

BN50 BN64

Rapid®



GB Cordless brad nailer

DE Akku-nagler

FR Cloueur pour brads autonome a batterie

NL Accutacker

IT Chiodatrice cordless

ES Clavadora inalámbrica de puntas

PT Máquina sem fios para pregos sem cabeça

SE Batteridrivnen dykkertpistol

DK Ledningsfri dykkertpistol

NO Batteridrevet Dykkertpistol

FI Langaton viimeistelynaulain

PL Gwoździarka bezprzewodowa

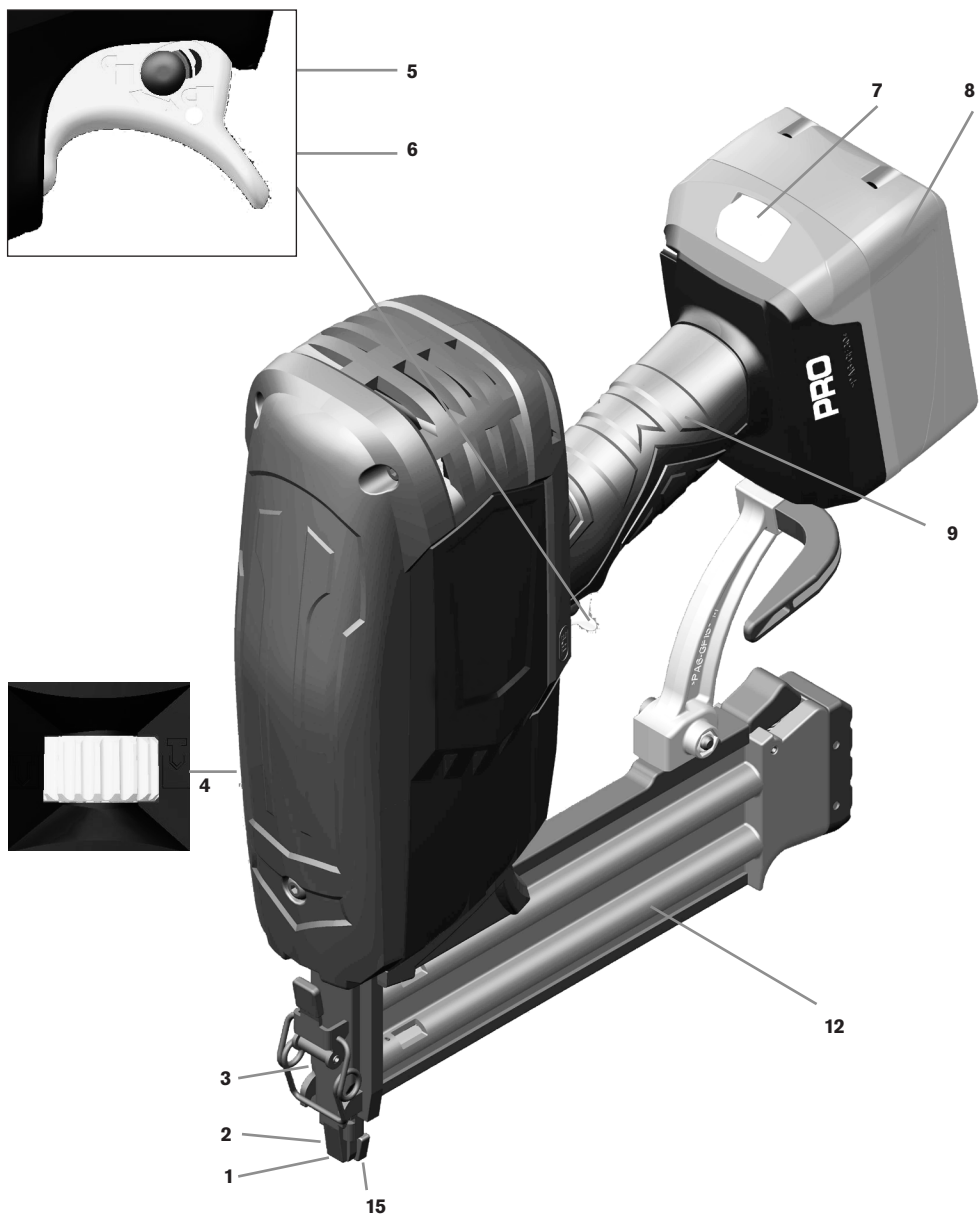
EE Juhtmeta naelapüstol

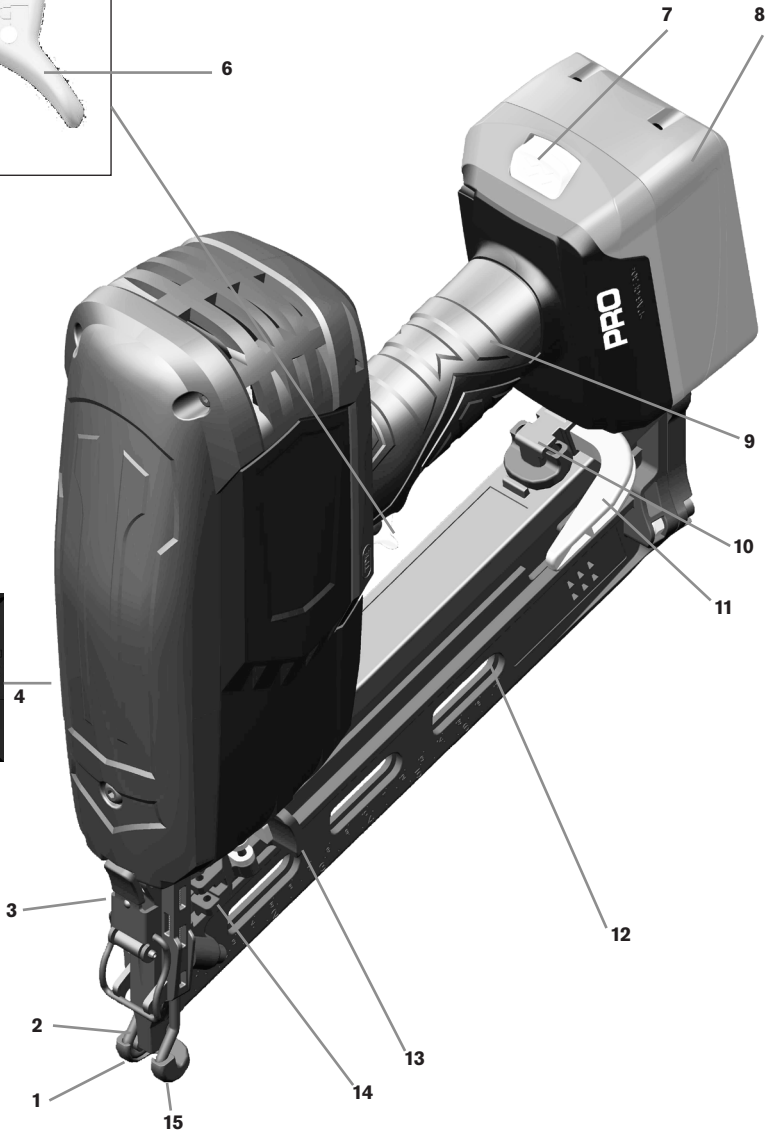
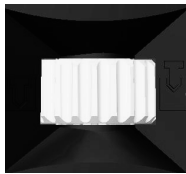
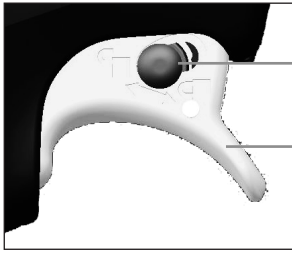
LT Akumulatorinis kabij kalimo pistoletas

TR Kablosuz başsız çivi tabancası

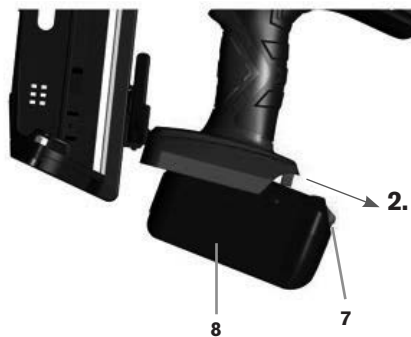
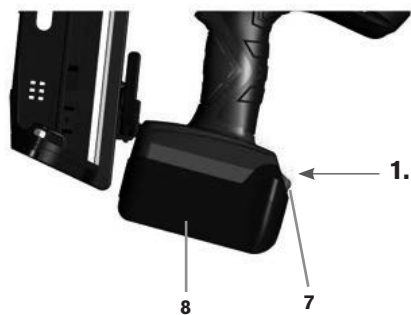
BN50 BN64

GB English, Original instructions	Page 8
DE Deutsch, Originalbetriebsanleitung	Seite 13
FR Français	Page 19
NL Nederlands	Pagina 25
IT Italiano	Pagina 31
ES Español	Página 37
PT Português	Página 43
SE Svenska	Sida 49
DA Dansk	Side 54
NO Norsk	Side 59
FI Suomi	Sivu 64
PL Polski	Strona 69
EE Eesti	Lehekülg 75
LT Lietuviškai	Puslapis 80
TR Türkçe	Sayfa 85

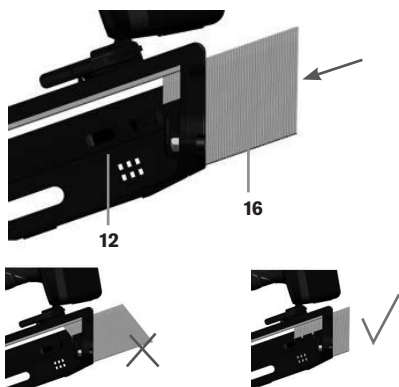




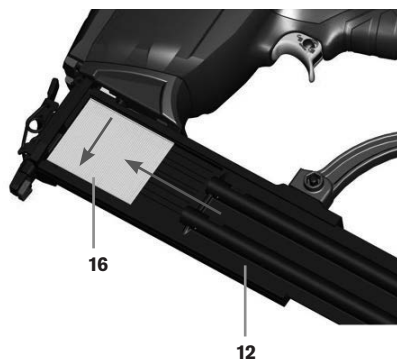
A



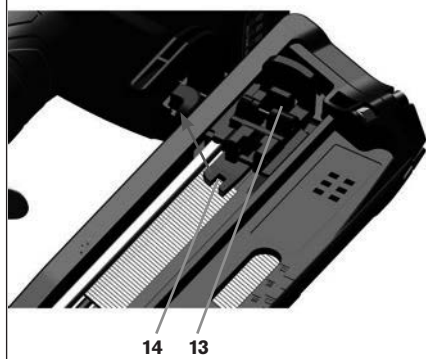
B1 (BN64)



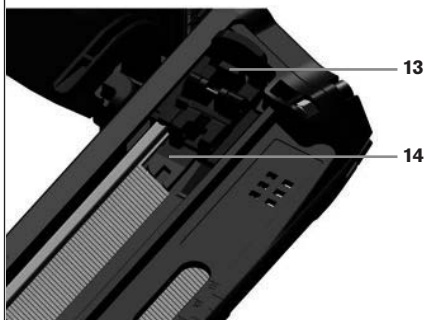
B2 (BN50)



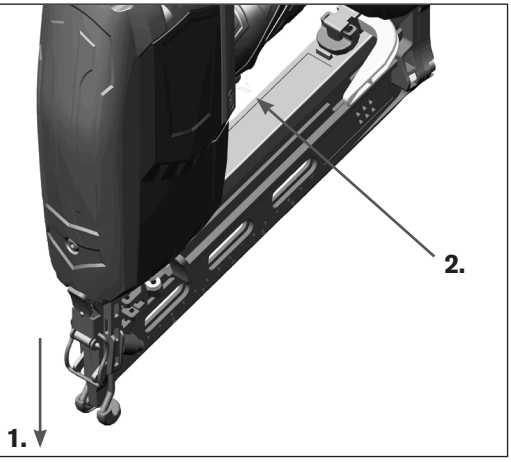
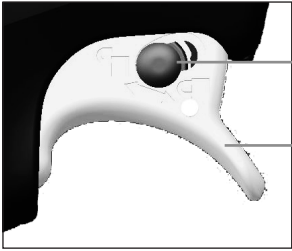
B3



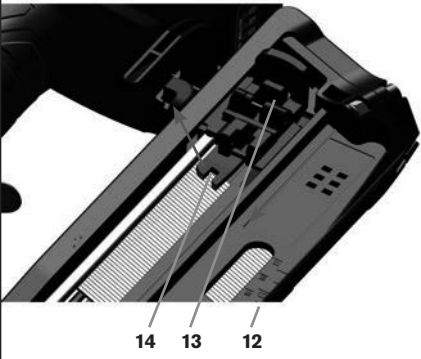
B4



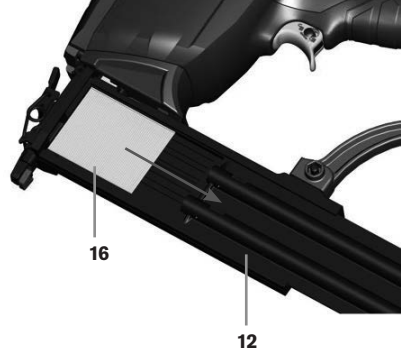
C



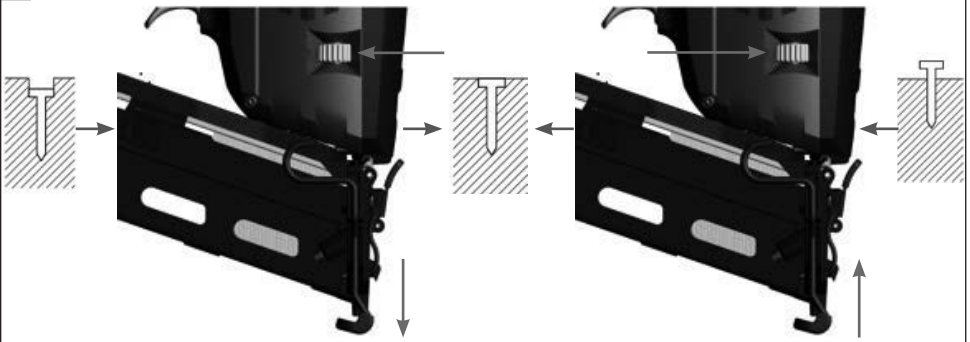
D1 (BN64)

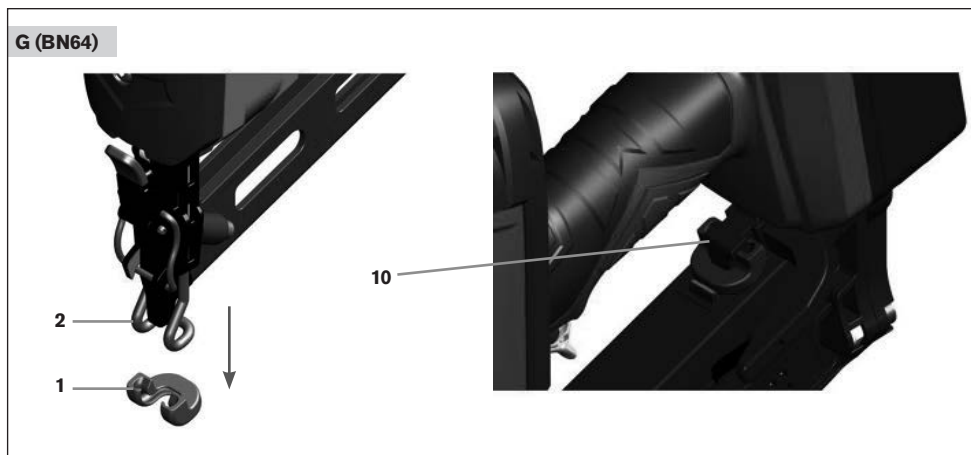
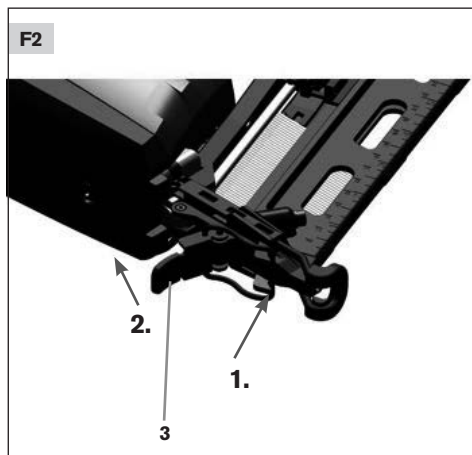
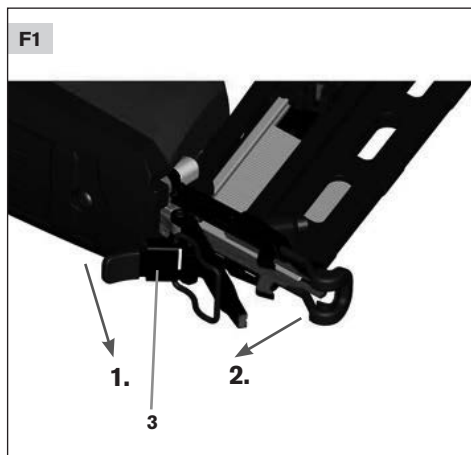


D2 (BN50)



E





English

Safety Notes

General Power Tool Safety Warnings



WARNING

Read all safety warnings and all instructions. Failure to follow the warnings and instructions may result in electric shock, fire and/or serious injury.

Save all warnings and instructions for future reference.

The term "power tool" in the warnings refers to your mainsoperated (corded) power tool or battery-operated (cordless) power tool.

Work area safety

- Keep work area clean and well lit. Cluttered or dark areas invite accidents.
- Do not operate power tools in explosive atmospheres, such as in the presence of flammable liquids, gases or dust. Power tools create sparks which may ignite the dust or fumes.
- Keep children and bystanders away while operating a power tool. Distractions can cause you to lose control.

Electrical safety

- Power tool plugs must match the outlet. Never modify the plug in any way. Do not use any adapter plugs with earthed (grounded) power tools. Unmodified plugs and matching outlets will reduce risk of electric shock.
- Avoid body contact with earthed or grounded surfaces, such as pipes, radiators, ranges and refrigerators. There is an increased risk of electric shock if your body is earthed or grounded.
- Do not expose power tools to rain or wet conditions. Water entering a power tool will increase the risk of electric shock.
- Do not abuse the cord. Never use the cord for carrying, pulling or unplugging the power tool. Keep cord away from heat, oil, sharp edges and moving parts. Damaged or entangled cords increase the risk of electric shock.
- When operating a power tool outdoors, use an extension cord suitable for outdoor use. Use of a cord suitable for outdoor use reduces the risk of electric shock.
- If operating a power tool in a damp location is unavoidable, use a residual current device (RCD) protected supply. Use of an RCD reduces the risk of electric shock.

Personal safety

- Stay alert, watch what you are doing and use common sense when operating a power tool. Do not use a power tool while you are tired or under the influence of drugs, alcohol or medication. A moment of inattention while operating power tools may result in serious personal injury.
- Use personal protective equipment. Always wear appropriate eye protection. Protective equipment such as dust mask, non-skid safety shoes, hard hat, or hearing protection used for appropriate conditions will reduce personal injuries.
- Prevent unintentional starting. Ensure the switch is in the off-position before connecting to power source and/or

battery pack, picking up or carrying the tool. Carrying power tools with your finger on the switch or energising power tools that have the switch on invites accidents.

- Remove any adjusting key or wrench before turning the power tool on. A wrench or a key left attached to a rotating part of the power tool may result in personal injury.
- Do not overreach. Keep proper footing and balance at all times. This enables better control of the power tool in unexpected situations.
- Dress properly. Do not wear loose clothing or jewellery. Keep your hair, clothing and gloves away from moving parts. Loose clothes, jewellery or long hair can be caught in moving parts.
- If devices are provided for the connection of dust extraction and collection facilities, ensure these are connected and properly used. Use of dust collection can reduce dust-related hazards.

Power tool use and care

- Do not force the power tool. Use the correct power tool for your application. The correct power tool will do the job better and safer at the rate for which it was designed.
- Do not use the power tool if the switch does not turn it on and off. Any power tool that cannot be controlled with the switch is dangerous and must be repaired.
- Disconnect the plug from the power source and/or the battery pack from the power tool before making any adjustments, changing accessories, or storing power tools. Such preventive safety measures reduce the risk of starting the power tool accidentally.
- Store idle power tools out of the reach of children and do not allow persons unfamiliar with the power tool or these instructions to operate the power tool. Power tools are dangerous in the hands of untrained users.
- Maintain power tools. Check for misalignment or binding of moving parts, breakage of parts and any other condition that may affect the power tool's operation. If damaged, have the power tool repaired before use. Many accidents are caused by poorly maintained power tools.
- Keep cutting tools sharp and clean. Properly maintained cutting tools with sharp cutting edges are less likely to bind and are easier to control.
- Use the power tool, accessories and tool bits etc. in accordance with these instructions, taking into account the working conditions and the work to be performed. Use of the power tool for operations different from those intended could result in a hazardous situation.

Battery tool use and care

- Recharge only with the charger specified by the manufacturer. A charger that is suitable for one type of battery pack may create a risk of fire when used with another battery pack.
- Use power tools only with specifically designated battery packs. Use of any other battery packs may create a risk of injury and fire.
- When battery pack is not in use, keep it away from other metal objects, like paper clips, coins, keys, nails, screws or other small metal objects, that can make a connection from one terminal to another. Shorting the battery terminals together may cause burns or a fire.

- Under abusive conditions, liquid may be ejected from the battery; avoid contact. If contact accidentally occurs, flush with water. If liquid contacts eyes, additionally seek medical help. Liquid ejected from the battery may cause irritation or burns.

Service

- Have your power tool serviced by a qualified repair person using only identical replacement parts. This will ensure that the safety of the power tool is maintained.

Safety Warnings for Cordless Tackers

- Always assume that the tool contains fasteners. Careless handling of the tacker can result in unexpected firing of fasteners and personal injury.
- Do not point the tool towards yourself or anyone nearby. Unexpected triggering will discharge the fastener causing an injury.
- Do not actuate the tool unless the tool is placed firmly against the workpiece. If the tool is not in contact with the workpiece, the fastener may be deflected away from your target.
- Disconnect the tool from the power source when the fastener jams in the tool. While removing a jammed fastener, the tacker may be accidentally activated if it is plugged in.
- Use caution while removing a jammed fastener. The mechanism may be under compression and the fastener may be forcefully discharged while attempting to free a jammed condition.
- Do not use this tacker for fastening electrical cables. It is not designed for electric cable installation and may damage the insulation of electric cables thereby causing electric shock or fire hazards.
- Use appropriate detectors to determine if utility lines are hidden in the work area or call the local utility company for assistance. Contact with electric lines can lead to fire and electric shock. Damaging a gas line can lead to explosion. Penetrating a water line causes property damage.
- Observe the conditions of the job site. It is possible that fasteners can burst through thin workpieces or be deflected when working in corners or against edges, and harm persons. Do not discharge fasteners through or into concrete, stone, thick metal or any material too hard for the fastener to penetrate.
- When working, hold the power tool in such a manner that your head and body cannot be injured in case of sudden kickback due to a malfunction of the energy supply or from hard objects/locations in the workpiece.
- Do not open the battery. Danger of short-circuiting.



Protect the battery against heat, e. g., against continuous intense sunlight, fire, water, and moisture. Danger of explosion.

- In case of damage and improper use of the battery, vapours may be emitted. Ventilate the area and seek medical help in case of complaints. The vapours can irritate the respiratory system.
- Use the battery only in conjunction with your Rapid product. This measure alone protects the battery against dangerous overload.

- The battery pack can be damaged by pointed objects such as nails or screwdrivers or by force applied externally. An internal short circuit can occur and the battery pack can burn, smoke, explode or overheat.

Product Description and Specifications



Read all safety warnings and all instructions.

Failure to follow the warnings and instructions may result in electric shock, fire and/or serious injury.

Intended Use

The power tool is intended for connecting work in roofing, encasing, battening, manufacturing wall and ceiling elements, wood facades, pallets, wood fences, noise-reduction walls and boxes.

Only the fasteners (nails, staples, etc.) specified in table "Technical Data" may be used.

Product Features

The numbering of the product features refers to the illustration of the machine on the graphics page.

- Non-marking rubber pad to protect the workpiece from scratching
- Safety yoke
- Quick-release lever for opening/closing the shot duct
- Thumbwheel for depth stop adjustment
- Switch for blocking the actuation system
- Trigger
- Battery unlocking button
- Battery pack
- Handle (insulated gripping surface)
- Storage for non-marking rubber pad
- Belt hook
- Magazine
- Magazine slider
- Nail pusher
- Outlet
- Nail strip*

* Accessories shown or described are not part of the standard delivery scope of the product. A complete overview of accessories can be found in our accessories program.

Technical Data

Cordless Brad Nailer	BN64	BN50
Fastener		
Type	16 Ga brad	18 Ga brad
Length	32-64mm	25-55mm
Diameter	1.6mm	1.26mm
Angle	20 °	Straight
Magazine capacity, max	110 pcs	110 pcs
Dimensions		
Height	297mm	281mm
Width	95mm	95mm
Length	329mm	321mm
Weight*	3.16 kg	3.10 kg
Battery type	Li-Ion	Li-Ion
Rated voltage	18 V DC	18 V DC
Capacity	2.0 Ah*	2.0 Ah*
Max. nailing speed	60 shots/min.	60 shots/min.
Operating capacity/full charge (continuous operation)	approx. 500 shots	approx. 500 shots
Time to recharge	50 min	50 min
Permitted temperatures		
Working temperature °C	-20 ... +60	-20 ... +60
Charging temperature °C	0 ... +40	0 ... +40
Storage temperature °C	-20 ... +25	-20 ... +25

Technical data determined with battery from delivery scope.

*Battery available in 3.0 Ah sold as separate part.

Noise/Vibration Information

Sound emission values determined according to EN 60745.

Typically the A-weighted noise levels of the product are:

Sound pressure level 92.9 dB(A); Sound power level 105.0 dB(A). Uncertainty K = 3 dB.



Wear hearing protection!

Vibration total values ah and uncertainty K determined according to EN 60745:ah<2.725m/s², K=1.5m/s².

The vibration level given in this information sheet has been measured in accordance with a standardised test given in EN 60745 and may be used to compare one tool with another. It may be used for a preliminary assessment of exposure.

The declared vibration emission level represents the main applications of the tool. However if the tool is used for different applications, with different accessories or insertion tools or is poorly maintained, the vibration emission may differ. This may significantly increase the exposure level over the total working period.

An estimation of the level of exposure to vibration should also take into account the times when the tool is switched off or when it is running but not actually doing the job. This may significantly reduce the exposure level over the total working

10

period.

Identify additional safety measures to protect the operator from the effects of vibration such as: maintain the tool and the accessories, keep the hands warm, organisation of work patterns.

Assembly

Battery Charging

- Use only the chargers listed in the technical data. Only these chargers are matched to the lithium-ion battery of your power tool.

Note: The battery supplied is partially charged. To ensure full capacity of the battery, completely charge the battery in the battery charger before using your power tool for the first time.

The lithium-ion battery can be charged at any time without reducing its service life. Interrupting the charging procedure does not damage the battery.

The "Electronic Cell Protection (ECP)" protects the lithiumion battery against deep discharging. When the battery is discharged, the power tool is switched off by a protective circuit: Fasteners can no longer be shot.



IMPORTANT

After the automatic shut-off of the power tool, do not continue to press the trigger. The battery could become damaged.

Observe the notes for disposal.

Removing the battery (see figure A)

The battery 8 has two locking levels, which are supposed to prevent the battery from falling out in case of vibrations from intensive use.

- Press battery unlocking button 7 (1.) and at the same time push the battery toward the front.
- Press the battery unlocking button 7 (2.) again and pull the battery out completely, toward the rear.

Loading the Magazine (see figures B1–B4)



Block the actuation system and remove the battery before making any adjustments, changing accessories, or placing the power tool aside. This safety measure prevents accidental starting of the power tool.

- Use only original Rapid accessories (see "Technical Data"). The precision parts of the power tool, such as the magazine, the outlet and the shot duct, are matched to Rapid staples, nails and brads. Other manufacturers use other steel qualities and sizes. Using fasteners not permitted can damage the power tool and cause injuries.

While loading the magazine, hold the power tool in such a manner that the outlet 15 is not pointed at your own body or at other persons.

- Clean the magazine slider 13 as required and make sure that the magazine 12 is not dirty/soiled.
- Insert a fitting nail strip 16 in the T-slot at the end of the magazine 12.

- Press the pretensioned nail pusher 14 against the magazine slider 13 and at the same time, pull the magazine slider completely to the end of the magazine 12.

Note: The magazine slider must slide back with only low force (finger-pressure). A tight-running magazine slider causes the nails to be driven in at an incorrect angle.

- With the nail pusher 14 pressed, carefully guide the magazine slider 13 toward the front until the nail pusher is over the last nail, thus pushing the nail strip in the magazine completely to the front.

Note: Do not let the magazine slider snap back without guiding it. Otherwise, the magazine slider could become damaged, and there is danger of your fingers being caught or pinched.

Operation

Actuation system

Single actuation with full sequence safety

With this actuation system, the safety yoke 2 must first be firmly pressed against the workpiece. A fastener is not discharged until the trigger 6 is pulled.

Afterwards, further discharging procedures can only be actuated, when the trigger and the safety yoke have first been set back to the starting position.

Starting Operation



Block the actuation system and remove the battery before making any adjustments, changing accessories, or placing the power tool aside. This safety measure prevents accidental starting of the power tool.

Inserting the battery

- Use only original Rapid lithium-ion batteries with the voltage listed on the nameplate of your power tool. Using other batteries can lead to injuries and pose a fire hazard.
- Insert the charged battery 8 into the handle until it can be felt to engage and faces flush against the handle.

Shooting Nails (see figure C)

- Firmly position the outlet 15 or the non-marking rubber pad 1 on the workpiece until safety yoke 2 is pressed in completely.
- Afterwards, briefly press trigger 6 and release again. A nail is discharged.
- Allow the power tool to bounce back from the workpiece.
- For another driving procedure (shot), completely lift the power tool from the workpiece and position it firmly at the next desired location.

Blocking the Actuation System

Block the actuation system 5 before making any adjustments on the power tool, changing accessories, placing the machine aside for longer breaks or after finishing work.

Working Advice



Block the actuation system and remove the battery before making any adjustments, changing accessories, or placing the power tool aside. This safety measure prevents accidental starting of the power tool.

Check the proper function of the safety and actuation devices, and the tight seating of all screws and nuts each time before using.

Disconnect a defective or not properly operating power tool immediately from of the power supply and contact an authorised service agent for Rapid power tools.

Do not perform any incorrect manipulations on the power tool. Do not disassemble or block any components of the power tool, such as the safety yoke.

Do not carry out "emergency repairs" with unsuitable means. The power tool is to be maintained regularly and properly (see "Maintenance and Cleaning").

Avoid any tampering and damage to the power tool, e. g. from:

- Imprinting or engraving,
- Retrofitting measures not approved by the manufacturer,
- Guiding along templates manufactured of hard material, e. g. steel,
- Dropping on or sliding over the floor,
- Using as a hammer,
- Applying any kind of force.

Make sure to check whatever is below or behind your workpiece. Do not shoot nails into walls, ceilings or floors, when persons are behind them. The nails can burst through the workpiece and injure someone.

Do not shoot a nail onto an already driven-in one. This could cause the nail to deform, the nails could become jammed or the power tool could move uncontrolled.

When the power tool is used under cold ambient conditions, the first nails will be driven in slower than usual. Once the power tool has warmed up during working, normal operating speed will be regained.

Avoid blank shots in order to reduce the wear of the impact striker.

For longer work breaks or after finishing work, block the actuation system and empty the magazine if possible.

Emptying the Magazine (see figures D1–D2)

- With the nail pusher 14 pressed, pull the magazine slider 13 to the rear until the last nail is free; then carefully guide the magazine slider toward the front to the beginning of the magazine 12.

Note: Do not let the magazine slider snap back without guiding it. Otherwise, the magazine slider could become damaged, and there is danger of your fingers being caught or pinched.

Adjusting the Depth Stop (see figure E)

The driving depth of the nails can be set with thumbwheel 4.

- Empty the magazine 12. (See "Emptying the Magazine")
- **Nails are driven in too deeply:**
To reduce the driving depth, turn thumbwheel 4 in anticlockwise direction.
- **Nails are not driven in deep enough:**
To increase the driving depth, turn thumbwheel 4 in clockwise direction.
- Refill the magazine. (See "Loading the Magazine")
- Test the new driving depth on a test workpiece.
Repeat the worksteps as required.

Clearing Jams (see figures F1–F2)

Single nails can become jammed in the shot duct. If this should occur frequently, please contact an authorised service agent for Rapid power tools.

Note: When the driver blade does not return after clearing a jam, please contact an authorised service agent for Rapid power tools.

- Release the trigger 6.
- Block the actuation system (see "Blocking the Actuation System") and remove the battery 8.
- Empty the magazine 12. (See "Emptying the Magazine")
- Pull the quick-release hinge lever 3 down so that the shot duct opens.
- Remove the jammed nail. For this, use a pair of pliers, if required.
- Close the shot duct, hang the clip of the release hinge 3 into the hooks on the shot duct and then push the hinge lever up again.
- Refill the magazine. (See "Loading the Magazine")

Changing the Non-marking Rubber Pad (see figure G)

The non-marking rubber pad 1 at the end of the safety yoke 2 protects the workpiece until the power tool is correctly placed for the driving procedure.

The non-marking rubber pad can be removed and replaced.

- Pull the non-marking rubber pad from the safety yoke.
- Push the new non-marking rubber pad via the open end over the safety yoke.

Note: A spare non-marking rubber pad can be stored at the top or side of magazine 12. For this, push the non-marking rubber pad into the depot 10.

Transport and Storage

When transporting the power tool, block the actuation system (see "Blocking the Actuation System"), especially when using ladders or moving in an unusual stance or posture.

At the workplace, carry the power tool only by the handle 9 and with the trigger released 6.

Always store the power tool disconnected from the battery and at a dry and warm location.

When not using the power tool for a longer period of time, apply a fine oil coating to steel parts. This prevents the formation of rust.

Maintenance and Service

Maintenance and Cleaning



Block the actuation system and remove the battery before making any adjustments, changing accessories, or placing the power tool aside. This safety measure prevents accidental starting of the power tool.

- For safe and proper working, always keep the machine and ventilation slots clean.

Maintenance Schedule

Clean the magazine 12. Remove any plastic or wood chips that may accumulate in the magazine during operation.

Clean the power tool in regular intervals using compressed air.

Transport

The contained lithium-ion batteries are subject to the Dangerous Goods Legislation requirements. The user can transport the batteries by road without further requirements.

When being transported by third parties (e.g.: air transport or forwarding agency), special requirements on packaging and labelling must be observed. For preparation of the item being shipped, consulting an expert for hazardous material is required.

Dispatch batteries only when the housing is undamaged. Tape or mask off open contacts and pack up the battery in such a manner that it cannot move around in the packaging.

Please also observe possibly more detailed national regulations.

Disposal



The machine, rechargeable batteries, accessories and packaging should be sorted for environmental friendly recycling.

Do not dispose of power tools, battery chargers and batteries/rechargeable batteries into household waste!

Only for EC countries:



According to the European Guideline 2012/19/EU, power tools that are no longer usable, and according to the European Guideline 2006/66/EC, defective or used battery packs/batteries, must be collected separately and disposed of in an environmentally correct manner.

Deutsch

Sicherheitshinweise

Allgemeine Sicherheitshinweise für Elektrowerkzeuge



WARNUNG

Lesen Sie alle Sicherheitshinweise und Anweisungen.

Versäumnisse bei der Einhaltung der Sicherheitshinweise und Anweisungen können elektrischen Schlag, Brand und/oder schwere Verletzungen verursachen.

Bewahren Sie alle Sicherheitshinweise und Anweisungen für die Zukunft auf.

Der in den Sicherheitshinweisen verwendete Begriff „Elektrowerkzeug“ bezieht sich auf netzbetriebene Elektrowerkzeuge (mit Netzkabel) und auf akkubetriebene Elektrowerkzeuge (ohne Netzkabel).

Arbeitsplatzsicherheit

- Halten Sie Ihren Arbeitsbereich sauber und gut beleuchtet. Unordnung oder unbeleuchtete Arbeitsbereiche können zu Unfällen führen.
- Arbeiten Sie mit dem Elektrowerkzeug nicht in explosionsgefährdeter Umgebung, in der sich brennbare Flüssigkeiten, Gase oder Stäube befinden. Elektrowerkzeuge erzeugen Funken, die den Staub oder die Dämpfe entzünden können.
- Halten Sie Kinder und andere Personen während der Benutzung des Elektrowerkzeugs fern. Bei Ablenkung können Sie die Kontrolle über das Gerät verlieren.

Elektrische Sicherheit

- Der Anschlussstecker des Elektrowerkzeuges muss in die Steckdose passen. Der Stecker darf in keiner Weise verändert werden. Verwenden Sie keine Adapterstecker gemeinsam mit schutzgeerdeten Elektrowerkzeugen. Unveränderte Stecker und passende Steckdosen verringern das Risiko eines elektrischen Schlages.
- Vermeiden Sie Körperkontakt mit geerdeten Oberflächen wie von Rohren, Heizungen, Herden und Kühlschränken. Es besteht ein erhöhtes Risiko durch elektrischen Schlag, wenn Ihr Körper geerdet ist.
- Halten Sie Elektrowerkzeuge von Regen oder Nässe fern. Das Eindringen von Wasser in ein Elektrowerkzeug erhöht das Risiko eines elektrischen Schlages.
- Zwickentfremden Sie das Kabel nicht, um das Elektrowerkzeug zu tragen, aufzuhängen oder um den Stecker aus der Steckdose zu ziehen. Halten Sie das Kabel fern von Hitze, Öl, scharfen Kanten oder sich bewegenden Geräteteilen. Beschädigte oder verwinkelte Kabel erhöhen das Risiko eines elektrischen Schlages.
- Wenn Sie mit einem Elektrowerkzeug im Freien arbeiten, verwenden Sie nur Verlängerungskabel, die auch für den Außenbereich geeignet sind. Die Anwendung eines für den Außenbereich geeigneten Verlängerungskabels verringert das Risiko eines elektrischen Schlages.
- Wenn der Betrieb des Elektrowerkzeuges in feuchter Umgebung nicht vermeidbar ist, verwenden Sie einen Fehlerstromschutzschalter. Der Einsatz eines

Fehlerstromschutzschalters vermindert das Risiko eines elektrischen Schlages.

Sicherheit von Personen

- Seien Sie aufmerksam, achten Sie darauf, was Sie tun, und gehen Sie mit Vernunft an die Arbeit mit einem Elektrowerkzeug. Benutzen Sie kein Elektrowerkzeug, wenn Sie müde sind oder unter dem Einfluss von Drogen, Alkohol oder Medikamenten stehen. Ein Moment der Unachtsamkeit beim Gebrauch des Elektrowerkzeuges kann zu ernsthaften Verletzungen führen.
- Tragen Sie persönliche Schutzausrüstung und immer eine geeignete Schutzbrille. Das Tragen persönlicher Schutzausrüstung, wie Staubmaske, rutschfeste Sicherheitsschuhe, Schutzhelm oder Gehörschutz, je nach Art und Einsatz des Elektrowerkzeuges, verringert das Risiko von Verletzungen.
- Vermeiden Sie eine unbeabsichtigte Inbetriebnahme. Vergewissern Sie sich, dass das Elektrowerkzeug ausgeschaltet ist, bevor Sie es an die Stromversorgung und/oder den Akku anschließen, es aufnehmen oder tragen. Wenn Sie beim Tragen des Elektrowerkzeuges den Finger am Schalter haben oder das Gerät eingeschaltet an die Stromversorgung anschließen, kann dies zu Unfällen führen.
- Entfernen Sie Einstellwerkzeuge oder Schraubenschlüssel, bevor Sie das Elektrowerkzeug einschalten. Ein Werkzeug oder Schlüssel, der sich in einem drehenden Geräteteil befindet, kann zu Verletzungen führen.
- Vermeiden Sie eine abnormale Körperhaltung. Sorgen Sie für einen sicheren Stand und halten Sie jederzeit das Gleichgewicht. Dadurch können Sie das Elektrowerkzeug in unerwarteten Situationen besser kontrollieren.
- Tragen Sie geeignete Kleidung. Tragen Sie keine weite Kleidung oder Schmuck. Halten Sie Haare, Kleidung und Handschuhe fern von sich bewegenden Teilen. Lockere Kleidung, Schmuck oder lange Haare können von sich bewegenden Teilen erfasst werden.
- Wenn Staubabsaug- und -auffangeinrichtungen montiert werden können, vergewissern Sie sich, dass diese angeschlossen sind und richtig verwendet werden. Verwendung einer Staubabsaugung kann Gefährdungen durch Staub verringern.

Verwendung und Behandlung des Elektrowerkzeuges

- Überlasten Sie das Gerät nicht. Verwenden Sie für Ihre Arbeit das dafür bestimmte Elektrowerkzeug. Mit dem passenden Elektrowerkzeug arbeiten Sie besser und sicherer im angegebenen Leistungsbereich.
- Benutzen Sie kein Elektrowerkzeug, dessen Schalter defekt ist. Ein Elektrowerkzeug, das sich nicht mehr ein- oder ausschalten lässt, ist gefährlich und muss repariert werden.
- Ziehen Sie den Stecker aus der Steckdose und/oder entfernen Sie den Akku, bevor Sie Geräteeinstellungen vornehmen, Zubehöerteile wechseln oder das Gerät weglegen. Diese Vorsichtsmaßnahme verhindert den unbeabsichtigten Start des Elektrowerkzeuges.
- Bewahren Sie unbenutzte Elektrowerkzeuge außerhalb der Reichweite von Kindern auf. Lassen Sie Personen das Gerät nicht benutzen, die mit diesem nicht vertraut sind oder diese Anweisungen nicht gelesen haben. Elektrowerkzeuge sind gefährlich, wenn sie von unerfahrenen Personen benutzt werden.

- Pflegen Sie Elektrowerkzeuge mit Sorgfalt. Kontrollieren Sie, ob bewegliche Teile einwandfrei funktionieren und nicht klemmen, ob Teile gebrochen oder so beschädigt sind, dass die Funktion des Elektrowerkzeuges beeinträchtigt ist. Lassen Sie beschädigte Teile vor dem Einsatz des Gerätes reparieren. Viele Unfälle haben ihre Ursache in schlecht gewarteten Elektrowerkzeugen.
- Halten Sie Schneidwerkzeuge scharf und sauber. Sorgfältig gepflegte Schneidwerkzeuge mit scharfen Schneidkanten verkleben sich weniger und sind leichter zu führen.
- Verwenden Sie Elektrowerkzeug, Zubehör, Einsatzwerkzeuge usw. entsprechend diesen Anweisungen. Berücksichtigen Sie dabei die Arbeitsbedingungen und die auszuführende Tätigkeit. Der Gebrauch von Elektrowerkzeugen für andere als die vorgesehenen Anwendungen kann zu gefährlichen Situationen führen.
- Seien Sie vorsichtig beim Entfernen einer festsitzenden Klammer. Das System kann gespannt sein und die Klammer kräftig ausgestoßen werden, während Sie versuchen die Verklebung zu beseitigen.
- Verwenden Sie dieses Eintreibgerät nicht zur Befestigung von Elektroleitungen. Es ist nicht für die Installation von Elektroleitungen geeignet, kann die Isolierung von Elektrokabeln beschädigen und so elektrischen Schlag und Feuergefahren verursachen.
- Verwenden Sie geeignete Suchgeräte, um verborgene Versorgungsleitungen aufzuspüren, oder ziehen Sie die örtliche Versorgungsgesellschaft hinzu. Kontakt mit Elektroleitungen kann zu Feuer und elektrischem Schlag führen. Beschädigung einer Gasleitung kann zur Explosion führen. Eindringen in eine Wasserleitung verursacht Sachbeschädigung.

Verwendung und Behandlung des Akkuwerkzeuges

- Laden Sie die Akkus nur mit Ladegeräten auf, die vom Hersteller empfohlen werden. Durch ein Ladegerät, das für eine bestimmte Art von Akku geeignet ist, besteht Brandgefahr, wenn es mit anderen Akkus verwendet wird.
- Verwenden Sie nur die dafür vorgesehenen Akkus in den Elektrowerkzeugen. Der Gebrauch von anderen Akkus kann zu Verletzungen und Brandgefahr führen.
- Halten Sie den nicht benutzten Akku fern von Büroklammern, Münzen, Schlüsseln, Nägeln, Schrauben oder anderen kleinen Metallgegenständen, die eine Überbrückung der Kontakte verursachen könnten. Ein Kurzschluss zwischen den Akkukontakten kann Verbrennungen oder Feuer zur Folge haben.
- Bei falscher Anwendung kann Flüssigkeit aus dem Akku austreten. Vermeiden Sie den Kontakt damit. Bei zufälligem Kontakt mit Wasser abspülen. Wenn die Flüssigkeit in die Augen kommt, nehmen Sie zusätzlich ärztliche Hilfe in Anspruch. Austretende Akkufflüssigkeit kann zu Hautreizungen oder Verbrennungen führen.

Service

- Lassen Sie Ihr Elektrowerkzeug nur von qualifiziertem Fachpersonal und nur mit Original-Ersatzteilen reparieren. Damit wird sichergestellt, dass die Sicherheit des Elektrowerkzeuges erhalten bleibt.

Sicherheitshinweise für akkubetriebene Eintreibgeräte

- Gehen Sie immer davon aus, dass das Elektrowerkzeug Klammern enthält. Die sorglose Handhabung des Eintreibgerätes kann zum unerwarteten Ausschießen von Klammern führen und Sie verletzen.
- Zielen Sie mit dem Elektrowerkzeug nicht auf sich selbst oder andere Personen in der Nähe. Durch unerwartetes Auslösen wird eine Klammer ausgestoßen, was zu Verletzungen führen kann.
- Betätigen Sie das Elektrowerkzeug nicht, bevor es fest auf das Werkstück gesetzt ist. Wenn das Elektrowerkzeug keinen Kontakt mit dem Werkstück hat, kann die Klammer von der Befestigungsstelle abprallen.
- Trennen Sie das Elektrowerkzeug vom Netz oder vom Akku, wenn die Klammer im Elektrowerkzeug klemmt. Wenn das Eintreibgerät angeschlossen ist, kann es beim Entfernen einer verklebten Klammer versehentlich betätigt werden.

- Achten Sie auf die Arbeitsplatzverhältnisse. Eintreibgegenstände können eventuell dünne Werkstücke durchschlagen oder beim Arbeiten an Ecken und Kanten von Werkstücken abgleiten und dabei Personen gefährden. Treiben Sie Befestigungsmittel nicht durch oder in Beton, Stein, dickes Metall oder andere Materialien, die für das Befestigungsmittel zu hart sind.
- Halten Sie das Elektrowerkzeug beim Arbeiten so, dass Kopf und Körper nicht verletzt werden können bei einem möglichen Rückstoß infolge einer Störung der Energieversorgung oder von harten Stellen im Werkstück.
- Öffnen Sie den Akku nicht. Es besteht die Gefahr eines Kurzschlusses.
- Schützen Sie den Akku vor Hitze, z. B. auch vor dauernder Sonneneinstrahlung, Feuer, Wasser und Feuchtigkeit. Es besteht Explosionsgefahr.
- Bei Beschädigung und unsachgemäßem Gebrauch des Akkus können Dämpfe austreten. Führen Sie Frischluft zu und suchen Sie bei Beschwerden einen Arzt auf. Die Dämpfe können die Atemwege reizen.
- Verwenden Sie den Akku nur in Verbindung mit Ihrem Rapid Produkt. Nur so wird der Akku vor gefährlicher Überlastung geschützt.
- Durch spitze Gegenstände wie z.B. Nagel oder Schraubenzieher oder durch äußere Kräfteinwirkung kann der Akku beschädigt werden. Es kann zu einem internen Kurzschluss kommen und der Akku brennen, rauchen, explodieren oder überhitzen.



Schützen Sie den Akku vor Hitze, z. B. auch vor dauernder Sonneneinstrahlung, Feuer, Wasser und Feuchtigkeit. Es besteht Explosionsgefahr

Bei Beschädigung und unsachgemäßem Gebrauch des Akkus können Dämpfe austreten. Führen Sie Frischluft zu und suchen Sie bei Beschwerden einen Arzt auf. Die Dämpfe können die Atemwege reizen.



Lesen Sie alle Sicherheitshinweise und Anweisungen.

Versäumnisse bei der Einhaltung der Sicherheitshinweise und Anweisungen können elektrischen Schlag, Brand und/oder schwere Verletzungen verursachen.

Produkt- und Leistungsbeschreibung

Bestimmungsgemäßer Gebrauch

Das Elektrowerkzeug ist bestimmt für Verbindungsarbeiten bei Dachdeckerarbeiten, Schalungen und Lattungen sowie bei der Fertigung von Wand-/Deckenelementen, Holzfassaden, Paletten, Holzzäunen, Schallschutzwänden und Kisten.

Es dürfen nur die Eintreibgegenstände (Nägel, Klammern etc.) verwendet werden, die in der Tabelle „Technische Daten“ spezifiziert sind.

Abgebildete Komponenten

Die Nummerierung der abgebildeten Komponenten bezieht sich auf die Darstellung des Elektrowerkzeuges auf der Grafikseite.

- 1 Werkstückschoner
- 2 Auslösesicherung
- 3 Spannhebel zum Öffnen/Schließen des Schusskanals
- 4 Stellrad zur Tiefenanschlageinstellung
- 5 Schalter zum Sperren des Auslösesystems
- 6 Auslöser
- 7 Akku-Entriegelungstaste
- 8 Akku
- 9 Handgriff (isolierte Grifffläche)
- 10 Depot zur Aufbewahrung des Werkstückschoners
- 11 Gürtelhaken
- 12 Magazin
- 13 Magazinschieber
- 14 Nagelmitnehmer
- 15 Mündung
- 16 Nagelstreifen*

* Abgebildetes oder beschriebenes Zubehör gehört nicht zum Standard-Lieferumfang. Das vollständige Zubehör finden Sie in unserem Zubehörprogramm.

Technische Daten

Akku-Nagler	BN64	BN50
Befestigungsmittel		
Typ	16 Ga Nagel	18 Ga Nagel
Länge	32-64mm	25-55mm
Durchmesser	1.6mm	1.26mm
Winkel	20 °	Gerade
Magazinkapazität, max.	110 St.	110 St.
Maße		
Höhe	297mm	281mm
Breite	95mm	95mm
Länge	329mm	321mm
Gewicht*	3.16 kg	3.10 kg
Akku-Typ	Li-Ion	Li-Ion
Nennspannung	18 V DC	18 V DC
Kapazität	2.0 Ah*	2.0 Ah*
Max. Nagelgeschwindigkeit	60 Schuss/Min.	60 Schuss/Min.
Betriebskapazität/volle Ladung (Dauerbetrieb)	ca. 500 Schuss	ca. 500 Schuss
Aufladezeit	50 Minuten	50 Minuten
Zulässige Temperaturen		
Arbeitstemperatur °C	-20 ... +60	-20 ... +60
Ladetemperatur °C	0 ... +40	0 ... +40
Lagertemperatur °C	-20 ... +25	-20 ... +25

Technische Daten für im Lieferumfang enthaltenen Akku.

*Akku wahlweise auch als 3,0 Ah Version erhältlich.

Geräusch-/Vibrationsinformation

Geräuschemissionswerte ermittelt entsprechend EN 60745.

Der A-bewertete Geräuschpegel des Elektrowerkzeuges beträgt typischerweise: Schalldruckpegel 92,9 dB(A); Schalleistungspegel 105,0 dB(A). Unsicherheit K=3 dB.



Hörschutz tragen!

Schwingungsgesamtwerte a_h und Unsicherheit K ermittelt entsprechend EN 60745: $a_h < 2,725 \text{ m/s}^2$, $K = 1,5 \text{ m/s}^2$.

Der in diesen Anweisungen angegebene Schwingungspegel ist entsprechend einem in EN 60745 genormten Messverfahren gemessen worden und kann für den Vergleich von Elektrowerkzeugen miteinander verwendet werden. Er eignet sich auch für eine vorläufige Einschätzung der Schwingungsbelastung.

Der angegebene Schwingungspegel repräsentiert die hauptsächlichlichen Anwendungen des Elektrowerkzeuges. Wenn allerdings das Elektrowerkzeug für andere Anwendungen, mit unterschiedlichen Zubehören, mit abweichenden Einsatzwerkzeugen oder ungenügender Wartung eingesetzt wird, kann der Schwingungspegel abweichen. Dies kann die Schwingungsbelastung über den gesamten Arbeitszeitraum deutlich erhöhen.

Für eine genaue Abschätzung der Schwingungsbelastung sollten auch die Zeiten berücksichtigt werden, in denen das Gerät abgeschaltet ist oder zwar läuft, aber nicht tatsächlich im Einsatz ist. Dies kann die Schwingungsbelastung über den gesamten Arbeitszeitraum deutlich reduzieren. Legen Sie zusätzliche Sicherheitsmaßnahmen zum Schutz des Bedieners vor der Wirkung von Schwingungen fest wie zum Beispiel: Wartung von Elektrowerkzeug und Einsatzwerkzeugen, Warmhalten der Hände, Organisation der Arbeitsabläufe.

Montage

Akku laden

- Benutzen Sie nur die in den technischen Daten aufgeführten Ladegeräte. Nur diese Ladegeräte sind auf den bei Ihrem Elektrowerkzeug verwendeten Li-Ionen- Akku abgestimmt.

Hinweis: Der Akku wird teilgeladen ausgeliefert. Um die volle Leistung des Akkus zu gewährleisten, laden Sie vor dem ersten Einsatz den Akku vollständig im Ladegerät auf.

Der Li-Ionen-Akku kann jederzeit aufgeladen werden, ohne die Lebensdauer zu verkürzen. Eine Unterbrechung des Ladevorganges schädigt den Akku nicht.

Der Li-Ionen-Akku ist durch die „Electronic Cell Protection (ECP)“ gegen Tiefentladung geschützt. Bei entladenerem Akku wird das Elektrowerkzeug durch eine Schutzschaltung abgeschaltet: Es werden keine Eintreibgegenstände mehr ausgeschossen.



ACHTUNG

Drücken Sie nach dem automatischen Abschalten des Elektrowerkzeuges nicht weiter auf den Auslöser. Der Akku kann beschädigt werden.

Beachten Sie die Hinweise zur Entsorgung.

Akku entnehmen (siehe Bild A)

Der Akku 8 verfügt über zwei Verriegelungsstufen, die verhindern sollen, dass der Akku durch Vibrationen bei intensivem Gebrauch herausfällt.

- Drücken Sie auf die Entriegelungstaste 7 (1.) und schieben Sie gleichzeitig den Akku nach vorne.
- Drücken Sie nochmals die Entriegelungstaste 7 (2.) und ziehen Sie den Akku vollständig nach hinten heraus.

Magazin bestücken (siehe Bilder B1–B4)



Sperren Sie das Auslösesystem und entnehmen Sie den Akku, bevor Sie Geräteeinstellungen vornehmen, Zubehörteile wechseln oder das Elektrowerkzeug weglegen. Diese Vorsichtsmaßnahme verhindert den unbeabsichtigten Start des Elektrowerkzeugs.

- Verwenden Sie nur Original Rapid-Zubehör (siehe „Technische Daten“). Die Präzisionsteile des Elektrowerkzeugs wie Magazin, Mündung und Schusskanal sind auf Klammern, Nägel und Stifte von Rapid abgestimmt. Andere Hersteller verwenden andere Stahlqualitäten und Abmessungen. Die Verwendung von unzulässigen Eintreibgegenständen kann das Elektrowerkzeug beschädigen und Verletzungen verursachen.

Halten Sie das Elektrowerkzeug während des Bestückens des Magazins so, dass die Mündung 15 weder auf Ihren eigenen Körper noch auf andere Personen gerichtet ist.

- Reinigen Sie bei Bedarf den Magazinschieber 13 und stellen Sie sicher, dass das Magazin 12 nicht verschmutzt ist.
- Schieben Sie einen passenden Nagelstreifen 16 in den T-Schlitz am Ende des Magazins 12.
- Drücken Sie den vorgespannten Nagelmitnehmer 14 gegen den Magazinschieber 13 und ziehen Sie gleichzeitig den Magazinschieber ganz bis ans Ende des Magazins 12.

Hinweis: Der Magazinschieber muss sich ohne großen Kraftaufwand (nur mit Fingerkraft) zurückschieben lassen. Ein stramm laufender Magazinschieber bewirkt, dass die Nägel in einem falschen Winkel eingeschossen werden.

- Führen Sie den Magazinschieber 13 mit gedrücktem Nagelmitnehmer 14 vorsichtig nach vorne bis der Nagelmitnehmer über den letzten Nagel geschoben ist und schieben Sie dadurch den Nagelstreifen im Magazin ganz nach vorne.

Hinweis: Lassen Sie den Magazinschieber nicht ungeführt zurückschnappen. Der Magazinschieber könnte dabei beschädigt werden, und es besteht die Gefahr, dass Ihre Finger eingeklemmt werden.

Betrieb

Auslösesystem

Einzelauslösung mit Sicherungsfolge

Bei diesem Auslösesystem muss zuerst die Auslösesicherung 2 fest auf das Werkstück gesetzt werden. Ein Eintreibgegenstand wird erst dann ausgeschossen, wenn der Auslöser 6 gedrückt wird.

Danach können weitere Eintreibvorgänge nur dann ausgelöst werden, wenn der Auslöser und die Auslösesicherung zuvor wieder in die Ausgangslage versetzt worden sind.

Inbetriebnahme



Sperren Sie das Auslösesystem und entnehmen Sie den Akku, bevor Sie Geräteeinstellungen vornehmen, Zubehörteile wechseln oder das Elektrowerkzeug weglegen. Diese Vorsichtsmaßnahme verhindert den unbeabsichtigten Start des Elektrowerkzeugs.

Akku einsetzen

- Verwenden Sie nur original Rapid Li-Ionen-Akkus mit der auf dem Typenschild Ihres Elektrowerkzeugs angegebenen Spannung. Der Gebrauch von anderen Akkus kann zu Verletzungen und Brandgefahr führen.
- Setzen Sie den geladenen Akku 8 in den Griff ein, bis dieser spürbar einrastet und bündig am Griff anliegt.

Nägel ausschießen (siehe Bild C)

- Setzen Sie die Mündung 15 oder ggf. den gummierten Werkstückschoner 1 fest auf das Werkstück auf, bis die Auslösesicherung 2 ganz eingedrückt ist.
- Drücken Sie anschließend kurz den Auslöser 6 und lassen ihn wieder los. Dabei wird ein Nagel ausgeschossen.
- Lassen Sie das Elektrowerkzeug vom Werkstück zurückprallen.
- Für einen weiteren Eintreibvorgang heben Sie das Elektrowerkzeug ganz vom Werkstück ab und setzen es an der nächsten gewünschten Stelle wieder fest auf.

Auslösesystem sperren

Sperren Sie das Auslösesystem 5, bevor Sie Geräteeinstellungen vornehmen, Zubehörteile wechseln, das Elektrowerkzeug bei längeren Arbeitspausen weglegen oder am Arbeitsende.

Arbeitshinweise



Sperren Sie das Auslösesystem und entnehmen Sie den Akku, bevor Sie Geräteeinstellungen vornehmen, Zubehörteile wechseln oder das Elektrowerkzeug weglegen. Diese Vorsichtsmaßnahme verhindert den unbeabsichtigten Start des Elektrowerkzeugs.

Prüfen Sie vor jedem Arbeitsbeginn die einwandfreie Funktion der Sicherheits- und Auslöseeinrichtungen sowie den festen Sitz aller Schrauben und Muttern.

Trennen Sie ein defektes oder nicht einwandfrei arbeitendes Elektrowerkzeug sofort von der Energiezufuhr und kontaktieren Sie eine autorisierte Rapid-Kundendienststelle.

Führen Sie keine unvorschriftsmäßigen Manipulationen am Elektrowerkzeug durch. Demontieren oder blockieren Sie keine Teile des Elektrowerkzeugs, wie z.B. die Auslösesicherung.

Führen Sie keine „Notreparaturen“ mit ungeeigneten Mitteln durch. Das Elektrowerkzeug ist regelmäßig und sachgerecht zu warten (siehe „Wartung und Reinigung“).

Vermeiden Sie jegliche Schwächung und Beschädigung des Elektrowerkzeugs, z.B. durch:

- Einschlagen oder Eingravieren,
- vom Hersteller nicht zugelassene Umbaumaßnahmen,

- Führen an Schablonen, die aus hartem Material, z.B. Stahl, gefertigt sind,
- Fallenlassen auf oder Schieben über den Fußboden,
- Handhabung als Hammer,
- jede Art von Gewalteinwirkung.

Vergewissern Sie sich, was sich unter oder hinter Ihrem Werkstück befindet. Schießen Sie keine Nägel in Wände, Decken oder Fußböden, wenn sich dahinter Personen befinden. Die Nägel können das Werkstück durchschlagen und jemanden verletzen.

Schießen Sie keinen Nagel auf einen bereits eingetriebenen Nagel. Dabei kann sich der Nagel verformen, die Nägel können sich verklemmen oder das Elektrowerkzeug kann sich unkontrolliert bewegen.

Wird das Elektrowerkzeug bei kalten Umgebungsbedingungen eingesetzt, werden die ersten Nägel langsamer als üblich eingetrieben. Nachdem sich das Elektrowerkzeug während des Arbeitens erwärmt hat, ist eine normale Arbeitsgeschwindigkeit wieder möglich.

Vermeiden Sie Leerschüsse, um den Verschleiß des Schlagstempels zu vermindern.

Sperren Sie bei längeren Arbeitspausen oder am Arbeitsende das Auslösesystem und entleeren Sie möglichst das Magazin.

Magazin entleeren (siehe Bilder D1–D2)

- Ziehen Sie den Magazinschieber 13 mit gedrücktem Nagelmitnehmer 14 nach hinten bis der Nagelmitnehmer den letzten Nagel freigibt und führen Sie dann den Magazinschieber vorsichtig nach vorne bis zum Anfang des Magazins 12.

Hinweis: Lassen Sie den Magazinschieber nicht ungeführt zurückschnappen. Der Magazinschieber könnte dabei beschädigt werden, und es besteht die Gefahr, dass Ihre Finger eingeklemmt werden.

Tiefenschlag einstellen (siehe Bild E)

Die Einschlagtiefe der Nägel kann mit dem Stellrad 4 eingestellt werden.

- Entleeren Sie das Magazin 12. (siehe „Magazin entleeren“)
- **Nägel werden zu tief eingeschossen:**
Um die Einschlagtiefe zu reduzieren, drehen Sie das Stellrad 4 gegen den Uhrzeigersinn.
oder
- **Nägel werden nicht tief genug eingeschossen:**
Um die Einschlagtiefe zu erhöhen, drehen Sie das Stellrad 4 im Uhrzeigersinn.
- Bestücken Sie das Magazin wieder. (siehe „Magazin bestücken“)
- Testen Sie die neue Einschlagtiefe an einem Probewerkstück. Wiederholen Sie gegebenenfalls die Arbeitsschritte.

Verklebungen lösen (siehe Bilder F1–F2)

Einzelne Nägel können sich im Schusskanal verklemmen. Sollte dies häufiger vorkommen, kontaktieren Sie eine autorisierte Rapid-Kundendienststelle.

Hinweis: Wenn der Schlagstempel nach dem Lösen der Verklebung nicht mehr zurückfährt, kontaktieren Sie eine autorisierte Rapid-Kundendienststelle.

- Lassen Sie den Auslöser 6 los.
- Sperren Sie das Auslösesystem (siehe „Auslösesystem sperren“) und entnehmen Sie den Akku 8.
- Entleeren Sie das Magazin 12. (siehe „Magazin entleeren“)
- Drücken Sie den Spannhebel 3 nach unten, so dass sich der Schusskanal öffnen lässt.
- Entfernen Sie den verklemmten Nagel. Verwenden Sie dazu bei Bedarf eine Zange.
- Schließen Sie den Schusskanal, hängen Sie den Bügel des Spannhebels 3 in die Haken am Schusskanal und drücken Sie dann den Spannhebel wieder nach oben.
- Bestücken Sie das Magazin wieder. (siehe „Magazin bestücken“)

Werkstückschoner wechseln (siehe Bild G)

Der Werkstückschoner 1 am Ende der Auslösesicherung 2 schützt das Werkstück, bis das Elektrowerkzeug für den Eintreibvorgang richtig platziert ist.

Der Werkstückschoner kann entfernt und ersetzt werden.

- Ziehen Sie den Werkstückschoner von der Auslösesicherung.
- Schieben Sie den neuen Werkstückschoner mit dem offenen Ende über die Auslösesicherung.

Hinweis: Ein Ersatz-Werkstückschoner kann an der Oberseite des Magazins 12 aufbewahrt werden. Schieben Sie dazu den Werkstückschoner in das Depot 10.

Transport und Aufbewahrung

Sperren Sie zum Transportieren des Elektrowerkzeugs das Auslösesystem (siehe „Auslösesystem sperren“), insbesondere wenn Sie Leitern benutzen oder sich in ungewohnter Körperhaltung fortbewegen.

Tragen Sie das Elektrowerkzeug am Arbeitsplatz nur am Handgriff 9 und mit nicht betätigtem Auslöser 6.

Bewahren Sie das Elektrowerkzeug immer vom Akku getrennt und an einem trockenen, warmen Ort auf.

Wenn das Elektrowerkzeug längere Zeit nicht benutzt werden soll, überziehen Sie die Werkzeuteile aus Stahl mit einer feinen Ölschicht. Dies verhindert die Anlagerung von Rost.

Wartung und Service

Wartung und Reinigung



Sperren Sie das Auslösesystem und entnehmen Sie den Akku, bevor Sie Geräteeinstellungen vornehmen, Zubehörteile wechseln oder das Elektrowerkzeug weglegen. Diese Vorsichtsmaßnahme verhindert den unbeabsichtigten Start des Elektrowerkzeugs.

- Halten Sie das Elektrowerkzeug und die Lüftungsschlitze sauber, um gut und sicher zu arbeiten.

Instandhaltungsplan

Reinigen Sie das Magazin 12. Entfernen Sie Plastik- oder Holzspäne, die sich während des Arbeitens im Magazin ansammeln können.

Reinigen Sie das Elektrowerkzeug in regelmäßigen Abständen mit Hilfe von Druckluft.

Transport

Die enthaltenen Li-Ionen-Akkus unterliegen den Anforderungen des Gefahrgutrechts. Die Akkus können durch den Benutzer ohne weitere Auflagen auf der Straße transportiert werden.

Beim Versand durch Dritte (z.B.: Lufttransport oder Spedition) sind besondere Anforderungen an Verpackung und Kennzeichnung zu beachten. Hier muss bei der Vorbereitung des Versandstückes ein Gefahrgut-Experte hinzugezogen werden.

Versenden Sie Akkus nur, wenn das Gehäuse unbeschädigt ist. Kleben Sie offene Kontakte ab und verpacken Sie den Akku so, dass er sich nicht in der Verpackung bewegt.

Bitte beachten Sie auch eventuelle weiterführende nationale Vorschriften.

Entsorgung



Elektrowerkzeuge, Akkus, Zubehör und Verpackungen sollen einer umweltgerechten Wiederverwertung zugeführt werden. Werfen Sie Elektrowerkzeuge, Ladegeräte und Akkus/Batterien nicht in den Hausmüll!!

Nur für EU-Länder:



Gemäß der europäischen Richtlinie 2012/19/EU müssen nicht mehr gebrauchsfähige Elektrowerkzeuge und gemäß der europäischen Richtlinie 2006/66/EG müssen defekte oder verbrauchte Akkus/Batterien getrennt gesammelt und einer umweltgerechten Wiederverwendung zugeführt werden.

Français

Avertissements de sécurité

Avertissements de sécurité généraux pour l'outil



AVERTISSEMENT

Lire tous les avertissements de sécurité et toutes les instructions. Ne pas suivre les avertissements et instructions peut donner lieu à un choc électrique, un incendie et/ou une blessure sérieuse.

Conserver tous les avertissements et toutes les instructions pour pouvoir s'y reporter ultérieurement.

Le terme « outil » dans les avertissements fait référence à votre outil électrique alimenté par le secteur (avec cordon d'alimentation) ou votre outil fonctionnant sur batterie (sans cordon d'alimentation).

Sécurité de la zone de travail

- Conserver la zone de travail propre et bien éclairée. Les zones en désordre ou sombres sont propices aux accidents.
- Ne pas faire fonctionner les outils électriques en atmosphère explosive, par exemple en présence de liquides inflammables, de gaz ou de poussières. Les outils électriques produisent des étincelles qui peuvent enflammer les poussières ou les fumées.
- Maintenir les enfants et les personnes présentes à l'écart pendant l'utilisation de l'outil. Les distractions peuvent vous faire perdre le contrôle de l'outil.

Sécurité électrique

- Il faut que les fiches de l'outil électrique soient adaptées au socle. Ne jamais modifier la fiche de quelque façon que ce soit. Ne pas utiliser d'adaptateurs avec des outils à branchement de terre. Des fiches non modifiées et des socles adaptés réduiront le risque de choc électrique.
- Éviter tout contact du corps avec des surfaces reliées à la terre telles que les tuyaux, les radiateurs, les cuisinières et les réfrigérateurs. Il existe un risque accru de choc électrique si votre corps est relié à la terre.
- Ne pas exposer les outils à la pluie ou à des conditions humides. La pénétration d'eau à l'intérieur d'un outil augmentera le risque de choc électrique.
- Ne pas maltraiter le cordon. Ne jamais utiliser le cordon pour porter, tirer ou débrancher l'outil. Maintenir le cordon à l'écart de la chaleur, du lubrifiant, des arêtes ou des parties en mouvement. Les cordons endommagés ou emmêlés augmentent le risque de choc électrique.
- Lorsqu'on utilise un outil à l'extérieur, utiliser un prolongateur adapté à l'utilisation extérieure. L'utilisation d'un cordon adapté à l'utilisation extérieure réduit le risque de choc électrique.
- Si l'usage d'un outil dans un emplacement humide est inévitable, utiliser une alimentation protégée par un dispositif à courant différentiel résiduel (RCD). L'usage d'un RCD réduit le risque de choc électrique.

Sécurité des personnes

- Rester vigilant, regarder ce que vous êtes en train de faire et faire preuve de bon sens dans l'utilisation de l'outil. Ne pas utiliser un outil lorsque vous êtes fatigué ou sous l'emprise de drogues, d'alcool ou de médicaments. Un moment d'inattention en cours d'utilisation d'un outil peut entraîner des blessures graves des personnes.
- Utiliser un équipement de sécurité. Toujours porter une protection pour les yeux. Les équipements de sécurité tels que les masques contre les poussières, les chaussures de sécurité antidérapantes, les casques ou les protections acoustiques utilisés pour les conditions appropriées réduiront les blessures des personnes.
- Éviter tout démarrage intempestif. S'assurer que l'interrupteur est en position arrêt avant de brancher l'outil au secteur et/ou au bloc de batteries, de le ramasser ou de le porter. Porter les outils en ayant le doigt sur l'interrupteur ou brancher des outils dont l'interrupteur est en position marche est source d'accidents.
- Retirer toute clé de réglage avant de mettre l'outil en marche. Une clé laissée fixée sur une partie tournante de l'outil peut donner lieu à des blessures de personnes.
- Ne pas se précipiter. Garder une position et un équilibre adaptés à tout moment. Cela permet un meilleur contrôle de l'outil dans des situations inattendues.
- S'habiller de manière adaptée. Ne pas porter de vêtements amples ou de bijoux. Garder les cheveux, les vêtements et les gants à distance des parties en mouvement. Des vêtements amples, des bijoux ou les cheveux longs peuvent être pris dans des parties en mouvement.
- Si des dispositifs sont fournis pour le raccordement d'équipements pour l'extraction et la récupération des poussières, s'assurer qu'ils sont connectés et correctement utilisés. Utiliser des collecteurs de poussière peut réduire les risques dus aux poussières.

Utilisation et entretien de l'outil

- Ne pas forcer l'outil. Utiliser l'outil adapté à votre application. L'outil adapté réalisera mieux le travail et de manière plus sûre au régime pour lequel il a été construit.
- Ne pas utiliser l'outil si l'interrupteur ne permet pas de passer de l'état de marche à arrêt et vice versa. Tout outil qui ne peut pas être commandé par l'interrupteur est dangereux et il faut le faire réparer.
- Débrancher la fiche de la source d'alimentation en courant et/ou le bloc de batteries de l'outil avant tout réglage, changement d'accessoires ou avant de ranger l'outil. De telles mesures de sécurité préventives réduisent le risque de démarrage accidentel de l'outil.
- Conserver les outils à l'arrêt hors de la portée des enfants et ne pas permettre à des personnes ne connaissant pas l'outil ou les présentes instructions de le faire fonctionner. Les outils sont dangereux entre les mains d'utilisateurs novices.
- Observer la maintenance de l'outil. Vérifier qu'il n'y a pas de mauvais alignement ou de blocage des parties mobiles, des pièces cassées ou toute autre condition pouvant affecter le fonctionnement de l'outil. En cas de dommages, faire réparer l'outil avant de l'utiliser. De nombreux accidents sont dus à des outils mal entretenus.
- Garder affûtés et propres les outils permettant de couper. Des outils destinés à couper correctement entretenus avec

des pièces coupantes tranchantes sont moins susceptibles de bloquer et sont plus faciles à contrôler.

- Utiliser l'outil, les accessoires et les lames etc., conformément à ces instructions, en tenant compte des conditions de travail et du travail à réaliser. L'utilisation de l'outil pour des opérations différentes de celles prévues pourrait donner lieu à des situations dangereuses.

Utilisation des outils fonctionnant sur batteries et précautions d'emploi

- Ne recharger qu'avec le chargeur spécifié par le fabricant. Un chargeur qui est adapté à un type de bloc de batteries peut créer un risque de feu lorsqu'il est utilisé avec un autre type de bloc de batteries.
- N'utiliser les outils qu'avec des blocs de batteries spécifiquement désignés. L'utilisation de tout autre bloc de batteries peut créer un risque de blessure et de feu.
- Lorsqu'un bloc de batteries n'est pas utilisé, le maintenir à l'écart de tout autre objet métallique, par exemple trombones, pièces de monnaie, clés, clous, vis ou autres objets de petite taille qui peuvent donner lieu à une connexion d'une borne à une autre. Le court-circuitage des bornes d'une batterie entre elles peut causer des brûlures ou un feu.
- Dans de mauvaises conditions, du liquide peut être éjecté de la batterie ; éviter tout contact. En cas de contact accidentel, nettoyer à l'eau. Si le liquide entre en contact avec les yeux, rechercher en plus une aide médicale. Le liquide éjecté des batteries peut causer des irritations ou des brûlures.

Maintenance et entretien

- Faire entretenir l'outil par un réparateur qualifié utilisant uniquement des pièces de rechange identiques. Cela assurera que la sécurité de l'outil est maintenue.

Consignes de sécurité pour agrafeuses clouées fonctionnant sur accus

- Toujours supposer que l'outil contient des éléments de fixation. Une manipulation sans précaution de l'agrafeuse peut donner lieu à une éjection intempestive d'éléments de fixation et à des accidents corporels.
- Ne pas diriger l'outil vers vous-même ou vers quiconque à proximité. Un déclenchement intempestif déchargera l'élément de fixation en provoquant une blessure.
- Ne pas actionner l'outil tant que celui-ci n'est pas fermement placé contre la pièce à usiner. Si l'outil n'est pas en contact avec la pièce à usiner, l'élément de fixation peut être dévié de la cible.
- Débrancher l'outil de la source de puissance lorsque l'élément de fixation se coince dans l'outil. Lors du retrait d'un élément de fixation coincé, l'agrafeuse, si elle est branchée, peut être accidentellement activée.
- Prendre des précautions en retirant un élément de fixation coincé. Le mécanisme peut être sous compression et l'élément de fixation peut être éjecté violemment lorsque l'on tente de le dégager de son état bloqué.
- Ne pas utiliser cette agrafeuse pour la fixation des câbles électriques. Elle n'est pas conçue pour l'installation des câbles électriques et peut endommager l'isolant des câbles électriques en provoquant ainsi un choc électrique ou des risques d'incendie.

- Utiliser des détecteurs appropriés afin de déceler des conduites cachées ou consulter les entreprises d'approvisionnement locales. Un contact avec des conduites d'électricité peut provoquer un incendie ou un choc électrique. Un endommagement d'une conduite de gaz peut provoquer une explosion. La perforation d'une conduite d'eau provoque des dégâts matériels.
- Prenez garde aux conditions régnant sur le lieu de travail. Les agrafes et les clous projetés peuvent éventuellement traverser des pièces minces ou lors d'un travail sur arête ou en coin, ils peuvent déraiper et représentent un risque de blessure pour les personnes présentes.
- Maintenir l'outil électrique pendant le travail de manière à protéger votre tête et votre corps contre toute blessure éventuelle en cas de rebond dû à un défaut sur l'alimentation électrique ou provoqué par la présence de parties plus dures sur la pièce à usiner.
- Ne pas ouvrir l'accu. Risque de court-circuit.



Protéger l'accu de toute source de chaleur, comme p. ex. l'exposition directe au soleil, au feu, à l'eau et à l'humidité. Il y a risque d'explosion

- En cas d'endommagement et d'utilisation non conforme de l'accu, des vapeurs peuvent s'échapper. Ventiler le lieu de travail et, en cas de malaises, consulter un médecin. Les vapeurs peuvent entraîner des irritations des voies respiratoires.
- N'utilisez l'accumulateur qu'avec votre produit Rapid. Ceci protège l'accumulateur contre une surcharge dangereuse.
- Les objets pointus (clou, tournevis, etc.) et les forces extérieures exercées sur le boîtier risquent d'endommager l'accu. Il peut en résulter un court-circuit interne et l'accu risque de s'enflammer, de dégager des fumées, d'exploser ou de surchauffer.

Description et performances du produit



Il est impératif de lire toutes les consignes de sécurité et toutes les instructions

Le non-respect des avertissements et instructions indiqués ci-après peut conduire à une électrocution, un incendie et/ou de graves blessures.

Utilisation conforme

Cet outil électroportatif est conçu pour réaliser des travaux d'assemblage lors de travaux de couverture de toitures, coffrages et lattis ainsi que pour la fabrication d'éléments muraux et de plafonds, façades en bois, palettes, clôtures en bois, de parois d'isolation acoustique et de caisses.

Seule l'utilisation des types d'agrafes et de clous spécifiés dans le tableau « Caractéristiques techniques » est autorisée.

Eléments de l'appareil

La numérotation des éléments de l'appareil se réfère à la représentation de l'outil électroportatif sur la page graphique

- 1 Protège-pièce
- 2 Protection de déclenchement
- 3 Levier de serrage pour l'ouverture/la fermeture du canal d'éjection
- 4 Molette de réglage de la butée de profondeur
- 5 Interrupteur de blocage du système de déclenchement
- 6 Déclencheur
- 7 Touche de déverrouillage de l'accumulateur
- 8 Accu
- 9 Poignée (surface de préhension isolante)
- 10 Logement pour le rangement du protège-pièce
- 11 Crochet pour ceinture
- 12 Magasin
- 13 Tige-poussoir du magasin
- 14 Toc d'entraînement des clous
- 15 Nez de la machine
- 16 Bande de clous*

* Les accessoires décrits ou illustrés ne sont pas tous compris dans la fourniture. Vous trouverez les accessoires complets dans notre programme d'accessoires.

Caractéristiques techniques

Cloueuse sans fil	BN64	BN50
Fixation		
Type	16 Ga sans tête	18 Ga sans tête
Longueur	32-64mm	25-55mm
Diamètre	1,6mm	1,26mm
Angle	20°	Droit
Capacité du magasin. max	110 pcs	110 pcs
Dimensions		
Hauteur	297mm	281mm
Largeur	95mm	95mm
Longueur	329mm	321mm
Poids*	3,16 kg	3,10 kg
Type de batterie	Li-Ion	Li-Ion
Tension nominale	18 V DC	18 V DC
Capacité	2,0 Ah*	2,0 Ah*
Vitesse de clouage max.	60 coups/min.	60 coups/min.
Capacité de fonctionnement/charge complète (utilisation continue)	env. 500 coups	env. 500 coups
Durée de recharge	50 min	50 min
Températures admissibles		
Température de travail °C	-20 ... +60	-20 ... +60
Température de charge °C	0 ... +40	0 ... +40
Température de stockage °C	-20 ... +25	-20 ... +25

Données techniques déterminées avec une batterie dans l'étendue de la livraison.

*Batterie 3.0 Ah disponible séparément.

Niveau sonore et vibrations

Valeurs d'émissions sonores déterminées selon la norme EN 60745.

Les mesures réelles (A) des niveaux sonores de l'appareil sont : niveau de pression acoustique 92,9 dB(A) ; niveau d'intensité acoustique 105,0 dB(A). Incertitude K=3 dB



Porter une protection acoustique !

Valeurs totales des vibrations ah et incertitude K relevées conformément à la norme EN 60745 :ah<2,725m/s², K=1,5m/s².

Le niveau d'oscillation indiqué dans ces instructions d'utilisation a été mesuré conformément à la norme EN 60745 et peut être utilisé pour une comparaison d'outils électroportatifs. Il est également approprié pour une estimation préliminaire de la charge vibratoire.

Le niveau d'oscillation correspond aux utilisations principales de l'outil électroportatif. Si l'outil électrique est néanmoins utilisé pour d'autres applications, avec différents accessoires ou d'autres outils de travail ou s'il est mal entretenu, le niveau d'oscillation peut être différent. Ceci peut augmenter considérablement la charge vibratoire pendant toute la durée de travail.

Pour une estimation précise de la charge vibratoire, il est recommandé de prendre aussi en considération les périodes pendant lesquelles l'appareil est éteint ou en fonctionnement, mais pas vraiment utilisé. Ceci peut réduire considérablement la charge vibratoire pendant toute la durée de travail.

Déterminez des mesures de protection supplémentaires pour protéger l'utilisateur des effets des vibrations, telles que par exemple : Entretien de l'outil électrique et des outils de travail, maintenir les mains chaudes, organisation des opérations de travail.

Montage

Chargement de l'accu

- N'utilisez que les chargeurs indiqués dans les Caractéristiques techniques. Seuls ces chargeurs sont adaptés à l'accu Lithium-Ion de votre outil électroportatif.

Note : L'accu est fourni en état de charge faible. Afin de garantir la puissance complète de l'accu, chargez complètement l'accu dans le chargeur avant la première mise en service.

La batterie Lithium-ion peut être rechargée à tout moment, sans que sa durée de vie n'en soit réduite. Le fait d'interrompre le processus de charge n'endommage pas la batterie.

Grâce à la Protection Electronique des Cellules « Electronic Cell Protection (ECP) », l'accumulateur Lithium-ion est protégé contre une décharge profonde. Lorsque l'accumulateur est déchargé, l'outil électroportatif s'arrête grâce à un dispositif d'arrêt de protection : les clous ne seront plus éjectés.



ATENCIÓN

N'appuyez plus sur l'interrupteur Marche/Arrêt après la mise hors fonctionnement automatique de l'appareil électroportatif. Ceci peut endommager l'accumulateur.

Respectez les indications concernant l'élimination.

Retirer l'accu (voir figure A)

L'accumulateur 8 est doté de deux positions de verrouillage qui doivent prévenir la chute de l'accumulateur lors d'une utilisation intensive.

- Appuyez sur la touche de déverrouillage 7 (1.) et poussez l'accumulateur simultanément vers l'avant.
- Appuyez de nouveau sur la touche de déverrouillage 7 (2.) et retirez complètement l'accumulateur.

Remplir le magasin (voir figures B1–B4)



Bloquez le système de déclenchement et retirez l'accumulateur avant d'effectuer des réglages sur l'appareil, de changer les accessoires, ou de ranger l'outil électroportatif. Cette mesure de précaution empêche une mise en route intempestive de l'outil électroportatif.

- N'utilisez que des accessoires Rapid d'origine (voir « Caractéristiques techniques »). Les parties constitutantes de l'outil électroportatif tels que magasin, nez de la machine et canal d'éjection sont adaptés aux agrafes, clous et goupilles de Rapid. D'autres fabricants utilisent d'autres qualités d'acier et d'autres dimensions.

L'utilisation de clous non autorisés peut endommager l'outil électroportatif et entraîner des blessures.

Tenez l'outil électroportatif pendant le remplissage du magasin de clous de sorte à ce que le nez de la machine 15 ne soit orienté vers vous ou vers d'autres personnes.

- Si nécessaire, nettoyez la tige-poussoir 13 et assurez-vous que le magasin 12 ne soit pas endommagé.
- Insérez une bande de clou 16 appropriée dans la fente en T au bout du magasin 12.
- Poussez le toc d'entraînement des clous 14 tendu contre la tige-poussoir du magasin 13 et tirez en même temps la tige-poussoir

Note : La tige-poussoir du magasin doit pouvoir être repoussée sans avoir à forcer (seulement par la force des doigts). Une tige-poussoir qui ne glisse pas aisément a pour conséquence que les clous ne sont pas éjectés dans le bon angle.

- Poussez prudemment la tige-poussoir du magasin 13 avec le toc d'entraînement des clous 14 maintenu appuyé vers l'avant jusqu'à ce que le toc d'entraînement des clous soit glissé par dessus le dernier clou et poussez ainsi la bande de clous dans le magasin complètement vers l'avant.

Note : Ne laissez pas le toc d'entraînement des clous se détendre sans le guider. Le toc d'entraînement des clous pourrait en être endommagé et vous risquez de vous coincer les doigts.

Mise en marche

Système de déclenchement

Déclenchement au coup par coup avec contraintes de sécurité

Avec ce mode de déclenchement, la protection de déclenchement 2 doit d'abord être fermement appuyée sur la pièce à travailler. L'agrafe ou le clou ne seront éjectés que quand le déclencheur 6 aura été enfoncé.

L'éjection d'autres agrafes ou clous ne pourra ensuite être déclenchée que quand le déclencheur et la protection de déclenchement auront été remis dans leur position initiale.

Mise en service



Bloquez le système de déclenchement et retirez l'accumulateur avant d'effectuer des réglages sur l'appareil, de changer les accessoires, ou de ranger l'outil électroportatif. Cette mesure de précaution empêche une mise en route intempestive de l'outil électroportatif.

Montage de l'accu

- N'utilisez que des accus à ions lithium d'origine Rapid dont la tension correspond à celle indiquée sur la plaque signalétique de l'outil électroportatif. L'utilisation de tout autre accumulateur peut entraîner des blessures et des risques d'incendie.
- Montez l'accu chargé 8 dans la poignée jusqu'à ce qu'il s'encliquette de façon perceptible et ne dépasse plus de la poignée.

Ejection des clous (voir figure C)

- Appuyez fermement le nez de l'outil avec la bouche d'éjection 15 ou le cas échéant le protège pièce caoutchouté 1 sur la pièce à travailler jusqu'à ce que la protection de déclenchement 2 soit entièrement enfoncée.
- Appuyez ensuite sur le déclencheur 6 et relâchez-le. Un clou est éjecté.
- Laissez rebondir l'outil électroportatif sur la pièce.
- Pour enfoncer d'autres clous, soulevez l'outil électroportatif de la pièce et positionnez-le à l'endroit souhaité suivant.

Blocage du système de déclenchement

Bloquez le système de déclenchement 5 avant d'effectuer des réglages sur l'appareil, de changer les accessoires, de ranger l'outil électroportatif pendant des pauses de travail prolongées ou à la fin du travail.

Instructions d'utilisation



Bloquez le système de déclenchement et retirez l'accumulateur avant d'effectuer des réglages sur l'appareil, de changer les accessoires, ou de ranger l'outil électroportatif. Cette mesure de précaution empêche une mise en route intempestive de l'outil électroportatif

Avant de commencer le travail, contrôlez toujours le fonctionnement impeccable des dispositifs de sécurité et de déclenchement ainsi que la bonne position de toutes les vis et tous les écrous.

Débranchez immédiatement du dispositif d'alimentation un outil électroportatif défectueux ou qui ne fonctionne pas correctement et contactez une station de Service Après-Vente Rapid agréée.

N'effectuez pas de modifications non conformes sur l'outil électroportatif. Ne démontez ou bloquez aucun élément de l'outil électroportatif, telle que la protection de déclenchement, par exemple.

N'effectuez pas de « réparations provisoires » en utilisant des moyens non appropriés. Veillez à soumettre l'outil électroportatif à des entretiens réguliers et effectués par des spécialistes (voir « Nettoyage et entretien »).

Évitez toute atteinte à la performance de l'outil électroportatif et tout endommagement, par exemple

- en frappant ou gravant,
- en effectuant des modifications non agréées par le fabricant,
- en guidant l'outil électroportatif sur des matrices fabriquées dans un matériau dur, tel que l'acier par exemple,
- en le laissant tomber ou en le poussant sur le sol,
- en l'utilisant comme marteau,
- en le soumettant à des chocs violents.

Vérifiez d'abord ce qui se trouve sous ou derrière la pièce à travailler. N'enfoncez pas de clous dans des murs, des plafonds ou des sols quand des personnes se trouvent derrière. Les clous pourraient transpercer la pièce à travailler et blesser quelqu'un se trouvant derrière.

N'enfoncez pas de clou sur un clou déjà enfoncé. Ceci pourrait entraîner la déformation du clou ou le coincement des clous ou encore le déplacement incontrôlé de l'outil électroportatif.

Si l'outil électroportatif est utilisé dans un environnement à basse température, les premiers clous seront enfoncés plus lentement que normalement. Une fois l'outil électroportatif réchauffé pendant le travail, une vitesse de travail normale est possible.

Évitez des éjections vides pour réduire l'usure du tampon.

Bloquez le système de déclenchement pendant des pauses de travail prolongées ou à la fin du travail et, si possible, videz le magasin.

Vider le magasin (voir figures D1–D2)

- Tirez la tige-poussoir du magasin 13 avec le toc d'entraînement des clous 14 maintenu appuyé vers l'arrière jusqu'à ce que le toc d'entraînement ait permis de vider jusqu'au dernier clou et poussez ensuite la tige-poussoir du magasin

Note : Ne laissez pas le toc d'entraînement des clous se détendre sans le guider. Le toc d'entraînement des clous pourrait en être endommagé et vous risquez de vous coincer les doigts.

Réglage de la butée de profondeur (voir figure E)

Il est possible de régler la profondeur d'enfoncement au moyen de la molette de réglage de profondeur 4.

- Videz le magasin 12. (voir « Vider le magasin »)
- **Les clous sont enfoncés trop profondément** : Tournez la molette de réglage de profondeur 4 dans le sens inverse des aiguilles d'une montre pour réduire la profondeur d'enfoncement.
ou
- **Les clous ne sont pas enfoncés assez profondément** : Tournez la molette de réglage de profondeur 4 dans le sens des aiguilles d'une montre pour augmenter la profondeur d'enfoncement.
- Remplissez à nouveau le magasin. (voir « Remplir le magasin »)
- Testez la nouvelle profondeur d'enfoncement sur une pièce d'essai. Le cas échéant, recommencez le réglage comme décrit.

Élimination des pièces coincées (voir figures F1–F2)

Il peut survenir que des clous se coincent dans le canal d'éjection. Si cela est souvent le cas, veuillez consulter Service Après-Vente autorisé pour outillage Rapid.

Note : Si le poinçon ne revient pas en place après l'élimination du coincement, veuillez contacter le Service Après-Vente autorisé pour outillage Rapid.

- Relâchez le déclencheur 6.
- Bloquez le système de déclenchement (voir « Blocage du système de déclenchement ») et retirez l'accumulateur 8.
- Videz le magasin 12. (voir « Vider le magasin »)
- Appuyez le levier de serrage 3 vers le bas de manière à ce que le canal d'éjection se laisse ouvrir.
- Enlevez le clou coincé. Aidez-vous avec une pince si nécessaire.
- Refermez le canal d'éjection, raccrochez le clip du levier de serrage 3 dans le crochet du canal d'éjection et appuyez le levier de serrage pour le remettre vers le haut.
- Remplissez à nouveau le magasin. (voir « Remplir le magasin »)

Changer de protège-pièce (voir figure G)

Le protège-pièce 1 se trouvant sur le dispositif de protection de déclenchement 2 protège la pièce jusqu'à ce que l'outil électroportatif soit correctement positionné pour l'opération d'enfoncement.

Le protège-pièce peut être ôté et remplacé.

- Retirez le protège-pièce de la protection contre le déclenchement.
- Mettez le nouveau protège-pièce en place en le glissant par le bout ouvert sur la protection contre le déclenchement.

Note : Un protège-pièce de rechange peut être mis en réserve sur la face supérieure du magasin 12. À cet effet, glissez un protège-pièce de rechange dans le logement 10.

Transport et stockage

Bloquez le système de déclenchement (voir « Blocage du système de déclenchement ») pour transporter l'outil électroportatif, surtout si vous utilisez une échelle ou si vous travaillez dans une position corporelle inhabituelle.

Ne portez l'outil électroportatif que par la poignée 9 et veillez à ce que le déclencheur 6 ne soit pas actionné.

Rangez l'outil électroportatif toujours séparément de l'accumulateur et dans un endroit sec et chaud.

Si l'outil électroportatif n'est pas utilisé pendant une période prolongée, appliquez une fine couche d'huile sur les éléments en acier. Ceci empêche les dépôts de rouille.

Entretien et Service Après-Vente

Nettoyage et entretien



Bloquez le système de déclenchement et retirez l'accumulateur avant d'effectuer des réglages sur l'appareil, de changer les accessoires, ou de ranger l'outil électroportatif.

- For safe and proper working, always keep the machine and ventilation slots clean.

Plan de maintenance

Nettoyez le magasin 12. Enlevez les copeaux de bois ou de plastique qui s'accumulent dans le magasin pendant le travail.

Nettoyez l'outil électroportatif régulièrement à l'aide d'air comprimé.

Transport

Les batteries Lithium-ion sont soumises aux règlements de transport des matières dangereuses. L'utilisateur peut transporter les batteries par voie routière sans mesures supplémentaires.

Lors d'une expédition par tiers (par ex. : transport aérien ou entreprise de transport), les mesures à prendre spécifiques à l'emballage et au marquage doivent être observées.

Dans un tel cas, lors de la préparation de l'envoi, il est impératif de faire appel à un expert en transport des matières dangereuses.

N'expédiez les accus que si le carter n'est pas endommagé. Recouvrez les contacts non protégés et emballez l'accu de manière à ce qu'il ne puisse pas se déplacer dans l'emballage.

Veillez également respecter les réglementations supplémentaires éventuellement en vigueur.

Élimination des déchets



Les outils électroportatifs et les accus, ainsi que leurs accessoires et emballages, doivent pouvoir suivre chacun une voie de recyclage appropriée.

Ne jetez pas les outils électroportatifs, les chargeurs et les accus/piles avec les ordures ménagères !

Seulement pour les pays de l'Union Européenne



Conformément à la directive européenne 2012/19/UE, les équipements électriques dont on ne peut plus se servir, et conformément à la directive européenne 2006/66/CE, les accus/piles usés ou défectueux doivent être isolés et suivre une voie de recyclage appropriée.

Nederlands

Veiligheidsvoorschriften

Algemene veiligheidswaarschuwingen voor elektrische gereedschappen



WAARSCHUWING

Lees alle veiligheidswaarschuwingen en alle voorschriften. Als de waarschuwingen en voorschriften niet worden opgevolgd, kan dit een elektrische schok, brand of ernstig letsel tot gevolg hebben

Bewaar alle waarschuwingen en voorschriften voor toekomstig gebruik.

Het in de waarschuwingen gebruikte begrip "elektrisch gereedschap" heeft betrekking op elektrische gereedschappen voor gebruik op het stroomnet (met netsnoer) en op elektrische gereedschappen voor gebruik met een accu (zonder netsnoer).

Veiligheid van de werkomgeving

- Houd uw werkomgeving schoon en goed verlicht. Een rommelige of onverlichte werkomgeving kan tot ongevallen leiden.
- Werk met het elektrische gereedschap niet in een omgeving met explosiegevaar waarin zich brandbare vloeistoffen, brandbare gassen of brandbaar stof bevinden. Elektrische gereedschappen veroorzaken vonken die het stof of de dampen tot ontsteking kunnen brengen.
- Houd kinderen en andere personen tijdens het gebruik van het elektrische gereedschap uit de buurt. Wanneer u wordt afgeleid, kunt u de controle over het gereedschap verliezen.

Elektrische veiligheid

- De aansluitstekker van het elektrische gereedschap moet in het stopcontact passen. De stekker mag in geen geval worden veranderd. Gebruik geen adapterstekkers in combinatie met geaarde elektrische gereedschappen. Onveranderde stekkers en passende stopcontacten beperken het risico van een elektrische schok.
- Voorkom aanraking van het lichaam met geaarde oppervlakken, bijvoorbeeld van buizen, verwarmingen, fornuizen en koelkasten. Er bestaat een verhoogd risico door een elektrische schok wanneer uw lichaam geaard is.
- Houd het gereedschap uit de buurt van regen en vocht. Het binnendringen van water in het elektrische gereedschap vergroot het risico van een elektrische schok.
- Gebruik de kabel niet voor een verkeerd doel, om het elektrische gereedschap te dragen of op te hangen of om de stekker uit het stopcontact te trekken. Houd de kabel uit de buurt van hitte, olie, scherpe randen en bewegende gereedschapsdelen. Beschadigde of in de war geraakte kabels vergroten het risico van een elektrische schok.
- Wanneer u buitenshuis met elektrisch gereedschap werkt, dient u alleen verlengkabels te gebruiken die voor gebruik buitenshuis zijn goedgekeurd. Het gebruik van een voor gebruik buitenshuis geschikte verlengkabel beperkt het risico van een elektrische schok.
- Als het gebruik van het elektrische gereedschap in een vochtige omgeving onvermijdelijk is, dient u een aard-

lekschakelaar te gebruiken. Het gebruik van een aardlekschakelaar vermindert het risico van een elektrische schok.

Veiligheid van personen

- Wees alert, let goed op wat u doet en ga met verstand te werk bij het gebruik van het elektrische gereedschap. Gebruik geen elektrisch gereedschap wanneer u moe bent of onder invloed staat van drugs, alcohol of medicijnen. Een moment van onoplettendheid bij het gebruik van het elektrische gereedschap kan tot ernstige verwondingen leiden.
- Draag persoonlijke beschermende uitrusting. Draag altijd een veiligheidsbril. Het dragen van persoonlijke beschermende uitrusting zoals een stofmasker, slipvaste werkschoenen, een veiligheidshelm of gehoorbescherming, afhankelijk van de aard en het gebruik van het elektrische gereedschap, vermindert het risico van verwondingen.
- Voorkom per ongeluk inschakelen. Controleer dat het elektrische gereedschap uitgeschakeld is voordat u de stekker in het stopcontact steekt of de accu aansluit en voordat u het gereedschap oppakt of draagt. Wanneer u bij het dragen van het elektrische gereedschap uw vinger aan de schakelaar hebt of wanneer u het gereedschap ingeschakeld op de stroomvoorziening aansluit, kan dit tot ongevallen leiden.
- Verwijder instelgereedschappen of schroefslutels voordat u het elektrische gereedschap inschakelt. Een instelgereedschap of sleutel in een draaiend deel van het gereedschap kan tot verwondingen leiden.
- Voorkom een onevenwichtige lichaamshouding. Zorg ervoor dat u stevig staat en steeds in evenwicht blijft. Daardoor kunt u het elektrische gereedschap in onverwachte situaties beter onder controle houden.
- Draag geschikte kleding. Draag geen loshangende kleding of sieraden. Houd haren, kleding en handschoenen uit de buurt van bewegende delen. Loshangende kleding, lange haren en sieraden kunnen door bewegende delen worden meegenomen.
- Wanneer stofafzuigings- of stofopvangvoorzieningen kunnen worden gemonteerd, dient u zich ervan te verzekeren dat deze zijn aangesloten en juist worden gebruikt. Het gebruik van een stofafzuiging beperkt het gevaar door stof.

Zorgvuldige omgang met en zorgvuldig gebruik van elektrische gereedschappen

- Overbelast het gereedschap niet. Gebruik voor uw werkzaamheden het daarvoor bestemde elektrische gereedschap. Met het passende elektrische gereedschap werkt u beter en veiliger binnen het aangegeven capaciteitsbereik.
- Gebruik geen elektrisch gereedschap waarvan de schakelaar defect is. Elektrisch gereedschap dat niet meer kan worden in- of uitgeschakeld, is gevaarlijk en moet worden gerepareerd.
- Trek de stekker uit het stopcontact of neem de accu uit het elektrische gereedschap voordat u het gereedschap instelt, toebehoren wisselt of het gereedschap weglegt. Deze voorzorgsmaatregel voorkomt onbedoeld starten van het elektrische gereedschap.
- Bewaar niet-gebruikte elektrische gereedschappen buiten bereik van kinderen. Laat het gereedschap niet

gebruiken door personen die er niet mee vertrouwd zijn en deze aanwijzingen niet hebben gelezen. Elektrische gereedschappen zijn gevaarlijk wanneer deze door onervaren personen worden gebruikt.

- Verzorg het elektrische gereedschap zorgvuldig. Controleer of bewegende delen van het gereedschap correct functioneren en niet vastklemmen en of onderdelen zodanig gebroken of beschadigd zijn dat de werking van het elektrische gereedschap nadelig wordt beïnvloed. Laat deze beschadigde onderdelen voor het gebruik repareren. Veel ongevallen hebben hun oorzaak in slecht onderhouden elektrische gereedschappen.
- Houd snijdende inzetgereedschappen scherp en schoon. Zorgvuldig onderhouden snijdende inzetgereedschappen met scherpe snijkanten klemmen minder snel vast en zijn gemakkelijker te geleiden.
- Gebruik elektrisch gereedschap, toebehoren, inzetgereedschappen en dergelijke volgens deze aanwijzingen. Let daarbij op de arbeidsomstandigheden en de uit te voeren werkzaamheden. Het gebruik van elektrische gereedschappen voor andere dan de voorziene toepassingen kan tot gevaarlijke situaties leiden.

Gebruik en onderhoud van accugereedschappen

- Laad accu's alleen op in oplaadapparaten die door de fabrikant worden geadviseerd. Voor een oplaadapparaat dat voor een bepaald type accu geschikt is, bestaat brandgevaar wanneer het met andere accu's wordt gebruikt.
- Gebruik alleen de daarvoor bedoelde accu's in de elektrische gereedschappen. Het gebruik van andere accu's kan tot verwondingen en brandgevaar leiden.
- Voorkom aanraking van de niet-gebruikte accu met paperclips, munten, sleutels, spijkers, schroeven en andere kleine metalen voorwerpen die overbrugging van de contacten kunnen veroorzaken. Kortsluiting tussen de accucontacten kan brandwonden of brand tot gevolg hebben.
- Bij verkeerd gebruik kan vloeistof uit de accu lekken. Voorkom contact daarmee. Spoel bij onvoorziën contact met water af. Wanneer de vloeistof in de ogen komt, dient u bovendien een arts te raadplegen. Gelekte accuvloeistof kan tot huidirritaties en verbrandingen leiden.

Service

- Laat het elektrische gereedschap alleen repareren door gekwalificeerd en vakkundig personeel en alleen met originele vervangingsonderdelen. Daarmee wordt gewaarborgd dat de veiligheid van het gereedschap in stand blijft.

Veiligheidsvoorschriften voor accutackers

- Ga er altijd van uit dat het elektrische gereedschap nieten bevat. Een achteloze omgang met de inslagmachine kan tot het onverwacht uitschieten van nieten leiden, waardoor u gewond kunt raken.
- Richt met het elektrische gereedschap niet op uzelf of op andere personen in de buurt. Door onverwacht activeren wordt een niet uitgestoten, hetgeen tot verwondingen kan leiden.
- Bedien het elektrische gereedschap niet voordat het stevig op het werkstuk is geplaatst. Als het elektrische gereedschap het werkstuk niet raakt, kan de niet van de bevestigingsplaats wegglijden.

- Trek de stekker van het elektrische gereedschap uit het stopcontact of haal de accu uit het gereedschap als de niet in het gereedschap vastklemt. Als de inslagmachine aangesloten is, kan deze bij het verwijderen van een vastgeklemd niet per ongeluk worden bediend.
- Wees voorzichtig bij het verwijderen van een vastzittende niet. Het systeem kan gespannen zijn en de niet kan met kracht naar buiten worden gestoten terwijl u probeert om de vastzittende niet te verwijderen.
- Gebruik deze inslagmachine niet voor de bevestiging van elektrische leidingen. Het is niet geschikt voor de installatie van elektrische leidingen, kan de isolatie van elektrische kabels beschadigen en zo een elektrische schok en brandgevaar veroorzaken.
- Gebruik een geschikt detectieapparaat om verborgen stroom-, gas- of waterleidingen op te sporen of raadpleeg het plaatselijke energie- of waterleidingbedrijf. Contact met elektrische leidingen kan tot brand of een elektrische schok leiden. Beschadiging van een gasleiding kan tot een explosie leiden. Breuk van een waterleiding veroorzaakt materiële schade.
- Houd rekening met de omstandigheden op de werkplek. Inslagvoorwerpen kunnen eventueel door dunne werkstukken heen slaan of tijdens werkzaamheden aan hoeken en randen van werkstukken afglijden en daarbij personen in gevaar brengen.
- Houd het elektrische gereedschap tijdens de werkzaamheden zodanig vast, dat u tijdens een mogelijke terugslag als gevolg van een storing van de energievoorziening of door harde plaatsen in het werkstuk niet aan uw hoofd of overige lichaamsdelen gewond kunt raken.
- Open de accu niet. Er bestaat gevaar voor kortsluiting.



Bescherm de accu tegen hitte, bijvoorbeeld ook tegen voortdurend zonlicht, vuur, water en vocht. Er bestaat explosiegevaar.

- Bij beschadiging en onjuist gebruik van de accu kunnen er dampen vrijkomen. Zorg voor frisse lucht en raadpleeg bij klachten een arts. De dampen kunnen de luchtwegen irriteren.
- Gebruik de accu alleen in combinatie met uw Rapidproduct. Alleen zo wordt de accu tegen gevaarlijke overbelasting beschermd.
- Door scherpe voorwerpen, zoals bijv. spijkers of schroevendraaiers of door krachtnwerking van buitenaf kan de accu beschadigd worden. Er kan een interne kortsluiting ontstaan en de accu doen branden, roken, exploderen of oververhitten.

Product- en vermogensbeschrijving



Lees alle veiligheidswaarschuwingen en alle voorschriften.

Als de waarschuwingen en voorschriften niet worden opgevolgd, kan dit een elektrische schok, brand of ernstig letsel tot gevolg hebben.

Gebruik volgens bestemming

Het elektrische gereedschap is bestemd voor verbindingswerkzaamheden bij dakdekkerswerkzaamheden, werkzaamheden aan bekistingen en lattenwerk en het vervaardigen van wand- en plafondelementen, houten gevels, pallets, houten hekwerk, geluidsschermen en kisten.

Alleen de in de tabel "Technische gegevens" gespecificeerde inslagvoorwerpen (nagels, nieten, enz.) mogen worden gebruikt.

Afgebeelde componenten

De componenten zijn genummerd zoals op de afbeelding van het elektrische gereedschap op de pagina met afbeeldingen.

- 1 Werkstukbescherming
- 2 Activeringsbeveiliging
- 3 Spanhendel voor het openen en sluiten van het schotkanaal
- 4 Stelwiel voor instelling van diepteaanslag
- 5 Schakelaar voor blokkeren van activeringssysteem
- 6 Schakelaar
- 7 Accu-ontgrendelingsknop
- 8 Accu
- 9 Handgreep (geïsoleerd greepvlak)
- 10 Depot voor het opbergen van de werkstukbescherming
- 11 Riemhaak
- 12 Magazijn
- 13 Magazijnschuif
- 14 Nagelmeenemer
- 15 Monding
- 16 Nagelstrips*

* Niet elk afgebeeld en beschreven toebehoren wordt standaard meegeleverd. Het volledige toebehoren vindt u in ons toebehorenprogramma.

Technische gegevens

Draadloos spijkerpistool voor spijkers zonder kop	BN64	BN50
Bevestiging		
Type	16 Ga spijker zonder kop	18 Ga spijker zonder kop
Lengte	32-64mm	25-55mm
Diameter	1.6mm	1.26mm
Hoek	20°	Recht
Inhoud magazijn. max.	110 stuks	110 stuks
Afmetingen		
Hoogte	297mm	281mm
Breedte	95mm	95mm
Lengte	329mm	321mm
Gewicht*	3,16 kg	3,10 kg
Type accu	Li-Ion	Li-Ion
Nominale spanning	18 V DC	18 V DC
Vermogen	2,0 Ah*	2,0 Ah*
Max. spijkersnelheid	60 spijkers/min.60 spijkers/min.	
Bedrijfs capaciteit/volledige lading (continue werking)	ca. 500 spijkers	ca. 500 spijkers
Tijd voor herladen	50 min	50 min
Toegepaste temperaturen		
Werktemperatuur °C	-20 ... +60	-20 ... +60
Oplaattemperatuur °C	0 ... +40	0 ... +40
Opslagtemperatuur °C	-20 ... +25	-20 ... +25

Technische gegevens bepaald met bijgeleverde accu.

* Accu optioneel ook als 3.0 Ah versie beschikbaar.

Informatie over geluid en trillingen

Geluidsemissiewaarden vastgesteld volgens EN 60745.

Het A-gewogen geluidsniveau van het gereedschap bedraagt kenmerkend: geluidsdrukniveau 92,9 dB(A); geluidsvermogeniveau 105,0 dB(A). Onzekerheid K=3 dB.



Draag een gehoorbescherming.

Totale trillingswaarden ah en onzekerheid K bepaald volgens EN 60745:ah<2,725m/s², K=1,5 m/s².

Het in deze gebruiksaanwijzing vermelde trillingsniveau is gemeten met een volgens EN 60745 genormeerde meetmethode en kan worden gebruikt om elektrische gereedschappen met elkaar te vergelijken. Het is ook geschikt voor een voorlopige inschatting van de trillingsbelasting.

Het aangegeven trillingsniveau representeert de voornaamste toepassingen van het elektrische gereedschap. Als echter het elektrische gereedschap wordt gebruikt voor andere toepassingen, met verschillende accessoire, met afwijkende inzetgereedschappen of onvoldoende onderhoud, kan het trillingsniveau afwijken. Dit kan de trillingsbelasting gedurende de gehele arbeidsperiode duidelijk verhogen.

Voor een nauwkeurige schatting van de trillingsbelasting moet ook rekening worden gehouden met de tijd waarin het gereedschap uitgeschakeld is, of waarin het gereedschap wel loopt, maar niet werkelijk wordt gebruikt. Dit kan de trillingsbelasting gedurende de gehele arbeidsperiode duidelijk verminderen.

Leg aanvullende veiligheidsmaatregelen ter bescherming van de bediener tegen het effect van trillingen vast, zoals: Onderhoud van elektrische gereedschappen en inzetgereedschappen, warm houden van de handen, organisatie van het arbeidsproces.

Montage

Accu opladen

- Gebruik alleen de in de technische gegevens vermelde oplaadapparaten. Alleen deze oplaadapparaten zijn afgestemd op de bij het elektrische gereedschap gebruikte lithiumionaccu.

Opmerking: De accu wordt gedeeltelijk opgeladen geleverd. Om de volledige capaciteit van de accu te verkrijgen, laadt u voor het eerste gebruik de accu volledig in het oplaadapparaat op.

De lithiumionaccu kan op elk moment worden opgeladen zonder de levensduur te verkorten. Een onderbreking van het opladen schaadt de accu niet.

De lithiumionaccu is met "Electronic Cell Protection (ECP)" tegen te sterk ontladen beschermd. Als de accu leeg is, wordt het elektrische gereedschap door een veiligheidsschakeling uitgeschakeld: Er worden geen inslagvoorwerpen meer uitgeschoten.



LET OP

Druk na het automatisch uitschakelen van het elektrische gereedschap niet meer op de activeringsknop. De accu kan anders beschadigd worden.

Neem de voorschriften ten aanzien van de afvalverwijdering in acht.

Accu verwijderen (zie afbeelding A)

De accu 8 beschikt over twee vergrendelingsstanden die moeten voorkomen dat de accu door trillingen bij intensief gebruik uit de machine valt.

- Druk nogmaals op de ontgrendelingsknop 7 (1.) en schuif tegelijkertijd de accu naar voren.
- Druk nogmaals op de ontgrendelingsknop 7 (2.) en trek de accu volledig naar achteren uit de machine.

Magazijn vullen (zie afbeeldingen B1–B4)



Blokkeer het activeringssysteem en verwijder de accu voordat u het gereedschap instelt, toebehoren wisselt of het elektrische gereedschap weglegt. Deze voorzorgsmaatregel voorkomt onbedoeld starten van het elektrische gereedschap

- Gebruik alleen originele Rapid-toebehoren (zie "Technische gegevens"). De precisieonderdelen van het elektrische gereedschap, zoals magazijn, monding en nietkanaal, zijn afgestemd op nieten, nagels en stiften van Rapid. Andere fabrikanten gebruiken andere staalkwaliteiten en afmetingen.

Het gebruik van ongeoorloofde inslagvoorwerpen kan het elektrische gereedschap beschadigen en lichamelijk letsel veroorzaken.

Houd het elektrische gereedschap tijdens het vullen van het magazijn zodanig dat de monding 15 niet op uw eigen lichaam of op andere personen gericht is.

- Reinig indien nodig de magazijnschuif 13 en controleer dat het magazijn 12 niet vuil is.
- Duw een passende nagelstrip 16 in de T-sleuf aan het einde van het magazijn 12.
- Duw de voorgespannen nagelmeenemer 14 tegen de magazijnschuif 13 en trek tegelijkertijd de magazijnschuif helemaal tot aan het einde van het magazijn 12.

Opmerking: De magazijnschuif moet zonder grote krachtsinspanning (alleen met de kracht van een vinger) kunnen worden teruggeduwd. Een strak lopende magazijnschuif heeft tot gevolg dat de nagels in een verkeerde hoek worden ingeschoten.

- Beweeg de magazijnschuif 13, terwijl u de nagelmeenemer 14 ingedrukt houdt, voorzichtig naar voren tot de nagelmeenemer over de laatste nagel is geschoven. Schuif daardoor de nagelstrip in het magazijn helemaal naar voren.

Opmerking: Laat de magazijnschuif niet terugschieten zonder deze vast te houden. Anders kan de magazijnschuif beschadigd worden. Bovendien bestaat het gevaar dat uw vingers worden vastgeklemd.

Gebruik

Activeringssysteem

Enkele inslag met beveiligingsreeks

Bij dit activeringssysteem moet eerst de activeringsbeveiliging 2 stevig op het werkstuk worden gezet. Een inslagvoorwerp wordt pas uitgestoten als de schakelaar 6 wordt ingedrukt.

Nieuwe inslagen zijn daarna pas mogelijk nadat de schakelaar en de activeringsbeveiliging weer in de uitgangspositie zijn gezet.

Ingebruikneming



Blokkeer het activeringssysteem en verwijder de accu voordat u het gereedschap instelt, toebehoren wisselt of het elektrische gereedschap weglegt. Deze voorzorgsmaatregel voorkomt onbedoeld starten van het elektrische gereedschap.

Accu plaatsen

- Gebruik alleen originele Rapid-lithiumionaccu's met de op het typeplaatje van het elektrische gereedschap aangegeven spanning. Het gebruik van andere accu's kan tot verwondingen en brandgevaar leiden.
- Zet de opgeladen accu 8 in de greep tot deze merkbaar vastklikt en vlak op de greep aansluit.

Nagels uitschieten (zie afbeelding C)

- Zet de monding 15 of indien nodig de rubber werkstukbescherming 1 stevig op het werkstuk tot de activeringsbeveiliging 2 helemaal is ingedrukt.
- Druk vervolgens de schakelaar 6 kort in en laat deze weer los. Daarbij wordt een nagel uitgeschoten.
- Laat het elektrische gereedschap van het werkstuk terugstuiten.

- Voor een nieuwe inslag tilt u het elektrische gereedschap helemaal van het werkstuk omhoog en zet u het weer neer op de volgende plaats waar u een inslag wenst.

Activeringssysteem blokkeren

Blokkeer het activeringssysteem voordat u het gereedschap instelt, toebehoren vervangt of het elektrische gereedschap bij lange werkonderbrekingen weglegt en na afloop van de werkzaamheden.

Tips voor de werkzaamheden



Blokkeer het activeringssysteem en verwijder de accu voordat u het gereedschap instelt, toebehoren wisselt of het elektrische gereedschap weglegt. Deze voorzorgsmaatregel voorkomt onbedoeld starten van het elektrische gereedschap.

Controleer altijd vóór het begin van de werkzaamheden de correcte werking van de veiligheids- en activeringsvoorzorgingen en het vastzitten van alle schroeven en moeren.

Onderbreek onmiddellijk de energietoevoer van een defect of niet correct werkend elektrisch gereedschap en neem contact op met een erkende Rapid-klantenservicewerkplaats.

Voer geen manipulaties aan het elektrische gereedschap uit die niet volgens de voorschriften zijn. Demonteer of blokkeer geen onderdelen van het elektrische gereedschap, zoals bijvoorbeeld de activeringsbeveiliging.

Voor geen "noodreparaties" met ongeschikte middelen uit. Het elektrische gereedschap moet regelmatig en deskundig worden onderhouden (zie "Onderhoud en reiniging").

Voorkom elke verzwakking en beschadiging van het elektrische gereedschap, bijvoorbeeld door:

- inslaan of graven,
- door de fabrikant niet toegestane ombouwwerkzaamheden,
- geleiden langs sjablonen die vervaardigd zijn van hard materiaal, bijv. staal,
- laten vallen op of schuiven over de vloer,
- gebruik als hamer,
- elke soort van geweldsinwerking.

Controleer wat er zich onder en achter het werkstuk bevindt. Schiet geen nagels in muren, plafonds of vloeren als zich daarachter personen bevinden. De nagels kunnen door het werkstuk slaan en iemand verwonden. Schiet geen nagels af op een reeds ingeschoten nagel.

Daarbij kan de nagel vervormen, de nagels kunnen vastklemmen of het elektrische gereedschap kan zich ongecontroleerd bewegen.

Als het elektrische gereedschap onder koude omstandigheden wordt gebruikt, worden de eerste nagels langzamer dan gewoonlijk ingeschoten. Nadat het elektrische gereedschap tijdens de werkzaamheden warm is geworden, is een normale werksnelheid weer mogelijk.

Voorkom het bedienen van de tacker zonder nieten of nagels om de slijtage van de slagstempel te beperken.

Blokkeer bij lange werkonderbrekingen of na afloop van de werkzaamheden het activeringssysteem en maak indien mogelijk het magazijn leeg.

Magazijn leegmaken (zie afbeeldingen D1–D2)

- Trek de magazijnschuif 13 met de ingedrukte nagelmeenemer 14 naar achteren tot de nagelmeenemer de laatste nagel vrijgeeft en breng vervolgens de magazijnschuif voorzichtig naar voren tot aan het begin van het magazijn 12.

Opmerking: Laat de magazijnschuif niet terugschieten zonder deze vast te houden. Anders kan de magazijnschuif beschadigd worden. Bovendien bestaat het gevaar dat uw vingers worden vastgeklemd.

Diepteaanslag instellen (zie afbeelding E)

De inslagdiepte van de nagels kan met het stelwiel 4 worden ingesteld.

- Maak het magazijn 12 leeg. (zie "Magazijn leegmaken")
- **Nagels worden te diep ingeschoten:**
Als u de inslagdiepte wilt verkleinen, draait u het stelwiel 4 tegen de richting van de wijzers van de klok.
of
- **Nagels worden niet diep genoeg ingeschoten:**
Als u de inslagdiepte wilt vergroten, draait u het stelwiel 4 in de richting van de wijzers van de klok.
- Vul het magazijn weer. (zie "Magazijn vullen")
- Test de nieuwe inslagdiepte met een proefwerkstuk.
Herhaal indien nodig de stappen.

Vastgeklemd nagels losmaken (zie afbeeldingen F1–F2)

Nagels kunnen in het nietkanaal vastgeklemd raken. Mocht dit vaker voorkomen, dient u contact op te nemen met een erkende Rapid-klantenservicewerkplaats.

Opmerking: Als de slagstempel na het losmaken van de vastgeklemd nagels niet meer terug beweegt, dient u contact op te nemen met een erkende Rapid-klantenservicewerkplaats.

- Laat de activeringsknop 6 los.
- Blokkeer het activeringssysteem (zie "Activeringssysteem blokkeren") en verwijder de accu 8.
- Maak het magazijn 12 leeg. (zie "Magazijn leegmaken")
- Duw de spanhendel 3 omlaag zodat het nietkanaal kan worden geopend.
- Verwijder de vastgeklemd nagel. Gebruik daarvoor indien nodig een tang.
- Sluit het nietkanaal, hang de beugel van de spanhendel 3 in de haken aan het nietkanaal en druk vervolgens de spanhendel weer omhoog.
- Vul het magazijn weer. (zie "Magazijn vullen")

Werkstukbescherming vervangen (zie afbeelding G)

De werkstukbescherming 1 aan het einde van de activeringsbeveiliging 2 beschermt het werkstuk tot het elektrische gereedschap voor de inslag juist geplaatst is.

De werkstukbescherming kan verwijderd en vervangen worden.

- Trek de werkstukbescherming van de activeringsbeveiliging.
- Duw de nieuwe werkstukbescherming met het open uiteinde over de activeringsbeveiliging.

Opmerking: Een reserve-werkstukbescherming kan aan de bovenzijde van het magazijn 12 bewaard worden. Schuif daarvoor de werkstukbescherming in het depot 10.

Vervoeren en opbergen

Blokkeer het activeringssysteem van het elektrische gereedschap voordat u het verplaatst of vervoert (zie "Activeringssysteem blokkeren"), in het bijzonder wanneer u een ladder gebruikt of in een ongewone lichaamshouding werkt.

Draag het elektrische gereedschap op de werkplek alleen aan de greep 9 en met niet-bediende activeringsknop 6.

Bewaar het elektrische gereedschap altijd apart van de accu en op een droge en warme plaats.

Als het elektrische gereedschap lang niet wordt gebruikt, dient u de gereedschapsdelen van staal te bedekken met een fijne olielaag. Dit voorkomt roestvorming.

Alleen voor landen van de EU:



Volgens de Europese richtlijn 2012/19/EU moeten niet meer bruikbare elektrische gereedschappen en volgens de Europese richtlijn 2006/66/EG moeten defecte of lege accu's en batterijen apart worden ingezameld en op een voor het milieu verantwoorde wijze worden hergebruikt.

Onderhoud en service

Onderhoud en reiniging



Blokkeer het activeringssysteem en verwijder de accu voordat u het gereedschap instelt, toebehoren wisselt of het elektrische gereedschap weglegt. Deze voorzorgsmaatregel voorkomt onbedoeld starten van het elektrische gereedschap.

- Houd het elektrische gereedschap en de ventilatieopeningen altijd schoon om goed en veilig te werken.

Onderhoudsschema

Reinig het magazijn 12. Verwijder kunststof of houten spanen die zich tijdens de werkzaamheden in het magazijn kunnen ophopen.

Reinig het elektrische gereedschap regelmatig met perslucht.

Vervoer

Op de meegeleverde lithiumionaccu's zijn de eisen voor het vervoer van gevaarlijke stoffen van toepassing. De accu's kunnen door de gebruiker zonder verdere voorwaarden over de weg worden vervoerd.

Bij de verzending door derden (bijv. luchtvervoer of expeditiebedrijf) moeten bijzondere eisen ten aanzien van verpakking en markering in acht worden genomen. In deze gevallen moet bij de voorbereiding van de verzending een deskundige voor gevaarlijke goederen worden geraadpleegd.

Verzend accu's alleen als de behuizing onbeschadigd is. Plak blootliggende contacten af en verpak de accu zodanig dat deze niet in de verpakking beweegt.

Neem ook eventuele overige nationale voorschriften in acht.

Afvalverwijdering



Elektrische gereedschappen, accu's, toebehoren en verpakkingen moeten op een voor het milieu verantwoorde wijze worden hergebruikt.

Gooi elektrische gereedschappen, oplaadapparaten, accu's en batterijen niet bij het huisvuil.

Italiano

Norme di sicurezza

Avvertenze generali di pericolo per elettrotensili



AVVERTENZA

Leggere tutte le avvertenze di pericolo e le istruzioni operative. In caso di mancato rispetto delle avvertenze di pericolo e delle istruzioni operative si potrà creare il pericolo di scosse elettriche, incendi e/o incidenti gravi.

Conservare tutte le avvertenze di pericolo e le istruzioni operative per ogni esigenza futura.

Il termine "elettrotensile" utilizzato nelle avvertenze di pericolo si riferisce ad utensili elettrici alimentati dalla rete (con linea di allacciamento) ed ad utensili elettrici alimentati a batteria (senza linea di allacciamento).

Sicurezza della postazione di lavoro

- Tenere la postazione di lavoro sempre pulita e ben illuminata. Il disordine oppure zone della postazione di lavoro non illuminate possono essere causa di incidenti.
- Evitare d'impiegare l'elettrotensile in ambienti soggetti al rischio di esplosioni nei quali si abbia presenza di liquidi, gas o polveri infiammabili. Gli elettrotensili producono scintille che possono far infiammare la polvere o i gas.
- Tenere lontani i bambini ed altre persone durante l'impiego dell'elettrotensile. Eventuali distrazioni potranno comportare la perdita del controllo sull'elettrotensile.

Sicurezza elettrica

- La spina di allacciamento alla rete dell'elettrotensile deve essere adatta alla presa. Evitare assolutamente di apportare modifiche alla spina. Non impiegare spine adattatrici assieme ad elettrotensili dotati di collegamento a terra. Le spine non modificate e le prese adatte allo scopo riducono il rischio di scosse elettriche.
- Evitare il contatto fisico con superfici collegate a terra, come tubi, riscaldamenti, cucine elettriche e frigoriferi. Sussiste un maggior rischio di scosse elettriche nel momento in cui il corpo è messo a massa.
- Custodire l'elettrotensile al riparo dalla pioggia o dall'umidità. La penetrazione dell'acqua in un elettrotensile aumenta il rischio di una scossa elettrica.
- Non usare il cavo per scopi diversi da quelli previsti ed, in particolare, non usarlo per trasportare o per appendere l'elettrotensile oppure per estrarre la spina dalla presa di corrente. Non avvicinare il cavo a fonti di calore, olio, spigoli taglienti e neppure a parti della macchina che siano in movimento. I cavi danneggiati o aggrovigliati aumentano il rischio d'insorgenza di scosse elettriche.
- Qualora si voglia usare l'elettrotensile all'aperto, impiegare solo ed esclusivamente cavi di prolunga che siano adatti per l'impiego all'esterno. L'uso di un cavo di prolunga omologato per l'impiego all'esterno riduce il rischio d'insorgenza di scosse elettriche.
- Qualora non fosse possibile evitare di utilizzare l'elettrotensile in ambiente umido, utilizzare un interruttore

di sicurezza. L'uso di un interruttore di sicurezza riduce il rischio di una scossa elettrica.

Sicurezza delle persone

- È importante concentrarsi su ciò che si sta facendo e maneggiare con giudizio l'elettrotensile durante le operazioni di lavoro. Non utilizzare mai l'elettrotensile in caso di stanchezza oppure quando ci si trovi sotto l'effetto di droghe, bevande alcoliche e medicinali. Un attimo di distrazione durante l'uso dell'elettrotensile può essere causa di gravi incidenti.
- Indossare sempre equipaggiamento protettivo individuale nonché occhiali protettivi. Indossando abbigliamento di protezione personale come la maschera per polveri, scarpe di sicurezza che non scivolino, elmetto di protezione oppure protezione acustica a seconda del tipo e dell'applicazione dell'elettrotensile, si riduce il rischio di incidenti.
- Evitare l'accensione involontaria dell'elettrotensile. Prima di collegarlo alla rete di alimentazione elettrica e/o alla batteria ricaricabile, prima di prenderlo oppure prima di iniziare a trasportarlo, assicurarsi che l'elettrotensile sia spento. Tenendo il dito sopra l'interruttore mentre si trasporta l'elettrotensile oppure collegandolo all'alimentazione di corrente con l'interruttore inserito, si vengono a creare situazioni pericolose in cui possono verificarsi seri incidenti.
- Prima di accendere l'elettrotensile togliere gli attrezzi di regolazione o la chiave inglese. Un accessorio oppure una chiave che si trovi in una parte rotante della macchina può provocare seri incidenti.
- Evitare una posizione anomala del corpo. Avere cura di mettersi in posizione sicura e di mantenere l'equilibrio in ogni situazione. In questo modo è possibile controllare meglio l'elettrotensile in caso di situazioni inaspettate.
- Indossare vestiti adeguati. Non indossare vestiti larghi, né portare bracciali e catenine. Tenere i capelli, i vestiti ed i guanti lontani da pezzi in movimento. Vestiti lenti, gioielli o capelli lunghi potranno impigliarsi in pezzi in movimento.
- In caso fosse previsto il montaggio di dispositivi di aspirazione della polvere e di raccolta, assicurarsi che gli stessi siano collegati e che vengano utilizzati correttamente. L'utilizzo di un'aspirazione polvere può ridurre lo svilupparsi di situazioni pericolose dovute alla polvere.

Trattamento accurato ed uso corretto degli elettrotensili

- Non sottoporre la macchina a sovraccarico. Per il proprio lavoro, utilizzare esclusivamente l'elettrotensile esplicitamente previsto per il caso. Con un elettrotensile adatto si lavora in modo migliore e più sicuro nell'ambito della sua potenza di prestazione.
- Non utilizzare mai elettrotensili con interruttori difettosi. Un elettrotensile con l'interruttore rotto è pericoloso e deve essere agguistato.
- Prima di procedere ad operazioni di regolazione sulla macchina, prima di sostituire parti accessorie oppure prima di posare la macchina al termine di un lavoro, estrarre sempre la spina dalla presa della corrente e/o estrarre la batteria ricaricabile. Tale precauzione eviterà che l'elettrotensile possa essere messo in funzione involontariamente.
- Quando gli elettrotensili non vengono utilizzati, conservarli al di fuori del raggio di accesso di bambini. Non fare usare l'elettrotensile a persone che non siano abituate

ad usarlo o che non abbiano letto le presenti istruzioni. Gli elettrotensili sono macchine pericolose quando vengono utilizzati da persone non dotate di sufficiente esperienza.

- Eseguire la manutenzione dell'elettrotensile operando con la dovuta diligenza. Accertarsi che le parti mobili della macchina funzionino perfettamente, che non s'incepino e che non ci siano pezzi rotti o danneggiati al punto da limitare la funzione dell'elettrotensile stesso. Prima di iniziare l'impiego, far riparare le parti danneggiate. Numerosi incidenti vengono causati da elettrotensili la cui manutenzione è stata effettuata poco accuratamente.
- Mantenere gli utensili da taglio sempre affilati e puliti. Gli utensili da taglio curati con particolare attenzione e con taglianti affilati s'incepiscono meno frequentemente e sono più facili da condurre.
- Utilizzare l'elettrotensile, gli accessori opzionali, gli utensili per applicazioni specifiche ecc., sempre attenendosi alle presenti istruzioni. Così facendo, tenere sempre presente le condizioni di lavoro e le operazioni da eseguire. L'impiego di elettrotensili per usi diversi da quelli consentiti potrà dar luogo a situazioni di pericolo.

Trattamento ed utilizzo appropriato di utensili dotati di batterie ricaricabili

- Caricare la batteria ricaricabile solo ed esclusivamente nei dispositivi di carica consigliati dal produttore. Per un dispositivo di carica previsto per un determinato tipo di batteria sussiste pericolo di incendio se viene utilizzato con un tipo diverso di batteria ricaricabile.
- Avere cura d'impiegare negli elettrotensili solo ed esclusivamente batterie ricaricabili esplicitamente previste. L'uso di batterie ricaricabili di tipo diverso potrà dare insorgenza a lesioni e comportare il rischio d'incendi.
- Non avvicinare batterie non utilizzate a fermagli, monete, chiavi, chiodi, viti e neppure ad altri piccoli oggetti metallici che potrebbero provocare un cavallottamento dei contatti. Un eventuale corto circuito tra i contatti dell'accumulatore potrà dare origine a bruciature o ad incendi.
- In caso d'impiego errato si provoca il pericolo di fuoriuscita di liquido dalla batteria ricaricabile. Evitarne assolutamente il contatto. In caso di contatto accidentale, sciacquare accuratamente con acqua. Rivolgersi immediatamente al medico, qualora il liquido dovesse entrare in contatto con gli occhi. Il liquido fuoriuscito dalla batteria ricaricabile potrà causare irritazioni cutanee o ustioni.

Assistenza

- Fare riparare l'elettrotensile solo ed esclusivamente da personale specializzato e solo impiegando pezzi di ricambio originali. In tale maniera potrà essere salvaguardata la sicurezza dell'elettrotensile.

Indicazioni di sicurezza per graffatrici azionate a batteria ricaricabile

- Partire sempre dal presupposto che l'elettrotensile contenga graffe. Un impiego senza precauzioni della graffatrice può causare un'emissione accidentale di graffe e di conseguenza provocare lesioni.
- Non puntare con l'elettrotensile verso se stessi oppure altre persone nelle vicinanze. Tramite un'attivazione accidentale viene espulsa una graffa che potrebbe causare lesioni.

- Non azionare l'elettrotensile prima che lo stesso sia applicato in modo fisso sul pezzo in lavorazione. Se l'elettrotensile non ha alcun contatto con il pezzo in lavorazione, la graffa può rimbalzare dal punto di fissaggio.
- Staccare l'elettrotensile dalla rete di corrente oppure dalla batteria ricaricabile se la graffa è bloccata nell'elettrotensile stesso. Se la graffatrice è collegata, la stessa potrebbe essere accidentalmente azionata durante la rimozione di una graffa bloccata.
- Procedere con estrema cautela durante la rimozione di una graffa bloccata. Il sistema potrebbe essere sotto carico e la graffa venire espulsa con forza mentre si tenta di eliminare il bloccaggio.
- Non utilizzare la presente graffatrice per il fissaggio di cavi elettrici. La stessa non è idonea per l'installazione di cavi elettrici, può danneggiare l'isolamento dei cavi elettrici causando di conseguenza scossa elettrica e pericoli di incendi.
- Al fine di rilevare linee di alimentazione nascoste, utilizzare adatte apparecchiature di ricerca oppure rivolgersi alla locale società erogatrice. Un contatto con linee elettriche può provocare lo sviluppo di incendi e di scosse elettriche. Danneggiando linee del gas si può creare il pericolo di esplosioni. Penetrando una tubazione dell'acqua si provocano seri danni materiali.
- Prestare attenzione alle condizioni del posto di lavoro. Elementi di fissaggio possono eventualmente passare attraverso pezzi in lavorazione sottili oppure non fare presa in caso di lavori su angoli e spigoli di pezzi in lavorazione mettendo in pericolo le persone.
- Impugnare l'elettrotensile in modo tale che durante il lavoro a testa ed il corpo non possano subire lesioni in caso di un possibile contraccolpo dovuto ad un guasto dell'alimentazione di energia oppure di punti duri nel pezzo in lavorazione.
- Non aprire la batteria. Vi è il pericolo di un corto circuito.



Proteggere la batteria ricaricabile dal calore, p. es. anche dall'irradiazione solare continuo, dal fuoco, dall'acqua e dall'umidità. Esiste pericolo di esplosione.

- In caso di difetto e di uso improprio della batteria ricaricabile vi è il pericolo di una fuoriuscita di vapori. Far entrare aria fresca e farsi visitare da un medico in caso di disturbi. I vapori possono irritare le vie respiratorie.
- Utilizzare la batteria ricaricabile esclusivamente insieme al prodotto Rapid. Solo in questo modo la batteria ricaricabile viene protetta da sovraccarico pericoloso.
- Se si usano oggetti appuntiti, come ad es. chiodi o un cacciavite, oppure se si esercita forza dall'esterno, la batteria ricaricabile può danneggiarsi. Può verificarsi un cortocircuito interno e la batteria ricaricabile può incendiarsi, emettere fumo, esplodere o surriscaldarsi.

Descrizione del prodotto e caratteristiche



Leggere tutte le avvertenze di pericolo e le istruzioni operative.

In caso di mancato rispetto delle avvertenze di pericolo e delle istruzioni operative si potrà creare il pericolo di scosse elettriche, incendi e/o incidenti gravi.

Uso conforme alle norme

L'elettrotensile è idoneo per operazioni di collegamento in lavori di copertura tetto, armature e travetti o correntini nonché nell'approntamento di elementi per pareti/soffitti, facciate in legno, palette, recinti di legno, pareti di protezione contro i rumori e casse.

Possono essere impiegati esclusivamente gli elementi di fissaggio (chiodi, graffe ecc.) che sono specificati nella tabella "Dati tecnici".

Componenti illustrati

La numerazione dei componenti illustrati si riferisce all'illustrazione dell'elettrotensile che si trova sulla pagina con la rappresentazione grafica.

- 1 Protezione per pezzo in lavorazione
- 2 Sicura contro il disinnesto
- 3 Leva di serraggio per l'apertura/chiusura del canale di espulsione
- 4 Rotellina di regolazione per la regolazione della guida di profondità
- 5 Interruttore per il bloccaggio del sistema di disinnesto
- 6 Dispositivo di disinnesto
- 7 Tasto di sbloccaggio della batteria ricaricabile
- 8 Batteria ricaricabile
- 9 Impugnatura (superficie di presa isolata)
- 10 Scomparto per la conservazione della protezione per pezzo in lavorazione
- 11 Gancio per cintura
- 12 Caricatore
- 13 Cursore del caricatore
- 14 Trascinatore chiodi
- 15 Foro di espulsione
- 16 Nastro di chiodi*

* L'accessorio illustrato oppure descritto non è compreso nel volume di fornitura standard. L'accessorio completo è contenuto nel nostro programma accessori

Dati tecnici

Chiodatrice cordless	BN64	BN50
Chiodo		
- Tipo	Chiodo 16 Ga	Chiodo 18 Ga
- Lunghezza	32-64mm	25-55mm
- Diametro	1.6mm	1.26mm
- Diametro	20°	Diritto
Capacità max caricatore	110 pz	110 pz
Dimensioni		
- Altezza	297mm	281mm
- Larghezza	95mm	95mm
- Lunghezza	329mm	321mm
- Peso*	3,16 kg	3,10 kg
Tipo di batteria	Ioni di litio	Ioni di litio
Tensione nominale	18 V DC	18 V DC
Capacità	2,0 Ah*	2,0 Ah*
Capacità	60 colpi/min.	60 colpi/min.
Capacità operativa/completamente carica (funzionamento continuo)	approx. 500 shots	approx. 500 shots
Tempo di ricarica	circa 500 spari	circa 500 spari
Temperature consentite		
Temperatura di lavoro °C	-20 ... +60	-20 ... +60
Temperatura di ricarica °C	0 ... +40	0 ... +40
Temperatura di immagazzinaggio °C	-20 ... +25	-20 ... +25

Dati tecnici determinati con la batteria fornita alla consegna.

* Batteria da 3Ah disponibile a richiesta.

Informazioni sulla rumorosità e sulla vibrazione

Valori di emissione acustica rilevati conformemente a EN 60745.

Il livello di pressione acustica stimato A della macchina ammonta a dB(A): livello di rumorosità 92,9 dB(A); livello di pressione acustica 105,0 dB(A). Incertezza della misura K=3 dB.



Usare la protezione acustica!

Valori complessivi di oscillazione ah e incertezza della misura K misurati conformemente alla norma EN 60745. $ah < 2,725 m/s^2$, $K = 1,5 m/s^2$.

Il livello di vibrazioni indicato nelle presenti istruzioni è stato rilevato seguendo una procedura di misurazione conforme alla norma EN 60745 e può essere utilizzato per confrontare gli elettrotensili. Lo stesso è idoneo anche per una valutazione temporanea della sollecitazione da vibrazioni.

Il livello di vibrazioni indicato rappresenta gli impieghi principali dell'elettrotensile. Qualora l'elettrotensile venisse utilizzato tuttavia per altri impieghi, con accessori e utensili da innesto differenti oppure con manutenzione insufficiente, il livello di vibrazioni può differire. Questo può aumentare sensibilmente la sollecitazione da vibrazioni per l'intero periodo di tempo operativo.

Per una valutazione precisa della sollecitazione da vibrazioni bisognerebbe considerare anche i tempi in cui l'apparecchio è spento oppure è acceso ma non è utilizzato effettivamente. Questo può ridurre chiaramente la sollecitazione da vibrazioni per l'intero periodo operativo.

Adottare misure di sicurezza supplementari per la protezione dell'operatore dall'effetto delle vibrazioni come p.es.: manutenzione dell'elettroutensile e degli accessori, mani calde, organizzazione dello svolgimento del lavoro.

Montaggio

Caricare la batteria

- Utilizzare esclusivamente i caricabatteria indicati nei dati tecnici. Soltanto questi caricabatteria sono adatti alle batterie agli ioni di litio utilizzate nel vostro elettroutensile.

Nota bene: La batteria ricaricabile viene fornita parzialmente carica. Per garantire l'intera potenza della batteria ricaricabile, prima del primo impiego ricaricare completamente la batteria ricaricabile nella stazione di ricarica.

La batteria ricaricabile a ioni di litio può essere ricaricata in qualsiasi momento senza ridurne la durata. Un'interruzione dell'operazione di ricarica non danneggia la batteria ricaricabile.

La batteria ricaricabile agli ioni di litio è protetta dalla "Electronic Cell Protection (ECP)" contro lo scaricamento totale. In caso di batteria scarica, l'elettroutensile si spegne tramite un interruttore automatico. Non viene più espulso alcun elemento di fissaggio.



ATTENZIONE

Dopo lo spegnimento automatico dell'elettroutensile non continuare a premere sul dispositivo di disinnesto. La batteria ricaricabile potrebbe venir danneggiata.

Si prega di attenersi alle indicazioni relative allo smaltimento.

Rimozione della batteria ricaricabile (vedi figura A)

La batteria ricaricabile 8 è dotata di due inserti di bloccaggio che devono impedire la caduta della batteria ricaricabile a causa delle vibrazioni in caso di impiego intensivo.

- Premere il tasto di sbloccaggio 7 (1.) e spingere contemporaneamente la batteria ricaricabile in avanti.
- Premere nuovamente il tasto di sbloccaggio 7 (2.) e rimuovere completamente indietro la batteria ricaricabile.

Ricaricare il caricatore (vedi figure B1–B4)



Bloccare il sistema di disinnesto e rimuovere la batteria ricaricabile prima di effettuare regolazioni sull'apparecchio, sostituire parti accessorie oppure riporre l'elettroutensile. Questa misura preventiva impedisce l'avvio accidentale dell'elettroutensile.

- Utilizzare esclusivamente accessori originali Rapid (vedi "Dati tecnici"). I componenti di precisione dell'elettroutensile come caricatore, foro di espulsione e canale di espulsione sono adattati a graffe, chiodi e punte della Rapid. Altri produttori utilizzano qualità di acciaio e dimensioni diverse. L'impiego di elementi di fissaggio non ammessi può danneggiare l'elettroutensile e causare lesioni.

Durante il caricamento del caricatore tenere l'elettroutensile in

modo tale che il foro di espulsione 15 non sia rivolto né verso il proprio corpo né in direzione di altre persone.

- In caso di necessità pulire il cursore del caricatore 13 ed assicurarsi che il caricatore 12 non sia sporco.
- Spingere un nastro di chiodi 16 adatto nella fessura a T sull'estremità del caricatore 12.
- Premere il trascinatore chiodi 14 precaricato contro il cursore del caricatore 13 e tirare contemporaneamente il cursore del caricatore completamente fino all'estremità del caricatore 12.

Nota bene: Il cursore del caricatore deve poter essere spinto indietro senza l'impiego di eccessiva forza (solo con la forza del dito). Un cursore del caricatore che scorre a fatica causa l'espulsione dei chiodi con un angolo non corretto.

- Portare con cautela in avanti il cursore del caricatore 13 con trascinatore chiodi 14 premuto fino a quando il trascinatore chiodi è introdotto sopra l'ultimo chiodo e spingere in questo modo completamente in avanti il nastro di chiodi nel caricatore.

Nota bene: Non permettere che il cursore del caricatore scatti indietro senza essere condotto. Durante questo movimento il cursore del caricatore potrebbe danneggiarsi ed esiste il pericolo che possano rimanere incastrate le dita.

Uso

Sistema di disinnesto

Disinnesto singolo con sicura contro sequenza

Con questo sistema di disinnesto deve essere applicata innanzitutto la sicura contro il disinnesto 2 in modo saldo sul pezzo in lavorazione. Un elemento di fissaggio viene espulso solamente poi premendo il dispositivo di disinnesto 6.

Successivamente possono essere effettuati ulteriori colpi solamente se il dispositivo di disinnesto e la sicura contro il disinnesto sono stati riportati precedentemente nella posizione iniziale.

Avviamento



Bloccare il sistema di disinnesto e rimuovere la batteria ricaricabile prima di effettuare regolazioni sull'apparecchio, sostituire parti accessorie oppure riporre l'elettroutensile. Questa misura preventiva impedisce l'avvio accidentale dell'elettroutensile.

Applicazione della batteria ricaricabile

- Utilizzare esclusivamente batterie agli ioni di litio originali Rapid dotate della tensione riportata sulla targhetta di costruzione dell'elettroutensile in dotazione. L'impiego di batterie diverse da quelle consigliate potrà comportare il pericolo di lesione o d'incendio.
- Applicare la batteria ricaricata 8 nell'impugnatura fino a percepire lo scatto d'innesto e si trovi a filo con l'impugnatura.

Espulsione dei chiodi (vedi figura C)

- Applicare il foro di espulsione 15 oppure ev. la protezione gommata per il pezzo in lavorazione 1 saldamente sul pezzo in lavorazione fino a quando la sicura contro il disinnesto 2 è completamente premuta.

- Successivamente premere brevemente il dispositivo di disinnesto 6 e rilasciarlo di nuovo. Contemporaneamente viene espulso un chiodo.
- Lasciare che l'elettrotensile rimbalzi dal pezzo in lavorazione.
- Per un'ulteriore colpo sollevare completamente l'elettrotensile dal pezzo in lavorazione ed applicarlo di nuovo saldamente sul successivo punto desiderato.

Bloccaggio del sistema di disinnesto

Bloccare il sistema di disinnesto prima di effettuare regolazioni sull'apparecchio, sostituire parti accessorie, riporre l'elettrotensile in caso di lunghe pause di lavoro oppure al termine del lavoro.

Indicazioni operative



Bloccare il sistema di disinnesto e rimuovere la batteria ricaricabile prima di effettuare regolazioni sull'apparecchio, sostituire parti accessorie oppure riporre l'elettrotensile. Questa misura preventiva impedisce l'avvio accidentale dell'elettrotensile.

Prima dell'inizio di ogni lavoro controllare il perfetto funzionamento dei dispositivi di sicurezza e dei dispositivi di disinnesto nonché la sede fissa di tutte le viti e dadi.

Staccare immediatamente dall'alimentazione elettrica un elettrotensile difettoso oppure che non lavora correttamente e contattare un centro di assistenza clienti autorizzato Rapid.

Non effettuare alcuna manipolazione irregolare sull'elettrotensile.

Non smontare oppure bloccare alcun componente dell'elettrotensile, come ad es. la sicura contro disinnesto. Non effettuare "riparazioni d'emergenza" con mezzi non adatti. L'elettrotensile deve essere sottoposto regolarmente e correttamente a manutenzione (vedi "Manutenzione e pulizia").

Evitare qualsiasi indebolimento e danneggiamento dell'elettrotensile, p. es. tramite:

- martellamento oppure incisione,
- interventi di modifica non autorizzati dal produttore,
- conduzione su sagome che sono prodotte in materiale duro, p. es. acciaio,
- caduta su pavimento oppure spostamento sopra il pavimento,
- utilizzo come martello,
- qualsiasi tipo di azioni di forza.

Assicurarsi relativamente a cosa si trova sotto o dietro il pezzo in lavorazione. Non sparare chiodi in pareti, soffitti oppure pavimenti se dietro vi sono delle persone. I chiodi possono passare attraverso il pezzo in lavorazione e ferire qualcuno

Non sparare alcun chiodo su un chiodo già conficcato. Facendo questo il chiodo può deformarsi, i chiodi possono incastrarsi oppure l'elettrotensile può muoversi in modo incontrollato.

Se l'elettrotensile viene impiegato con condizioni ambientali fredde, i primi chiodi vengono espulsi più lentamente del normale. Dopo che l'elettrotensile si è riscaldato durante il lavoro, è possibile di nuovo una velocità di lavoro normale.

Per ridurre al minimo l'azione di usura del punzone di percussione evitare di far scattare colpi a vuoto.

In caso di pause di lavoro più lunghe oppure al termine del lavoro bloccare il sistema di disinnesto e svuotare possibilmente il caricatore.

Svuotare il caricatore (vedi figure D1–D2)

- Tirare indietro il cursore del caricatore 13 con trascinatore chiodi 14 premuto fino a quando il trascinatore chiodi sblocca l'ultimo chiodo e condurre poi con cautela in avanti il cursore del caricatore fino all'inizio del caricatore 12.

Nota bene: Non permettere che il cursore del caricatore scatti indietro senza essere condotto. Durante questo movimento il cursore del caricatore potrebbe danneggiarsi ed esiste il pericolo che possano rimanere incastrate le dita.

Regolazione della guida di profondità (vedi figura E)

La profondità di inserimento dei chiodi può essere regolata con la rotellina di regolazione 4.

- Svuotare il caricatore 12. (vedi "Svuotare il caricatore")
- **I chiodi vengono espulsi troppo in profondità:**
Per ridurre la profondità di inserimento ruotare la rotellina di regolazione 4 in senso antiorario oppure
- **I chiodi non vengono espulsi con sufficiente profondità:**
Per aumentare la profondità di inserimento ruotare la rotellina di regolazione 4 in senso orario.
- Caricare di nuovo il caricatore. (vedi "Ricaricare il caricatore")
- Provare la nuova profondità di inserimento su un pezzo di prova.
In caso di necessità ripetere le operazioni.

Eliminazione dei bloccaggi (vedi figure F1–F2)

Singoli chiodi possono bloccarsi nel canale di espulsione. Qualora questo dovesse ripetersi frequentemente, contattare un centro di assistenza clienti autorizzato Rapid.

Nota bene: Se dopo l'eliminazione del bloccaggio il punzone non dovesse più tornare indietro, contattare un centro di assistenza clienti autorizzato Rapid.

- Rilasciare il dispositivo di disinnesto 6.
- Bloccare il sistema di disinnesto (vedi "Bloccaggio del sistema di disinnesto") e rimuovere la batteria ricaricabile 8.
- Svuotare il caricatore 12. (vedi "Svuotare il caricatore")
- Premere la leva di serraggio 3 verso il basso in modo tale che sia possibile aprire il canale di espulsione.
- Rimuovere il chiodo bloccato. In caso di necessità utilizzare allo scopo una pinza.
- Chiudere il canale di espulsione, agganciare la staffa della leva di serraggio 3 nei ganci sul canale di espulsione e premere poi la leva di serraggio di nuovo verso l'alto.
- Caricare di nuovo il caricatore. (vedi "Ricaricare il caricatore")

Sostituzione della protezione per pezzo in lavorazione (vedi figura G)

La protezione per pezzo in lavorazione 1 all'estremità della sicura contro disinnesto 2 protegge il pezzo in lavorazione fino a quando l'elettrotensile è posizionato correttamente per il colpo.

La protezione per pezzo in lavorazione può essere rimossa e sostituita.

- Rimuovere la protezione per pezzo in lavorazione dalla sicura contro disinnesto.
- Spingere la nuova protezione per pezzo in lavorazione con l'estremità aperta sopra la sicura contro disinnesto.

Nota bene: Una protezione per pezzo in lavorazione di ricambio può essere conservata sul lato superiore del caricatore 12. Allo scopo spingere la protezione per pezzo in lavorazione nello scomparto 10.

Trasporto e conservazione

Per il trasporto dell'elettrotrattente bloccare il sistema di disinnesto (vedi "Bloccaggio del sistema di disinnesto"), in modo particolare se vengono utilizzate scale oppure se ci si muove con una postura inconsueta.

Trasportare l'elettrotrattente sul posto di lavoro tenendolo esclusivamente per l'impugnatura 9 e con dispositivo di disinnesto 6 non azionato.

Conservare sempre l'elettrotrattente separato dalla batteria ricaricabile e in un posto asciutto e caldo.

Se l'elettrotrattente non deve essere impiegato per lungo tempo, ricoprire le parti in acciaio dell'utensile con un sottile strato di olio. Questo impedisce la formazione di ruggine.

Manutenzione ed assistenza

Manutenzione e pulizia



Bloccare il sistema di disinnesto e rimuovere la batteria ricaricabile prima di effettuare regolazioni sull'apparecchio, sostituire parti accessorie oppure riporre l'elettrotrattente. Questa misura preventiva impedisce l'avvio accidentale dell'elettrotrattente.

- Per poter garantire buone e sicure operazioni di lavoro, tenere sempre puliti l'elettrotrattente e le prese di ventilazione.

Programma di manutenzione

Pulire il caricatore 12. Rimuovere trucioli di plastica o legno che possono essersi accumulati nel caricatore durante il lavoro.

Pulire l'elettrotrattente ad intervalli regolari con l'ausilio di aria compressa.

Trasporto

Le batterie ricaricabili agli ioni di litio contenute sono soggette ai requisiti di legge relativi a merci pericolose. Le batterie ricaricabili possono essere trasportate su strada tramite l'utente senza ulteriori precauzioni.

In caso di spedizione tramite terzi (es.: trasporto aereo oppure spedizioniere) devono essere osservati particolari requisiti relativi ad imballo e marcatura. In questo caso per la preparazione del pezzo da spedire è necessario ricorrere ad un esperto per merce pericolosa.

Spedire batterie ricaricabili solamente se la carcassa non è danneggiata. Coprire con nastro adesivo i contatti scoperti ed imballare la batteria ricaricabile in modo tale che non si muova nell'imballo.

Vi preghiamo di osservare anche eventuali ulteriori norme nazionali.

Smaltimento



Avviare ad un riciclaggio rispettoso dell'ambiente elettrotrattenti, batterie ricaricabili, accessori ed imballaggi non più impiegabili.

Non gettare elettrotrattenti, stazioni di ricarica e batterie ricaricabili/batterie tra i rifiuti domestici!

Solo per i Paesi della CE



Conformemente alla direttiva europea 2012/19/UE gli elettrotrattenti diventati inservibili e, in base alla direttiva europea 2006/66/CE, le batterie ricaricabili/batterie difettose o consumate devono essere raccolte separatamente ed essere inviate ad una riutilizzazione ecologica.

Español

Instrucciones de seguridad

Advertencias de peligro generales para herramientas Eléctricas



ADVERTENCIA

Lea íntegramente estas advertencias de peligro e instrucciones. En caso de no atenderse a las advertencias de peligro e instrucciones siguientes, ello puede ocasionar una descarga eléctrica, un incendio y/o lesión grave.

Guardar todas las advertencias de peligro e instrucciones para futuras consultas.

El término herramienta eléctrica empleado en las siguientes advertencias de peligro se refiere a herramientas eléctricas de conexión a la red (con cable de red) y a herramientas eléctricas accionadas por acumulador (o sea, sin cable de red).

Seguridad del puesto de trabajo

- Mantenga limpio y bien iluminado su puesto de trabajo. El desorden o una iluminación deficiente en las áreas de trabajo pueden provocar accidentes.
- No utilice la herramienta eléctrica en un entorno con peligro de explosión, en el que se encuentren combustibles líquidos, gases o material en polvo. Las herramientas eléctricas producen chispas que pueden llegar a inflamar los materiales en polvo o vapores.
- Mantenga alejados a los niños y otras personas de su puesto de trabajo al emplear la herramienta eléctrica. Una distracción le puede hacer perder el control sobre la herramienta eléctrica.

Seguridad eléctrica

- El enchufe de la herramienta eléctrica debe corresponder a la toma de corriente utilizada. No es admisible modificar el enchufe en forma alguna. No emplear adaptadores en herramientas eléctricas dotadas con una toma de tierra. Los enchufes sin modificar adecuados a las respectivas tomas de corriente reducen el riesgo de una descarga eléctrica.
- Evite que su cuerpo toque partes conectadas a tierra como tuberías, radiadores, cocinas y refrigeradores. El riesgo a quedar expuesto a una sacudida eléctrica es mayor si su cuerpo tiene contacto con tierra.
- No exponga la herramienta eléctrica a la lluvia y evite que penetren líquidos en su interior. Existe el peligro de recibir una descarga eléctrica si penetran ciertos líquidos en la herramienta eléctrica.
- No utilice el cable de red para transportar o colgar la herramienta eléctrica, ni tire de él para sacar el enchufe de la toma de corriente. Mantenga el cable de red alejado del calor, aceite, esquinas cortantes o piezas móviles. Los cables de red dañados o enredados pueden provocar una descarga eléctrica.
- Al trabajar con la herramienta eléctrica a la intemperie utilice solamente cables de prolongación apropiados para su uso en exteriores. La utilización de un cable de

prolongación adecuado para su uso en exteriores reduce el riesgo de una descarga eléctrica.

- Si fuese imprescindible utilizar la herramienta eléctrica en un entorno húmedo, es necesario conectarla a través de un fusible diferencial. La aplicación de un fusible diferencial reduce el riesgo a exponerse a una descarga eléctrica.

Seguridad de personas

- Esté atento a lo que hace y emplee la herramienta eléctrica con prudencia. No utilice la herramienta eléctrica si estuviese cansado, ni tampoco después de haber consumido alcohol, drogas o medicamentos. El no estar atento durante el uso de la herramienta eléctrica puede provocarle serias lesiones.
- Utilice un equipo de protección personal y en todo caso unas gafas de protección. El riesgo a lesionarse se reduce considerablemente si, dependiendo del tipo y la aplicación de la herramienta eléctrica empleada, se utiliza un equipo de protección adecuado como una mascarilla antipolvo, zapatos de seguridad con suela antideslizante, casco, o protectores auditivos.
- Evite una puesta en marcha fortuita. Asegurarse de que la herramienta eléctrica esté desconectada antes de conectarla a la toma de corriente y/o al montar el acumulador, al recogerla, y al transportarla. Si transporta la herramienta eléctrica sujetándola por el interruptor de conexión/desconexión, o si alimenta la herramienta eléctrica estando ésta conectada, ello puede dar lugar a un accidente.
- Retire las herramientas de ajuste o llaves fijas antes de conectar la herramienta eléctrica. Una herramienta de ajuste o llave fija colocada en una pieza rotante puede producir lesiones al poner a funcionar la herramienta eléctrica.
- Evite posturas arriesgadas. Trabaje sobre una base firme y mantenga el equilibrio en todo momento. Ello le permitirá controlar mejor la herramienta eléctrica en caso de presentarse una situación inesperada.
- Lleve puesta una vestimenta de trabajo adecuada. No utilice vestimenta amplia ni joyas. Mantenga su pelo, vestimenta y guantes alejados de las piezas móviles. La vestimenta suelta, el pelo largo y las joyas se pueden enganchar con las piezas en movimiento.
- Siempre que sea posible utilizar unos equipos de aspiración o captación de polvo, asegúrese que éstos estén montados y que sean utilizados correctamente. El empleo de estos equipos reduce los riesgos derivados del polvo.

Uso y trato cuidadoso de herramientas eléctricas

- No sobrecargue la herramienta eléctrica. Use la herramienta eléctrica prevista para el trabajo a realizar. Con la herramienta adecuada podrá trabajar mejor y más seguro dentro del margen de potencia indicado.
- No utilice herramientas eléctricas con un interruptor defectuoso. Las herramientas eléctricas que no se puedan conectar o desconectar son peligrosas y deben hacerse reparar.
- Saque el enchufe de la red y/o desmonte el acumulador antes de realizar un ajuste en la herramienta eléctrica, cambiar de accesorio o al guardar la herramienta eléctrica.

Esta medida preventiva reduce el riesgo a conectar accidentalmente la herramienta eléctrica.

- Guarde las herramientas eléctricas fuera del alcance de los niños. No permita la utilización de la herramienta eléctrica a aquellas personas que no estén familiarizadas con su uso o que no hayan leído estas instrucciones. Las herramientas eléctricas utilizadas por personas inexpertas son peligrosas.
- Cuide la herramienta eléctrica con esmero. Controle si funcionan correctamente, sin atascarse, las partes móviles de la herramienta eléctrica, y si existen partes rotas o deterioradas que pudieran afectar al funcionamiento de la herramienta eléctrica. Haga reparar estas piezas defectuosas antes de volver a utilizar la herramienta eléctrica. Muchos de los accidentes se deben a herramientas eléctricas con un mantenimiento deficiente.
- Mantenga los útiles limpios y afilados. Los útiles mantenidos correctamente se dejan guiar y controlar mejor.
- Utilice la herramienta eléctrica, accesorios, útiles, etc. de acuerdo a estas instrucciones, considerando en ello las condiciones de trabajo y la tarea a realizar. El uso de herramientas eléctricas para trabajos diferentes de aquellos para los que han sido concebidas puede resultar peligroso.

Trato y uso cuidadoso de herramientas accionadas por acumulador

- Solamente cargar los acumuladores con los cargadores recomendados por el fabricante. Existe un riesgo de incendio al intentar cargar acumuladores de un tipo diferente al previsto para el cargador.
- Solamente emplee los acumuladores previstos para la herramienta eléctrica. El uso de otro tipo de acumuladores puede provocar daños e incluso un incendio.
- Si no utiliza el acumulador, guárdelo separado de clips, monedas, llaves, clavos, tornillos o demás objetos metálicos que pudieran puentear sus contactos. El cortocircuito de los contactos del acumulador puede causar quemaduras o un incendio.
- La utilización inadecuada del acumulador puede provocar fugas de líquido. Evite el contacto con él. En caso de un contacto accidental enjuagar el área afectada con abundante agua. En caso de un contacto con los ojos recurra además inmediatamente a un médico. El líquido del acumulador puede irritar la piel o producir quemaduras.

Servicio

- Únicamente haga reparar su herramienta eléctrica por un profesional, empleando exclusivamente piezas de repuesto originales. Solamente así se mantiene la seguridad de la herramienta eléctrica.

Instrucciones de seguridad para clavadoras/grapadoras accionadas por acumulador

- Siempre proceda considerando que la herramienta eléctrica va cargada con grapas. Al manejar despreocupadamente la clavadora/grapadora pueden salir disparadas inesperadamente grapas y lesionarle.
- No dirija la herramienta eléctrica contra Ud. ni contra otras personas situadas en la proximidad. Al accionar el gatillo por descuido puede que resulte dañado por la grapa expulsada.

- No accione la herramienta eléctrica antes de haberla asentado firmemente contra la pieza de trabajo. Si la herramienta eléctrica no tiene contacto con la pieza de trabajo puede que la grapa resulte rebotada.
- Desconecte la herramienta eléctrica de la red, o retire el acumulador de la misma, si la grapa se ha atascado en la herramienta eléctrica. Una clavadora/grapadora conectada a la alimentación puede llegar a ser accionada fortuitamente al tratar de retirar la grapa obstruida.
- Preste atención al retirar una grapa atascada. Puede que el mecanismo esté tenso y la grapa salga bruscamente expulsada al tratar de eliminar la obstrucción.
- No utilice esta clavadora/grapadora para sujetar conductores eléctricos. No es apropiada para la instalación de conductores eléctricos, por lo que puede dañar el aislamiento de los cables y provocar una electrocución o un incendio.
- Utilice unos aparatos de exploración adecuados para detectar conductores o tuberías ocultas, o consulte a sus compañías abastecedoras. El contacto con conductores eléctricos puede provocar un incendio o una electrocución. Al dañar una tubería de gas puede producirse una explosión. La perforación de una tubería de agua puede causar daños materiales.
- Tenga en cuenta las particularidades de la pieza de trabajo. Los elementos de sujeción pueden traspasar piezas delgadas, o resbalar al trabajar en los bordes o esquinas y lesionar a personas.
- Al trabajar sujete la herramienta eléctrica de modo que su cabeza o cuerpo no pueda lesionarse si la herramienta rebota bruscamente debido a una anomalía en la alimentación o al golpear contra una parte dura en la pieza de trabajo.
- No intente abrir el acumulador. Podría provocar un cortocircuito.



Proteja el acumulador del calor excesivo como, p. ej., de una exposición prolongada al sol, del fuego, del agua y de la humedad. Existe el riesgo de explosión.

- Si el acumulador se daña o usa de forma inapropiada puede que éste emane vapores. Ventile con aire fresco el recinto y acuda a un médico si nota alguna molestia. Los vapores pueden llegar a irritar las vías respiratorias.
- Únicamente utilice el acumulador en combinación con su producto Rapid. Solamente así queda protegido el acumulador contra una sobrecarga peligrosa.
- Mediante objetos puntiagudos, como p. ej. clavos o destornilladores, o por influjo de fuerza exterior se puede dañar el acumulador. Se puede generar un cortocircuito interno y el acumulador puede arder, humear, explotar o sobrecalentarse.

Descripción y prestaciones del producto



Lea íntegramente estas advertencias de peligro e instrucciones.

En caso de no atenderse a las advertencias de peligro e instrucciones siguientes, ello puede ocasionar una descarga eléctrica, un incendio y/o lesión grave.

Utilización reglamentaria

La herramienta eléctrica ha sido diseñada para realizar trabajos de ensamble en armazones de tejados, encofrados, clavado de tablas, fabricación de módulos de pared y techo, fachadas de madera, palets, cercas de madera, paredes insonorizadas y cajones.

Únicamente deberán usarse los elementos de sujeción (clavos, grapas, etc.) detallados en la tabla "Datos técnicos".

Componentes principales

The numbering of the product features refers to the illustration of the machine on the graphics page.

- 1 Protector de la pieza
- 2 Seguro
- 3 Palanca de cierre y apertura del canal de expulsión
- 4 Rueda de ajuste del tope de profundidad
- 5 Palanca de bloqueo del sistema de activación
- 6 Disparador
- 7 Botón de extracción del acumulador
- 8 Acumulador
- 9 Empuñadura (zona de agarre aislada)
- 10 Alojamiento para guardar el protector de la pieza
- 11 Gancho de sujeción al cinturón
- 12 Cargador
- 13 Corredera de empuje
- 14 Arrastrador de clavos
- 15 Boca
- 16 Tira de clavos*

* Los accesorios descritos e ilustrados no corresponden al material que se adjunta de serie. La gama completa de accesorios opcionales se detalla en nuestro programa de accesorios.

Datos técnicos

Clavadora sin cable	BN64	BN50
Fijaciones		
Tipo	Clavillos 16 Ga	Clavillos 18 Ga
Longitud	32-64mm	25-55mm
Diámetro	1.6mm	1.26mm
Ángulo	20°	Recto
Capacidad del cargador. máx.	110 unids.	110 unids.
Dimensiones		
Altura	297mm	281mm
Anchura	95mm	95mm
Longitud	329mm	321mm
Peso*	3,16 kg	3,10 kg
Tipo de batería	Li-Ion	Li-Ion
Tensión nominal	18 V DC	18 V DC
Capacidad	2,0 Ah*	2,0 Ah*
Velocidad máx. de clavado	60 disparos/ min.	60 disparos/ min.
Capacidad operativa/plena carga (funcionamiento continuo)	500 disparos aprox.	500 disparos aprox.
Tiempo de recarga	50 min	50 min
Tiempo de recarga		
Temperatura operativa °C	-20 ... +60	-20 ... +60
Temperatura de carga °C	0 ... +40	0 ... +40
Temperatura de almacenamiento °C	-20 ... +25	-20 ... +25

Especificaciones técnicas determinadas con batería suministrada.

*Batería de 3.0 Ah disponible como accesorio adicional.

Información sobre ruidos y vibraciones

Valores de emisión de ruidos determinados según EN 60745.

El nivel de presión sonora típico del aparato, determinado con un filtro A, asciende a: Nivel de presión sonora 92,9 dB(A); nivel de potencia acústica 105,0 dB(A). Tolerancia K=3 dB.



¡Usar unos protectores auditivos!

Nivel total de vibraciones ah y tolerancia K determinados según EN 60745: ah < 2,725 m/s², K = 1,5 m/s².

El nivel de vibraciones indicado en estas instrucciones ha sido determinado según el procedimiento de medición fijado en la norma EN 60745 y puede servir como base de comparación con otras herramientas eléctricas. También es adecuado para estimar provisionalmente la solicitación experimentada por las vibraciones.

El nivel de vibraciones indicado ha sido determinado para las aplicaciones principales de la herramienta eléctrica. Por ello, el nivel de vibraciones puede ser diferente si la herramienta eléctrica se utiliza para otras aplicaciones, con accesorios diferentes, con útiles divergentes, o si el mantenimiento de

la misma fuese deficiente. Ello puede suponer un aumento drástico de la sollicitación por vibraciones durante el tiempo total de trabajo.

Para determinar con exactitud la sollicitación experimentada por las vibraciones, es necesario considerar también aquellos tiempos en los que el aparato esté desconectado, o bien, esté en funcionamiento, pero sin ser utilizado realmente. Ello puede suponer una disminución drástica de la sollicitación por vibraciones durante el tiempo total de trabajo.

Fije unas medidas de seguridad adicionales para proteger al usuario de los efectos por vibraciones, como por ejemplo: Mantenimiento de la herramienta eléctrica y de los útiles, conservar calientes las manos, organización de las secuencias de trabajo.

Montaje

Carga del acumulador

- Utilice únicamente los cargadores que se enumeran en los datos técnicos. Solamente estos cargadores han sido especialmente adaptados a los acumuladores de iones de litio empleados en su herramienta eléctrica.

Observación: El acumulador se suministra parcialmente cargado. Con el fin de obtener la plena potencia del acumulador, antes de su primer uso, cárguelo completamente en el cargador.

El acumulador de iones de litio puede recargarse siempre que se quiera, sin que ello merme su vida útil. Una interrupción del proceso de carga no afecta al acumulador.

El acumulador de iones de litio va protegido contra altas descargas por "Electronic Cell Protection (ECP) (Protección Electrónica de Celdas)". Si el acumulador está descargado, un circuito de protección se encarga de desconectar la herramienta eléctrica: Se dejan de disparar los clavos o grapas.



ATENCIÓN

No mantenga accionado el disparador si la herramienta eléctrica se hubiese desconectado automáticamente. Ello podría perjudicar al acumulador.

Observe las indicaciones referentes a la eliminación.

Desmontaje del acumulador (ver figura A)

El acumulador 8 es bloqueado en dos etapas para evitar que éste se salga debido a las vibraciones producidas durante un uso intenso.

- Presione el botón de extracción 7 (1.) al tiempo que empuja hacia delante el acumulador.
- Presione nuevamente el botón de extracción 7 (2.) y saque completamente hacia atrás el acumulador.

Llenado del cargador de grapas (ver figuras B1–B4)



Bloquee el sistema de activación y saque el acumulador antes de realizar un ajuste, cambiar de accesorio o al dejar de utilizar la herramienta eléctrica. Esta medida preventiva evita el riesgo de una conexión accidental de la herramienta eléctrica.

- Solamente utilice accesorios originales Rapid (ver "Datos

técnicos"). Las piezas de precisión de la herramienta eléctrica como el cargador, la boca y el canal de expulsión han sido especialmente concebidas para trabajar con grapas, clavos y puntas Rapid. Otros fabricantes emplean acero de una calidad y dimensiones diferentes.

El uso de elementos de sujeción inapropiados puede perjudicar a la herramienta eléctrica y acarrear lesiones.

Al llenar el cargador mantenga la herramienta eléctrica de manera que la boca 15 de la misma no quede dirigida contra su propio cuerpo ni contra otras personas.

- Si procede, limpie la corredera de empuje 13 y asegúrese de que esté limpio el cargador 12.
- Introduzca una tira de clavos 16 apropiada en la ranura en T situada al extremo del cargador 12.
- Presione el arrastrador de clavos 14 pretensado contra la corredera de empuje 13 al tiempo que empuja la misma hasta el fondo del cargador 12.

Observación: La corredera de empuje deberá poder desplazarse hacia atrás sin gran esfuerzo (tan sólo con la propia fuerza de los dedos). Si la corredera de empuje desliza con dificultad los clavos disparados penetran en un ángulo incorrecto.

- Guíe con cuidado, hacia delante, la corredera de empuje 13 manteniendo presionado el arrastrador de clavos 14 de forma que éste deslice sobre el último clavo y empuje así completamente hacia el frente la tira de clavos en el cargador.

Observación: No deje que la corredera de empuje recupere bruscamente por sí sola la posición inicial. En ese caso podría dañarse la corredera de empuje, además de existir el riesgo de que se pille los dedos con ella.

Operación

Sistema de activación

Activación individual protegida

Este sistema de activación requiere aplicar primero el seguro 2 contra la pieza de trabajo. El elemento de sujeción solamente es expulsado al accionarse el disparador 6.

A continuación, la herramienta neumática solamente puede volver a activarse si el disparador y el seguro se encuentran nuevamente en la posición de partida.

Puesta en marcha



Bloquee el sistema de activación y saque el acumulador antes de realizar un ajuste, cambiar de accesorio o al dejar de utilizar la herramienta eléctrica. Esta medida preventiva evita el riesgo de una conexión accidental de la herramienta eléctrica.

Montaje del acumulador

- Solamente utilice acumuladores de iones de litio originales Rapid de la tensión indicada en la placa de características de su herramienta eléctrica. El uso de otro tipo de acumuladores puede provocar daños e incluso un incendio.
- Monte el acumulador cargado 8 asentándolo hasta el tope en la empuñadura, cuidando que quede enclavado de forma perceptible.

Disparo de clavos (ver figura C)

- Presione firmemente la boca 15, o bien, el protector de la pieza 1 revestido de goma contra la pieza de trabajo hasta empujar completamente hacia dentro el seguro 2.
- Seguidamente, accione brevemente el disparador 6 y suéltelo a continuación. Entonces se dispara un clavo.
- Deje que la herramienta eléctrica rebote contra la pieza de trabajo.
- Para continuar disparando, separe completamente la herramienta eléctrica de la pieza de trabajo y asíntela firmemente de nuevo sobre el siguiente punto deseado.

Bloqueo del sistema de activación

Bloquee el sistema de activación antes de realizar un ajuste en el aparato, al cambiar de accesorio, en las pausas, o al terminar el trabajo.

Instrucciones para la operación



Bloquee el sistema de activación y saque el acumulador antes de realizar un ajuste, cambiar de accesorio o al dejar de utilizar la herramienta eléctrica. Esta medida preventiva evita el riesgo de una conexión accidental de la herramienta eléctrica.

Antes de comenzar a trabajar controle siempre el correcto funcionamiento de los dispositivos de seguridad y activación, así como la sujeción firme de todos los tornillos y tuercas.

Desconecte inmediatamente de la alimentación una herramienta eléctrica defectuosa o que funcione incorrectamente y acuda a un servicio técnico Rapid autorizado.

No efectúe manipulaciones antirreglamentarias en la herramienta eléctrica. No desmonte ni bloquee ninguna pieza de la herramienta eléctrica como, p. ej., el seguro.

No realice "reparaciones provisionales" con medios inapropiados. La herramienta eléctrica deberá someterse a un mantenimiento profesional periódico (ver "Mantenimiento y limpieza").

Evite cualquier debilitamiento o deterioro de la herramienta eléctrica como, p. ej.:

- Estampando o grabando algo sobre ella.
- Realizando una transformación no autorizada por el fabricante.
- Guiándola a lo largo de plantillas fabricadas de un material duro como, p. ej., acero.
- Dejándola caer o arrastrándola por el suelo.
- Utilizándola como martillo.
- Efectuando cualquier tipo de acción violenta.

Examine si se encuentra algo debajo o detrás de la pieza de trabajo. No fije clavos en paredes, techos o suelos si detrás de ellos se encuentran personas. Los clavos pueden traspasar la pieza y causar un accidente.

No intente clavar un clavo encima de otro. El clavo puede deformarse, atascarse con el otro, o la herramienta eléctrica puede moverse de forma incontrolada.

Si la herramienta eléctrica se utiliza a bajas temperaturas los primeros clavos se introducen más lentamente de lo común. Una vez que la herramienta eléctrica se ha calentado por el uso, la velocidad de trabajo vuelve a ser normal.

Evite disparar con el cargador vacío para evitar un mayor desgaste del percutor.

En las pausas largas o al finalizar el trabajo bloquee el sistema de activación y vacíe el cargador siempre que sea posible.

Vaciado del cargador (ver figuras D1–D2)

- Lleve hacia atrás la corredera de empuje 13 teniendo presionado el arrastrador de clavos 14 de manera que éste libere el último clavo, y desplace entonces con cuidado la corredera de empuje hacia delante hasta el comienzo del cargador 12.

Observación: No deje que la corredera de empuje recupere bruscamente por sí sola la posición inicial. En ese caso podría dañarse la corredera de empuje, además de existir el riesgo de que se pille los dedos con ella.

Ajuste del tope de profundidad (ver figura E)

La profundidad de penetración de los clavos puede fijarse con la rueda de ajuste 4.

- Vacíe el cargador 12. (ver "Vaciado del cargador")
- **Profundidad de penetración de los clavos, excesiva:** Para reducir la profundidad de penetración gire la rueda de ajuste 4 en sentido contrario a las agujas del reloj.
 - o
- **Profundidad de penetración de los clavos, demasiado baja:** Para aumentar la profundidad de penetración gire la rueda de ajuste 4 en el sentido de las agujas del reloj.
- Vuelva a llenar el cargador. (ver "Llenado del cargador de grapas")
- Compruebe en una pieza de desperdicio la profundidad de penetración ajustada. Si procede, repita los pasos de trabajo.

Eliminación de atascos (ver figuras F1–F2)

En casos aislados puede ocurrir que se queden atascados clavos en el canal de expulsión. Si esto ocurriese con bastante frecuencia consulte a un servicio técnico Rapid autorizado.

Observación: Si tras el desatasco, el percutor no recupera su posición de partida, acuda a un servicio técnico Rapid autorizado.

- Suelte el disparador 6.
- Bloquee el sistema de activación (ver "Bloqueo del sistema de activación") y retire el acumulador 8.
- Vacíe el cargador 12. (ver "Vaciado del cargador")
- Gire hacia abajo la palanca 3 de manera que pueda abrirse el canal de expulsión.
- Retire el clavo atascado. Si fuese preciso utilice para ello una tenaza.
- Cierre el canal de expulsión, enganche el estribo de la palanca 3 en los ganchos del canal de expulsión, y vuelva a girar hacia arriba la palanca.
- Vuelva a llenar el cargador. (ver "Llenado del cargador de grapas")

Cambio del protector de la pieza (ver figura G)

El protector de la pieza 1 situado al final del seguro 2 protege la pieza de trabajo hasta que se vuelva a presionar la herramienta eléctrica contra el punto de sujeción previsto.

El protector de la pieza puede retirarse y sustituirse.

- Desprenda el protector de la pieza del seguro.
- Encaje el lado abierto del protector de la pieza nuevo, en el seguro

Observación: Es posible guardar un protector de recambio en la parte superior del cargador 12. Para ello, introduzca el protector de la pieza en el alojamiento 10.

Transporte y almacenaje

Bloquee el sistema de activación (ver "Bloqueo del sistema de activación") al transportar la herramienta eléctrica, especialmente si está subido a una escalera o si tiene que desplazarse manteniendo una postura desacomunada.

Solamente transporte la herramienta eléctrica asíéndola por la empuñadura 9 y sin tener accionado el disparador 6.

Siempre guarde la herramienta eléctrica con el acumulador desmontado en un lugar seco y caliente.

Si pretende no utilizar la herramienta eléctrica durante un largo tiempo aplique una ligera capa de aceite a todas las piezas de acero. De esta manera se evita la formación de óxido.

Mantenimiento y servicio

Mantenimiento y limpieza



Bloquee el sistema de activación y saque el acumulador antes de realizar un ajuste, cambiar de accesorio o al dejar de utilizar la herramienta eléctrica. Esta medida preventiva evita el riesgo de una conexión accidental de la herramienta eléctrica.

- Mantenga limpia la herramienta eléctrica y las rejillas de refrigeración para trabajar con eficacia y seguridad.

Trabajos de cuidado

Limpie el cargador 12. Retire las virutas de plástico o madera que pudieran haberse acumulado en el cargador durante el trabajo.

Limpie con regularidad la herramienta eléctrica con aire comprimido.

Transporte

Los acumuladores de iones de litio incorporados están sujetos a los requerimientos estipulados en la legislación sobre mercancías peligrosas. Los acumuladores pueden ser transportados por carretera por el usuario sin más imposiciones.

En el envío por terceros (p. ej., transporte aéreo o por agencia de transportes) deberán considerarse las exigencias especiales en cuanto a su embalaje e identificación. En este caso deberá recurrirse a los servicios de un experto en mercancías peligrosas al preparar la pieza para su envío. Únicamente envíe acumuladores si su carcasa no está dañada.

Si los contactos no van protegidos cúbralos con cinta adhesiva y embale el acumulador de manera que éste no se pueda mover dentro del embalaje.

Observe también las prescripciones adicionales que pudieran existir al respecto en su país.

Eliminación



Las herramientas eléctricas, acumuladores, accesorios y embalajes deberán someterse a un proceso de recuperación que respete el medio ambiente.

¡No arroje herramientas eléctricas, cargadores, acumuladores o pilas a la basura!

Sólo para los países de la UE:



Las herramientas eléctricas inservibles, así como los acumuladores/pilas defectuosos o agotados deberán acumularse por separado para ser sometidos a un reciclaje ecológico tal como lo marcan las Directivas Europeas 2012/19/UE y 2006/66/CE, respectivamente.

Português

Indicações de segurança

Indicações gerais de advertência para ferramentas eléctricas



ATENÇÃO

Devem ser lidas todas as indicações de advertência e todas as instruções. O desrespeito das advertências e instruções apresentadas abaixo pode causar choque eléctrico, incêndio e/ou graves lesões.

Guarde bem todas as advertências e instruções para futura referência.

O termo "Ferramenta eléctrica" utilizado a seguir nas indicações de advertência, refere-se a ferramentas eléctricas operadas com corrente de rede (com cabo de rede) e a ferramentas eléctricas operadas com acumulador (sem cabo de rede).

Segurança da área de trabalho

- Mantenha a sua área de trabalho sempre limpa e bem iluminada. Desordem ou áreas de trabalho insuficientemente iluminadas podem levar a acidentes.
- Não trabalhar com a ferramenta eléctrica em áreas com risco de explosão, nas quais se encontrem líquidos, gases ou pós inflamáveis. Ferramentas eléctricas produzem faíscas, que podem inflamar pós ou vapores.
- Manter crianças e outras pessoas afastadas da ferramenta eléctrica durante a utilização. No caso de distração é possível que perca o controlo sobre o aparelho.

Segurança eléctrica

- A ficha de conexão da ferramenta eléctrica deve caber na tomada. A ficha não deve ser modificada de maneira alguma. Não utilizar uma ficha de adaptação junto com ferramentas eléctricas protegidas por ligação à terra. Fichas não modificadas e tomadas apropriadas reduzem o risco de um choque eléctrico.
- Evitar que o corpo possa entrar em contacto com superfícies ligadas à terra, como tubos, aquecimentos, fogões e frigoríficos. Há um risco elevado devido a um choque eléctrico, se o corpo estiver ligado à terra.
- Manter o aparelho afastado de chuva ou humidade. A infiltração de água numa ferramenta eléctrica aumenta o risco de choque eléctrico.
- Não deverá utilizar o cabo para outras finalidades. Jamais utilizar o cabo para transportar a ferramenta eléctrica, para pendurá-la, nem para puxar a ficha da tomada. Manter o cabo afastado de calor, óleo, cantos afiados ou partes do aparelho em movimento. Cabos danificados ou emaranhados aumentam o risco de um choque eléctrico.
- Se trabalhar com uma ferramenta eléctrica ao ar livre, só deverá utilizar cabos de extensão apropriados para áreas exteriores. A utilização de um cabo de extensão apropriado para áreas exteriores reduz o risco de um choque eléctrico.
- Se não for possível evitar o funcionamento da ferramenta eléctrica em áreas húmidas, deverá ser utilizado um disjuntor de corrente de avaria. A utilização de um disjuntor de corrente de avaria reduz o risco de um choque eléctrico.

Segurança de pessoas

- Esteja atento, observe o que está a fazer e tenha prudência ao trabalhar com a ferramenta eléctrica. Não utilizar uma ferramenta eléctrica quando estiver fadigado ou sob a influência de drogas, álcool ou medicamentos. Um momento de descuido ao utilizar a ferramenta eléctrica, pode levar a lesões graves.
- Utilizar equipamento de protecção pessoal e sempre óculos de protecção. A utilização de equipamento de protecção pessoal, como máscara de protecção contra pó, sapatos de segurança antiderrapantes, capacete de segurança ou protecção auricular, de acordo com o tipo e aplicação da ferramenta eléctrica, reduz o risco de lesões.
- Evitar uma colocação em funcionamento involuntária. Assegure-se de que a ferramenta eléctrica esteja desligada, antes de conectá-la à alimentação de rede e/ou ao acumulador, antes de levantá-la ou de transportá-la. Se tiver o dedo no interruptor ao transportar a ferramenta eléctrica ou se o aparelho for conectado à alimentação de rede enquanto estiver ligado, poderão ocorrer acidentes.
- Remover ferramentas de ajuste ou chaves de boca antes de ligar a ferramenta eléctrica. Uma ferramenta ou chave que se encontre numa parte do aparelho em movimento pode levar a lesões.
- Evite uma posição anormal. Mantenha uma posição firme e mantenha sempre o equilíbrio. Desta forma é mais fácil controlar a ferramenta eléctrica em situações inesperadas.
- Usar roupa apropriada. Não usar roupa larga nem jóias. Mantenha os cabelos, roupas e luvas afastadas de partes em movimento. Roupas frouxas, cabelos longos ou jóias podem ser agarrados por peças em movimento.
- Se for possível montar dispositivos de aspiração ou de recolha, assegure-se de que estejam conectados e utilizados correctamente. A utilização de uma aspiração de pó pode reduzir o perigo devido ao pó.

Utilização e manuseio cuidadoso de ferramentas eléctricas

- Não sobrecarregue o aparelho. Utilize a ferramenta eléctrica apropriada para o seu trabalho. É melhor e mais seguro trabalhar com a ferramenta eléctrica apropriada na área de potência indicada.
- Não utilizar uma ferramenta eléctrica com um interruptor defeituoso. Uma ferramenta eléctrica que não pode mais ser ligada nem desligada, é perigosa e deve ser reparada.
- Puxar a ficha da tomada e/ou remover o acumulador antes de executar ajustes no aparelho, de substituir acessórios ou de guardar o aparelho. Esta medida de segurança evita o arranque involuntário da ferramenta eléctrica.
- Guardar ferramentas eléctricas não utilizadas fora do alcance de crianças. Não permita que pessoas que não estejam familiarizadas com o aparelho ou que não tenham lido estas instruções, utilizem o aparelho. Ferramentas eléctricas são perigosas se forem utilizadas por pessoas inespertas.
- Tratar a ferramenta eléctrica com cuidado. Controlar se as partes móveis do aparelho funcionam perfeitamente e não emperram, e se há peças quebradas ou danificadas que possam prejudicar o funcionamento da ferramenta eléctrica. Permitir que peças danificadas sejam reparadas antes da utilização. Muitos acidentes têm como causa,

a manutenção insuficiente de ferramentas eléctricas.

- Manter as ferramentas de corte afiadas e limpas. Ferramentas de corte cuidadosamente tratadas e com cantos de corte afiados emperram com menos frequência e podem ser conduzidas com maior facilidade.
- Utilizar a ferramenta eléctrica, acessórios, ferramentas de aplicação, etc. conforme estas instruções. Considerar as condições de trabalho e a tarefa a ser executada. A utilização de ferramentas eléctricas para outras tarefas a não ser as aplicações previstas, pode levar a situações perigosas.

Manuseio e utilização cuidadosos de ferramentas com acumuladores

- Só carregar acumuladores em carregadores recomendados pelo fabricante. Há perigo de incêndio se um carregador apropriado para um certo tipo de acumuladores for utilizado para carregar acumuladores de outros tipos.
- Só utilizar ferramentas eléctricas com os acumuladores apropriados. A utilização de outros acumuladores pode levar a lesões e perigo de incêndio.
- Manter o acumulador que não está sendo utilizado afastado de cliques, moedas, chaves, parafusos ou outros pequenos objectos metálicos que possam causar um curto-circuito dos contactos. Um curto-circuito entre os contactos do acumulador pode ter como consequência queimaduras ou fogo.
- No caso de aplicação incorrecta pode vaziar líquido do acumulador. Evitar o contacto. No caso de um contacto acidental, deverá enxaguar com água. Se o líquido entrar em contacto com os olhos, também deverá consultar um médico. Líquido que escapa do acumulador pode levar a irritações da pele ou a queimaduras.

Serviço

- Só permita que o seu aparelho seja reparado por pessoal especializado e qualificado e só com peças de reposição originais. Desta forma é assegurado o funcionamento seguro do aparelho.

Indicações de segurança para agrafadores sem fio

- Suponha sempre que a ferramenta eléctrica contém grampos. O manuseio despreocupado do agrafador pode levar a inesperadas expulsões de grampos e causar lesões.
- Não apontar a ferramenta eléctrica para si mesmo nem para outras pessoas que estiverem próximas. Um disparo inesperado atira um grampo que pode levar a lesões.
- Não accionar a ferramenta eléctrica antes de ter aplicado-a firmemente sobre a peça a ser trabalhada. Se a ferramenta eléctrica não tiver contacto com a peça a ser trabalhada, é possível que o grampo seja ricocheteado do local de fixação.
- Separar a ferramenta eléctrica da rede eléctrica ou do acumulador, se o grampo estiver emperrado na ferramenta eléctrica. Quando o agrafador está conectado à rede, é possível que seja accionado, sem querer, ao tentar remover um grampo emperrado.
- Tenha cuidado ao remover um grampo preso. O sistema pode estar traccionado e expulsar fortemente o grampo, enquanto estiver removendo o grampo emperrado.

- Este agrafador não deve ser usado para fixar fios eléctricos. Ele não é apropriado para a instalação de linhas eléctricas, pois pode danificar o isolamento de cabos eléctricos e causar assim um choque eléctrico e até mesmo incêndios.
- Utilizar detectores apropriados, para encontrar cabos escondidos, ou consultar a companhia eléctrica local. O contacto com cabos eléctricos pode provocar incêndio e choques eléctricos. Danos em tubos de gás podem levar à explosão. A infiltração num cano de água provoca danos materiais.
- Observar as condições do local de trabalho. Elementos fixadores podem atravessar peças finas ou podem deslizar durante o trabalho em cantos e arestas de peças a serem trabalhadas e por pessoas em perigo.
- Ao trabalhar, deverá segurar a ferramenta eléctrica de modo que nem a cabeça nem o corpo possam ser feridos no caso de um possível contra-golpe devido a uma falha da alimentação de energia eléctrica ou devido a locais duros da peça a ser trabalhada.
- Não abrir o acumulador. Há risco de um curto-circuito.



Proteger o acumulador contra calor, p. ex. também contra uma permanente radiação solar, fogo, água e humidade. Há risco de explosão.

- Em caso de danos e de utilização incorrecta do acumulador, podem escapar vapores. Arejar bem o local de trabalho e consultar um médico se forem constatados quaisquer sintomas. É possível que os vapores irrite as vias respiratórias.
- Só utilizar o acumulador junto com o seu produto Rapid. Só assim é que o seu acumulador estará protegido contra perigosa sobrecarga.
- Os objectos afiados como, p. ex., pregos ou chaves de fendas, assim como o efeito de forças externas podem danificar o acumulador. Podem causar um curto-circuito interno e o acumulador pode ficar queimado, deitar fumo, explodir ou sobreaquecer.

Descrição do produto e da potência



Devem ser lidas todas as indicações de advertência e todas as instruções.

O desrespeito das advertências e instruções apresentadas abaixo pode causar choque eléctrico, incêndio e/ou graves lesões.

Utilização conforme as disposições

A ferramenta eléctrica é determinada para efectuar conexões na impermeabilização de telhados, cofragem e ripagens, assim como na produção de elementos de paredes e de tectos, fachadas de madeira, paletes, cercas de madeira, paredes de protecção acústica e caixas.

Só devem ser utilizados os elementos fixadores (pregos, agrafos, etc.) especificados na tabela "Dados técnicos".

Componentes ilustrados

A numeração dos componentes ilustrados refere-se à apresentação da ferramenta eléctrica na página de esquemas

- 1 Protector da peça a ser trabalhada
- 2 Protecção contra disparo
- 3 Alavanca de aperto para abrir/fechar o canal de tiro
- 4 Roda de ajuste para o ajuste do limitador de profundidade
- 5 Interruptor para o bloqueio do sistema de disparo
- 6 Gatilho
- 7 Tecla de destravamento do acumulador
- 8 Acumulador
- 9 Punho (superfície isolada)
- 10 Depósito para guardar o protector da peça a ser trabalhada
- 11 Gancho do cinto
- 12 Carregador
- 13 Corrediça do cartucho
- 14 Transportador do prego
- 15 Bocal
- 16 Tiras de pregos*

* Acessórios apresentados ou descritos não pertencem ao volume de fornecimento padrão. Todos os acessórios encontram-se no nosso programa de acessórios.

Dados técnicos

Máquina sem fios de pregos sem cabeça	BN64	BN50
Agrafador		
Tipo	Pregos 16 Ga	Pregos 18 Ga
Comprimento	32-64mm	25-55mm
Diâmetro	1.6mm	1.26mm
Ângulo	20°	Recto
Capacidade da cassete. máx	110 pçs	110 pçs
Dimensões		
Altura	297mm	281mm
Largura	95mm	95mm
Comprimento	329mm	321mm
Peso*	3,16 kg	3,10 kg
Tipo de bateria	lões de lítio	lões de lítio
Tensão nominal	18 V DC	18 V DC
Capacidade	2,0 Ah*	2,0 Ah*
Velocidade máx. de cravejamento	60 disparos/min.	60 disparos/min.
Capacidade de operação/carga total (operação contínua)	aprox. 500 disparos	aprox. 500 disparos
Tempo para carregar	50 min	50 min
Temperaturas permitidas		
Temperatura de trabalho °C	-20 ... +60	-20 ... +60
Temperatura de carregamento °C	0 ... +40	0 ... +40
Temperatura de armazenamento °C	-20 ... +25	-20 ... +25

Dados técnicos determinados com a bateria no âmbito de entrega.

*Bateria de 3.0 Ah disponível como acessório (vendido separadamente).

Informação sobre ruídos/vibrações

Os valores de emissão de ruído determinados de acordo com EN 60745.

O nível de ruído avaliado como A do aparelho é tipicamente:

Nível de pressão acústica 92,9 dB(A); Nível de potência acústica 105,0 dB(A). Incerteza K=3 dB.



Usar protecção auricular!

Totais valores de vibrações ah e incerteza K averiguada conforme EN 60745: ah < 2,725 m/s²; K = 1,5 m/s².

O nível de vibrações indicado nestas instruções foi medido de acordo com um processo de medição normalizado pela norma EN 60745 e pode ser utilizado para a comparação de ferramentas eléctricas. Ele também é apropriado para uma avaliação provisória da carga de vibrações.

O nível de vibrações indicado representa as aplicações principais da ferramenta eléctrica. Se, contudo, a ferramenta eléctrica for utilizada para outras aplicações, com acessórios diferentes, com outras ferramentas de trabalho ou com manutenção insuficiente, é possível que o nível de vibrações seja diferente. Isto pode aumentar sensivelmente a carga de vibrações para o período completo de trabalho.

Para uma estimativa exacta da carga de vibrações, também deveriam ser considerados os períodos nos quais o aparelho está desligado ou funciona, mas não está sendo utilizado. Isto pode reduzir a carga de vibrações durante o completo período de trabalho.

Além disso também deverão ser estipuladas medidas de segurança para proteger o operador contra o efeito de vibrações, como por exemplo: manutenção de ferramentas eléctricas e de ferramentas de trabalho, manter as mãos quentes e organização dos processos de trabalho.

Montagem

Carregar o acumulador

- Utilize apenas os carregadores listados nos dados técnicos. Só estes carregadores são apropriados para os acumuladores de iões de lítio utilizados para a sua ferramenta eléctrica

Nota: O acumulador é fornecido parcialmente carregado. Para assegurar a completa potência do acumulador, o acumulador deverá ser carregado completamente no carregador antes da primeira utilização

The lithium-ion battery can be charged at any time without reducing its service life. Interrupting the charging procedure does not damage the battery.

O acumulador de iões de lítio pode ser carregado a qualquer altura, sem que a sua vida útil seja reduzida. Uma interrupção do processo de carga não danifica o acumulador.

A "Electronic Cell Protection (ECP)" protege o acumulador de iões de lítio contra descarga total. A ferramenta eléctrica é desligada através de um disjuntor de protecção, logo que o acumulador estiver descarregado. Não são mais expulsos elementos fixadores.



ATENÇÃO

Não continuar a premir o gatilho após o desligamento automático da ferramenta eléctrica. O acumulador pode ser danificado.

Observar a indicação sobre a eliminação de forma ecológica.

Retirar o acumulador (veja figura A)

O acumulador 8 possui dois níveis de travamento, que evitam, que o acumulador possa cair, devido a vibrações provocadas por uso extremo

- Premir a tecla de destravamento 7 (1.) e empurrar ao mesmo tempo o acumulador para frente.
- Premir novamente a tecla de destravamento 7 (2.) e puxar o acumulador, por trás, completamente para fora.

Carregar o carregador (veja figuras B1–B4)



Bloquear o sistema de disparo, e retirar o acumulador, antes de executar ajustes no aparelho, substituir acessórios ou guardar a ferramenta eléctrica. Esta medida de precaução evita o arranque involuntário da ferramenta eléctrica.

- Só utilizar acessórios originais Rapid (veja "Dados técnicos"). As peças de precisão da ferramenta eléctrica, como carregador, bocal e canal de tiro são adaptados para agrafos, pregos e cavilhas da Rapid. Outros fabricantes utilizam uma outra qualidade de aço e outras dimensões. A utilização de elementos fixadores inadmissíveis pode danificar a ferramenta eléctrica e causar lesões

Ao encher o carregador deverá segurar a ferramenta eléctrica de modo que o bocal 15 não aponte na direcção do seu corpo nem na direcção de outras pessoas.

- Limpar a correição do carregador 13 sempre que for necessário e assegurar-se de que o carregador 12 não esteja sujo.
- Introduzir uma tira de pregos 16 apropriada na fenda em forma de T, na extremidade do carregador 12.
- Premir o transportador de pregos pré-tensionado 14 na direcção da correição do carregador 13 e puxar, ao mesmo tempo, a correição do carregador completamente até o fim do carregador 12.

Nota: Deve ser possível deslocar a correição do carregador para trás, sem grande esforço (só com força de um dedo). Uma correição do carregador que corre firme demais faz com que os pregos sejam atirados num ângulo errado.

- Conduzir a correição do carregador 13 cuidadosamente para frente, com o transportador de pregos 14 premido, até o transportador de pregos estar por cima do último prego e deslocar assim a tira de pregos completamente para frente, para dentro do carregador.

Nota: Não permitir que a correição do carregador possa retornar de repente. Isto poderia danificar a correição do carregador e há perigo de que os seus dedos sejam entalados.

Funcionamento

Sistema de disparo

Disparo individual com sequência de segurança

Neste sistema de disparo é necessário que a protecção contra disparo 2 seja primeiramente premida firmemente sobre a peça a ser trabalhada. Um elemento fixador só é atirado quando o gatilho 6 é premido.

Em seguida só podem ser realizados outros processos de agrafar, se antes o gatilho e a protecção contra disparo for recolocado na sua posição inicial.

Colocação em serviço



Bloquear o sistema de disparo, e retirar o acumulador, antes de executar ajustes no aparelho, substituir acessórios ou guardar a ferramenta eléctrica. Esta medida de precaução evita o arranque involuntário da ferramenta eléctrica.

Colocar o acumulador

- Só utilizar acumuladores de íões de lítio Rapid com a tensão indicada no logotipo da sua ferramenta eléctrica. A utilização de outros acumuladores pode levar a lesões e perigo de incêndio.
- Introduzir o acumulador carregado 8 no punho até engatar perceptivelmente e estar alinhando ao punho

Ejetar pregos (veja figura C)

- Aplicar o bocal 15 ou a protecção de borracha para a peça a ser trabalhada 1 firmemente sobre a peça a ser trabalhada, até a protecção contra disparo 2 estar completamente premida para dentro.
- Premir em seguida por instantes o gatilho 6 e soltá-lo novamente. É atirado um prego.
- Permitir que a ferramenta eléctrica ressalte da peça a ser trabalhada.
- Para um outro processo de agrafar é necessário levantar a ferramenta eléctrica completamente da peça a ser trabalhada e colocá-la firmemente sobre a próxima posição desejada.

Bloquear o sistema de disparo

Bloquear o sistema de disparo, antes de realizar alterações no aparelho, substituir peças de acessórios, guardar a ferramenta eléctrica durante grandes pausas de trabalho ou no fim do trabalho.

Indicações de trabalho



Bloquear o sistema de disparo, e retirar o acumulador, antes de executar ajustes no aparelho, substituir acessórios ou guardar a ferramenta eléctrica. Esta medida de precaução evita o arranque involuntário da ferramenta eléctrica.

Antes do início de cada processo de trabalho deverá controlar o funcionamento perfeito dos dispositivos de segurança e de disparo, assim como a posição firme de todos os parafusos e porcas.

Uma ferramenta eléctrica defeituosa, ou que não trabalhe perfeitamente, deve ser separada imediatamente da alimentação de energia e entrar em contacto com uma oficina de serviço pós-venda autorizada Rapid.

Não realizar manipulações não autorizadas na ferramenta eléctrica. Não desmontar nem bloquear peças da ferramenta eléctrica, como p. ex. a protecção contra disparo.

Não realizar “reparações de emergência” com meios desapropriados. A manutenção da ferramenta eléctrica deve ser realizada em intervalos regulares e na posição horizontal (veja “Manutenção e limpeza”).

Evitar quaisquer enfraquecimentos e danos na ferramenta eléctrica, p. ex. devido a:

- golpes ou gravações,
- medidas construtivas não autorizadas pelo fabricante,
- Conduzir em direcção de matrizes produzidas de material duro, como p. ex. aço
- queda ou empurrar sobre o chão,
- utilização como martelo,
- qualquer tipo de violência.

Verifique o que se encontra sob ou atrás da sua peça a ser trabalhada. Não atirar pregos na direcção de paredes, tectos ou soalhos, se houverem pessoas por detrás. Os pregos podem atravessar a peça a ser trabalhada e ferir alguém.

Não atirar nenhum prego sobre um prego já encravado. Isto pode deformar o prego, os pregos podem emperrar ou a ferramenta eléctrica pode se movimentar descontroladamente

Se a ferramenta eléctrica for utilizada em condições ambientais frias, os primeiros pregos serão encravados mais lentamente do que de costume. Assim que a ferramenta eléctrica tiver se aquecido durante o trabalho, será possível trabalhar novamente com a velocidade normal.

Evitar disparos em vazio, para reduzir o desgaste do punção.

Durante longas pausas de trabalho, ou no final do trabalho, deverá bloquear o sistema de disparo da ferramenta eléctrica e, se possível, esvaziar o carregador.

Esvaziar o carregador (veja figuras D1–D2)

- Puxar a correção do carregador 13, com o transportador de pregos 14 premido, para trás, até o transportador de pregos liberar o último prego e conduzir em seguida a correção do carregador cuidadosamente para frente, até o começo do carregador 12.

Nota: Não permitir que a correção do carregador possa retornar de repente. Isto poderia danificar a correção do carregador e há perigo de que os seus dedos sejam entalados.

Ajustar o esbarro de profundidade (veja figura E)

A profundidade de impacto dos pregos pode ser ajustada com a roda de ajuste 4.

- Esvaziar o carregador 12. (veja “Esvaziar o carregador”)
- **Os pregos são cravados muito profundamente:**
Para reduzir a profundidade de impacto será necessário girar a roda de ajuste 4 no sentido anti-horário.
ou
- **Os pregos não são cravados suficientemente**

profundos:

Para aumentar a profundidade de impacto será necessário girar a roda de ajuste 4 no sentido horário.

- Encher novamente o carregador. (veja “Carregar o carregador”)
- Testar uma nova profundidade de impacto numa peça de ensaio.
Se necessário deverá repetir os passos de trabalho

Soltar emperramentos (veja figuras F1–F2)

Pregos individuais podem ser emperrados no canal de tiro. Se isto ocorrer com muita frequência, entre em contacto com uma oficina de serviço pós-venda autorizada Rapid.

Nota: Se após eliminar o emperramento, o punção não retornar para a sua posição inicial, entre em contacto com uma oficina pós-venda autorizada Rapid.

- Soltar novamente o gatilho 6.
- Bloquear o sistema de disparo (veja “Bloquear o sistema de disparo”) e retirar o acumulador 8.
- Esvaziar o carregador 12. (veja “Esvaziar o carregador”)
- Premir a alavanca de aperto 3 para baixo, de modo que o canal de tiro possa ser aberto.
- Remover o prego emperrado. Para isto poderá usar um alicate.
- Fechar o canal de tiro, pendurar o arco da alavanca de aperto 3 no gancho perto do canal de tiro e em seguida premir a alavanca de aperto novamente para cima.
- Encher novamente o carregador. (veja “Carregar o carregador”)

Substituir o protector da peça a ser trabalhada (veja figura G)

O protector da peça a ser trabalhada 1, na extremidade da protecção contra disparo 2, protege a peça a ser trabalhada até a ferramenta eléctrica estar correctamente posicionada para o processo de agramar.

O protector da peça a ser trabalhada pode ser removido e substituído.

- Puxar o protector da peça a ser trabalhada da protecção contra disparo.
- Deslizar o novo protector da peça a ser trabalhada, com a extremidade aberta, sobre a protecção contra disparo.

Nota: Na parte superior do carregador 12 há lugar para guardar mais um protector da peça a ser trabalhada. Para tal deverá introduzir o protector da peça a ser trabalhada no depósito 10.

Transporte e arrecadação

Para transportar a ferramenta eléctrica é necessário bloquear o sistema de disparo (veja “Bloquear o sistema de disparo”), especialmente se utilizar escadas ou se se movimentar com postura anormal.

No local de trabalho a ferramenta eléctrica só deve ser transportada pelo punho 9 e não com o gatilho accionado 6.

Sempre guardar a ferramenta eléctrica separada do acumulador e num local seco e mofo.

Se a ferramenta eléctrica não for usada durante muito tempo deverá aplicar uma fina camada de óleo nas peças de aço da ferramenta. Isto evita o desenvolvimento de ferrugem.

Manutenção e limpeza



Bloquear o sistema de disparo, e retirar o acumulador, antes de executar ajustes no aparelho, substituir acessórios ou guardar a ferramenta eléctrica. Esta medida de precaução evita o arranque involuntário da ferramenta eléctrica

- Manter a ferramenta eléctrica e as aberturas de ventilação sempre limpas, para trabalhar bem e de forma segura.

Plano de manutenção

Limpar o carregador 12. Remover as aparas de plástico ou de madeira, que podem se acumular no carregador durante o trabalho.

Limpar a ferramenta eléctrica em intervalos regulares utilizando ar comprimido.

Transporte

Os acumuladores de íões de lítio, contidos, estão sujeitos ao direito de materiais perigosos. Os acumuladores podem ser transportados na rua pelo utilizador, sem mais obrigações.

Na expedição por terceiros (por ex.: transporte aéreo ou expedição), devem ser observadas as especiais exigências quanto à embalagem e à designação. Neste caso é necessário consultar um especialista de materiais perigosos ao preparar a peça a ser trabalhada.

Só enviar acumuladores se a carcaça não estiver danificada. Colar contactos abertos e embalar o acumulador de modo que não possa se movimentar dentro da embalagem.

Por favor observe também eventuais directivas nacionais suplementares.

Eliminação



As ferramentas eléctricas, os acessórios e as embalagens devem ser enviados a uma reciclagem ecológica de matéria prima.

Não deitar ferramentas eléctricas, carregadores e acumuladores/pilhas no lixo doméstico!

Apenas países da União Europeia:



Conforme as Directivas Europeias 2012/19/UE relativa aos resíduos de ferramentas eléctricas europeias 2006/66/CE é necessário recolher separadamente os acumuladores/as pilhas defeituosos ou gastos e conduzi-los a uma reciclagem ecológica.

Svenska

Säkerhetsanvisningar

Allmänna säkerhetsanvisningar för elverktyg



VARNING

Läs noga igenom alla säkerhetsanvisningar och instruktioner. Fel som uppstår till följd av att säkerhetsanvisningarna och instruktionerna inte följts kan orsaka elstöt, brand och/eller allvariga personskador.

Förvara alla varningar och anvisningar för framtida bruk.

Nedan använt begrepp "Elverktyg" hänförs sig till nätdrivna elverktyg (med nätsladd) och till batteridrivna elverktyg (sladdlösa).

Arbetsplats säkerhet

- Håll arbetsplatsen ren och välbelyst. Oordning på arbetsplatsen och dåligt belyst arbetsområde kan leda till olyckor.
- Använd inte elverktyget i explosionsfarlig omgivning med brännbara vätskor, gaser eller damm. Elverktygen alstrar gnistor som kan antända dammet eller gaserna.
- Håll under arbetet med elverktyget barn och obehöriga personer på betryggande avstånd. Om du störs av obehöriga personer kan du förlora kontrollen över elverktyget.

Elektrisk säkerhet

- Elverktygets stickpropp måste passa till vägguttaget. Stickproppen får absolut inte förändras. Använd inte adapterkontakter tillsammans med skyddsjordade elverktyg. Oförändrade stickproppar och passande vägguttag reducerar risken för elstöt.
- Undvik kroppskontakt med jordade ytor som t. ex. rör, värmelement, spisar och kylskåp. Det finns en större risk för elstöt om din kropp är jordad.
- Skydda elverktyget mot regn och väta. Tränger vatten in i ett elverktyg ökar risken för elstöt.
- Missbruka inte nätsladden och använd den inte för att bära eller hänga upp elverktyget och inte heller för att dra stickproppen ur vägguttaget. Håll nätsladden på avstånd från värme, olja, skarpa kanter och rörliga maskindelar. Skadade eller tilltrasslade ledningar ökar risken för elstöt.
- När du arbetar med ett elverktyg utomhus använd endast förlängningssladdar som är avsedda för utomhusbruk. Om en lämplig förlängningssladd för utomhusbruk används minskar risken för elstöt.
- Använd ett felströmsskydd om det inte är möjligt att undvika elverktygets användning i fuktig miljö. Felströmsskyddet minskar risken för elstöt.

Personsäkerhet

- Var uppmärksam, kontrollera vad du gör och använd elverktyget med förnuft. Använd inte elverktyg när du är trött eller om du är påverkad av droger, alkohol eller mediciner. Under användning av elverktyg kan även en kort uppmärksamhet leda till allvarliga kroppsskador.

- Bär alltid personlig skyddsutrustning och lämpliga skyddsglasögon. Användning av personlig skyddsutrustning som t.ex. dammfiltermask, halkfria säkerhetsskor, skyddshjälm och hörselskydd reducerar alltefter elverktygets typ och användning risken för kroppsskada.
- Undvik oavsiktlig igångsättning. Kontrollera att elverktyget är frånkopplat innan du ansluter stickproppen till vägguttaget och/eller ansluter/tar bort batteriet, tar upp eller bär elverktyget. Om du bär elverktyget med fingret på strömställaren eller ansluter påkopplat elverktyg till nätströmmen kan olycka uppstå.
- Ta bort alla inställningsverktyg och skruvnycklar innan du kopplar på elverktyget. Ett verktyg eller en nyckel i en roterande komponent kan medföra kroppsskada.
- Undvik onormala kroppsställningar. Se till att du står stadigt och håller balansen. I detta fall kan du lättare kontrollera elverktyget i oväntade situationer.
- Bär lämpliga arbetskläder. Bär inte löst hängande kläder eller smycken. Håll håret, kläderna och handskarna på avstånd från rörliga delar. Löst hängande kläder, långt hår och smycken kan dras in i roterande delar.
- När elverktyg används med dammsugnings- och -uppsamlingsutrustning, se till att dessa är rätt monterade och används på korrekt sätt. Användning av dammsugning minskar de risker damm orsakar.

Korrekt användning och hantering av elverktyg

- Överbelasta inte elverktyget. Använd för aktuellt arbete avsett elverktyg. Med ett lämpligt elverktyg kan du arbeta bättre och säkrare inom angivet effektområde.
- Ett elverktyg med defekt strömställare får inte längre användas. Ett elverktyg som inte kan kopplas in eller ur är farligt och måste repareras.
- Dra stickproppen ur vägguttaget och/eller ta bort batteriet innan inställningar utförs, tillbehörsdelar byts ut eller elverktyget lagras. Denna skyddsåtgärd förhindrar oavsiktlig inkoppling av elverktyget.
- Förvara elverktygen oåtkomliga för barn. Låt elverktyget inte användas av personer som inte är förtrogna med dess användning eller inte läst denna anvisning. Elverktygen är farliga om de används av oerfarna personer.
- Sköt elverktyget omsorgsfullt. Kontrollera att rörliga komponenter fungerar felfritt och inte kärvar, att komponenter inte brustit eller skadats; orsaker som kan leda till att elverktygets funktioner påverkas menligt. Låt skadade delar repareras innan elverktyget tas i bruk. Många olyckor orsakas av dåligt skötta elverktyg.
- Håll skärverktygen skarpa och rena. Omsorgsfullt skötta skärverktyg med skarpa egg kommer inte så lätt i kläm och går lättare att styra.
- Använd elverktyget, tillbehör, insatsverktyg osv. enligt dessa anvisningar. Ta hänsyn till arbetsvillkoren och arbetsmomenten. Om elverktyget används på ett sätt som det inte är avsett för kan farliga situationer uppstå.

Omsorgsfull hantering och användning av sladdlösa elverktyg

- Ladda batterierna endast i de laddare som tillverkaren rekommenderat. Om en laddare som är avsedd för en viss typ av batterier används för andra batterityper finns risk för brand.

- Använd endast batterier som är avsedda för aktuellt elverktyg. Används andra batterier finns risk för kroppsskada och brand.
- Håll gem, mynt, nycklar, spikar, skruvar och andra små metallföremål på avstånd från reservbatterier för att undvika en bygling av kontakterna. En kortslutning av batteriets kontakter kan leda till brännskador eller brand.
- Om batteriet används på fel sätt finns risk för att vätska rinner ur batteriet. Undvik kontakt med vätskan. Vid oavsiktlig kontakt spola med vatten. Om vätska kommer i kontakt med ögonen uppsök dessutom läkare. Batterivätskan kan medföra hudirritation och brännskada.
- Använd batteriet endast för produkter från Rapid. På så sätt skyddas batteriet mot farlig överbelastning.
- Batteriet kan skadas av vassa föremål som t.ex. spikar eller skruvmejslar eller på grund av yttre påverkan. En intern kortslutning kan uppstå och rök, explosion eller överhettning kan förekomma hos batteriet.

Produkt- och kapacitetsbeskrivning



Läs noga igenom alla säkerhetsanvisningar och instruktioner.

Fel som uppstår till följd av att säkerhetsanvisningarna och instruktionerna inte följts kan orsaka elstöt, brand och/eller allvariga personskador.

Service

- Låt endast kvalificerad fackpersonal reparera elverktyget och endast med originalreservdelar. Detta garanterar att elverktygets säkerhet upprätthålls.

Säkerhetsanvisningar för sladdlösa häftpistoler

- Utgå alltid från att elverktyget innehåller klammer. Oaktsam användning av häftpistolerna kan leda till oväntad utskjutning av klammer och personskador.
- Rikta inte elverktyget mot dig själv eller andra personer i närheten. En oväntad avtryckning stöter ut en klammer som kan orsaka personskada.
- Tryck inte av elverktyget innan det är i stabil kontakt med arbetsstycket. Om elverktyget inte är i kontakt med arbetsstycket kan klammern studsas mot fästpunkten.
- Koppla bort elverktyget från nätet eller batteriet när klammer läggs in i elverktyget. Om häftpistolerna är anslutna kan den aktiveras oavsiktligt vid borttagning av en inklämd klammer.
- Var försiktig vid borttagning av en hårt sittande klammer. Klammern kan stötas ut kraftigt vid försök att åtgärda en klammer som sitter inspänd i systemet.
- Häftpistolerna får inte användas för häftning av elledningar. Verktyget är inte avsett för installation av elledningar. Elledningens isolering kan skadas och orsaka elstöt och brandrisk.
- Använd lämpliga detektorer för lokalisering av dolda försörjningsledningar eller konsultera lokalt distributionsföretag. Kontakt med elledningar kan försäkra brand och elstöt. En skadad gasledning kan leda till explosion. Borring i vattenledning kan försäkra sakskadorna.
- Beakta förhållandena på arbetsplatsen. Risk finns för att fästelementen slår igenom tunna arbetsstycken eller glider av från arbetsstyckets hörn och kanter och sedan skadar personer. Avfyr inte pistolerna mot eller igenom betong, sten, tjock metall eller annat material som är för hårt för fästelementet att penetrera.
- Håll elverktyget under arbetet så att huvudet och kroppen inte kan skadas om eventuellt pistolerna rekylar vid störd energiförsörjning eller hårda partier i arbetsstycket.
- Öppna inte batteriet. Detta kan leda till kortslutning.



Skydda batteriet mot hög värme som t. ex. längre solbestrålning, eld, vatten och fukt. Explosionsrisk föreligger.

- I skadat eller felanvänt batteri kan ångor uppstå. Tillför friskluft och uppsök läkare vid åkommer. Ångorna kan leda till irritation i andningsvägarna.

Ändamålsenlig användning

Elverktyget är avsett för förbindningsarbeten vid t. ex. Taktäckning och läkning samt för uppsättning av lister, foder, vägg-/innertakelement, träfasader, trästaket, ljudisoleringsväggar och trälådor.

Det är endast tillåtet att använda fästelement (spik, klammer etc.) som anges i tabellen "Tekniska data".

Illustrerade komponenter

Numreringen av komponenterna hänvisar till illustration av elverktyget på grafiksida.

- 1 Gummerat nosskydd för att skydda arbetsstycket
- 2 Avfyringssäkkring
- 3 Spännspek för öppning/stängning av skottkanalen
- 4 Ställhjul för inställning av djupanslag
- 5 Omkopplare för spärring av avfyringssystemet
- 6 Avtryckare
- 7 Batteriets upplåsningsknapp
- 8 Batteri
- 9 Handgrepp (isolerad greppyta)
- 10 Depå för förvaring av nosskyddet
- 11 Bälteshake
- 12 Magasin
- 13 Magasinsmatare
- 14 Spikmedbringare
- 15 Mynning
- 16 Spikband*

* I bruksanvisningen avbildat och beskrivet tillbehör ingår inte i standardleveransen. I vårt tillbehörsprogram beskrivs allt tillbehör som finns.

Tekniska data

Batteridrivna Dyckertpistol	BN64	BN50
Fästelement		
Typ	16 Ga Dyckert	18 Ga Dyckert
Längd	32-64mm	25-55mm
Diameter	1.6mm	1.26mm
Vinkel	20°	Rak
Magasinskapacitet, max	110 st	110 st
Mått och vikt		
Höjd	297mm	281mm
Bredd	95mm	95mm
Längd	329mm	321mm
Vikt*	3,16 kg	3,10 kg
Batterityp	Litiumjon	Litiumjon
Märkspänning	18 V DC	18 V DC
Kapacitet	2,0 Ah*	2,0 Ah*
Max. spikningshastighet	60 skott/minut	60 skott/minut
Spikningskapacitet/full laddning (vid kontinuerlig ca 500 skott användning)	ca 500 skott	ca 500 skott
Uppladdningstid	50 minuter	50 minuter
Tillåtna temperaturer		
Arbets temperatur °C	-20 ... +60	-20 ... +60
Laddningstemperatur °C	0 ... +40	0 ... +40
Förvaringstemperatur °C	-20 ... +25	-20 ... +25

Tekniska data avser produkt med inkluderade batterier.

* Batteri tillgängligt i 3,0 Ah säljs som särskilt tillbehör.

Buller-/vibrationsdata

Bullernivåvärde förmedlas enligt EN 60745.

Maskinens A-vägd ljudnivå uppnår i typiska fall: Ljudtrycksnivå 92,9 dB(A); ljudeffektnivå 105,0 dB(A). Onoggrannhet $K=3$ dB.



Använd hörselskydd!

Totala vibrationsemissionsvärden a_h och onoggrannhet K framtaget enligt EN 60745: $a_h < 2,725 \text{ m/s}^2$, $K = 1,5 \text{ m/s}^2$.

Mätningen av den vibrationsnivå som anges i denna anvisning har utförts enligt en mätmetod som är standardiserad i EN 60745 och kan användas vid jämförelse av olika elverktyg. Mätmetoden är även lämplig för preliminär bedömning av vibrationsbelastningen.

Den angivna vibrationsnivån representerar den huvudsakliga användningen av elverktyget. Om däremot elverktyget används för andra ändamål, med olika tillbehör, med andra insatsverktyg eller inte underhållits ordentligt kan vibrationsnivån avvika. Härvid kan vibrationsbelastningen under arbetsperioden öka betydligt.

För en exakt bedömning av vibrationsbelastningen bör även de tider beaktas när elverktyget är frånkopplat eller är igång, men inte används. Detta reducerar tydligt vibrationsbelastningen för den totala arbetsperioden.

Bestäm extra säkerhetsåtgärder för att skydda operatören mot vibrationernas inverkan t. ex.: underhåll av elverktyget och insatsverktygen, att hålla händerna varma, organisation av arbetsförlöppen.

Montage

Batteriets laddning

- Använd endast de laddare, som anges i de tekniska data. Endast denna typ av laddare är anpassad till det litiumjonbatteri som används i elverktyget.

Anvisning: Batteriet levereras ofullständigt uppladdat. För full effekt ska batteriet före första användningen laddas upp i laddaren.

Litiumjonbatteriet kan när som helst laddas upp eftersom detta inte påverkar livslängden. Batteriet skadas inte om laddning avbryts.

Litiumjonbatteriet skyddas genom "Electronic Cell Protection (ECP)" mot djupurladdning. Vid urladdat batteri kopplar skyddskopplingen från elverktyget: Fästelement skjuts inte längre ut.



Tryck inte på avtryckaren efter det elverktyget automatiskt kopplats från. Risk finns för att batteriet skadas.

Beakta anvisningarna för avfallshantering.

Borttagning av batteri (se bild A)

Batteriet 8 är försett med två låssteg som vid kraftig vibration hindrar batteriet från att falla bort.

- Tryck på upplåsningsknappen 7 (1) och skjut batteriet samtidigt framåt.
- Tryck en gång till på upplåsningsknappen 7 (2) och dra batteriet ut bakåt.

Påfyllning av magasin (se bilderna B1–B4)



Spärra avfyringssystemet och ta bort batteriet innan inställningar utförs, tillbehörsdelar byts ut eller elverktyget lagras. Denna säkerhetsåtgärd förhindrar oavsiktlig inkoppling av elverktyget.

- Använd endast original Rapid tillbehör (se "Tekniska data"). Elverktygets precisionsdelar såsom magasin, mynning, avlossningskanal är anpassade till klammer, spik och stift som levereras av Rapid. Andra tillverkare använder olika stälkvaliteter och dimensioner.

Vid användning av icke godkända fästelement kan elverktyget skadas och leda till personskada.

Håll elverktyget vid påfyllning av magasinet så att mynningen 15 inte är riktad mot din egen kropp eller mot andra personer.

- Rengör vid behov magasinmåtaren 13 och kontrollera att magasinet 12 inte är nedsmutsat.
- Skjut in ett lämpligt spikband 16 i T-spåret bak på magasinet 12.
- Tryck den förspända spikmedbringaren 14 mot magasinmåtaren 13 och dra samtidigt ut magasinmåtaren fram till ändan på magasinet 12.

Anvisning: Magasinmåtaren måste utan större kraft (endast med fingrarna) kunna skjutas tillbaka. Om magasinmåtaren kärvar, kommer spikarna att skjutas in i fel vinkel.

- Skjut försiktigt magasinmataren 13 med nedtryckt spikmedbringare 14 framåt tills spikmedbringaren skjutits ut utöver sista spiken och skjut nu in spikbandet i magasinet så långt framåt det går.

Anvisning: Låt inte magasinmataren snäppa tillbaka ostryrd. Risk finns att magasinmataren skadas och att fingrarna kan komma i kläm.

Drift

Avfyrningssystem

Enkelavfyrning med full säkringsföljd

Vid detta avfyrningssystem måste först avfyringssäkringen 2 stadigt läggas an mot arbetsstycket. Ett fästelement skjuts ut först sedan avtryckaren 6 trycks ned.

Därefter kan ytterligare spikning endast utföras när avtryckaren och avfyringssäkringen återställts till utgångsläget.

Driftstart



Spärra avfyrningssystemet och ta bort batteriet innan inställningar utförs, tillbehörsdelar byts ut eller elverktyget lagras. Denna säkerhetsåtgärd förhindrar oavsiktlig inkoppling av elverktyget.

Insättning av batteri

- Använd endast original Rapid litiumjonbatterier med den spänning som anges på elverktygets typskylt. Används andra batterier finns risk för kroppsskada och brand.
- Skjut in den uppladdade batterimodulen 8 i handtaget tills den tydligt snäpper fast och ligger i plan med handtaget.

Utskjutning av spikar (se bild C)

- Placera mynningen 15 eller eventuellt det gummerade arbetsstycksskyddet 1 stadigt mot arbetsstycket tills avfyringssäkringen 2 är fullständig nedtryckt.
- Tryck därefter kort på avtryckaren 6 och släpp den igen. En spik skjuts nu ut.
- Låt elverktyget studsa tillbaka från arbetsstycket.
- För fortsatt avlossning lyft upp elverktyget från arbetsstycket och lägg stadigt an mot nästa spikningsställe.

Spärra avfyrningssystemet

Spärra avfyrningssystemet 5 innan inställningar utförs, tillbehörsdelar byts ut, elverktyget läggs bort för längre arbetspauser eller efter avslutat arbete.

Arbetsanvisningar



Spärra avfyrningssystemet och ta bort batteriet innan inställningar utförs, tillbehörsdelar byts ut eller elverktyget lagras. Denna säkerhetsåtgärd förhindrar oavsiktlig inkoppling av elverktyget.

Kontrollera före varje arbetspass att säkerhets- och avfyringsanordningarna fungerar korrekt samt att alla skruvar och muttrar sitter stadigt fast.

Slå genast från energin till ett defekt eller inte felritt fungerande elverktyg och kontakta ett auktoriserat Rapid serviceställe.

Vidta inte otillåtna åtgärder på elverktyget. Demontera eller blockera inte elverktygets komponenter som t. ex. avfyringssäkringen.

Utför inte en "nödreparation" med olämpliga medel. Elverktyget skall regelbundet och sakkunnigt underhållas (se "Underhåll och rengöring").

Undvik att försvaga och skada elverktyget t. ex. genom att:

- prägla eller gravera,
- utföra av tillverkaren icke godkänd ombyggnad,
- styra längs schabloner som är tillverkade av hårt material som t. ex. stål,
- falla ned på eller skjuta ut över golvet,
- använda verktyget som hammare,
- bruka våld.

Försäkra dig om vad som finns bakom arbetsstycket. Skjut inte in spikar i väggar, innertak eller golv om personer finns bakom. Spikarna kan slå igenom arbetsstycket och skada någon.

Skjut inte in en spik på en redan indriven spik. Härvid kan spiken deformeras, komma i kläm eller elverktyget kan okontrollerat röra på sig.

När elverktyget används i kall omgivning kommer de första spikarna att skjutas in långsammare än vanligt. Efter det verktyget under arbetet värmts upp, fortsätter indrivningen åter i normal hastighet.

Undvik tomskott för att reducera slagstiftets slitage.

Spärra vid längre arbetspauser eller efter avslutat arbete avfyrningssystemet och töm helst magasinet.

Tömning av magasin (se bilder D1–D2)

- Dra magasinmataren 13 med nedtryckt spikmedbringare 14 bakåt tills spikmedbringaren friger sista spiken och skjut försiktigt magasinmataren framåt mot toppen på magasinet 12.

Anvisning: Låt inte magasinmataren snäppa tillbaka ostryrd. Risk finns att magasinmataren skadas och att fingrarna kan komma i kläm.

Inställning av djupanslag (se bild E)

Spikarnas indrivningsdjup kan ställas in med djupanslaget 4.

- Töm magasin 12. (se "Tömning av magasin")
- **Spikar drivs in för djupt:**
För att reducera indrivningsdjupet vrid ställhjulet 4 moturs eller
- **Spikar drivs inte in djupt nog:**
För att öka indrivningsdjupet vrid ställhjulet 4 medurs.
- Fyll åter på magasinet. (se "Påfyllning av magasin")
- Pröva det inställda indrivningsdjupet på ett provstycke. Upprepa vid behov arbetsstegen.

Lossning av fastklämd spik (se bilderna F1–F2)

Enskilda spikar kan komma i kläm i avlossningskanalen. Sker detta ofta, kontakta ett auktoriserat Rapid serviceställe.

Anvisning: Om slagstiftet, efter åtgärdad inklämning, inte längre återgår, kontakta ett auktoriserat Rapid serviceställe.

- Släpp avtryckaren 6.
- Spärra avfyrningssystemet (se "Spärra avfyrningssystemet") och ta bort batteriet 8.
- Töm magasinet 12. (se "Tömning av magasin")
- Tryck spännspaken 3 nedåt så att avlossningskanalen kan öppnas.
- Ta bort den inklämda spiken. Använd om så behövs en tång.
- Stäng avlossningskanalen, häng upp spännspakens bygel på hakarna vid avlossningskanalen och tryck sedan åter spännspaken 3 uppåt.
- Fyll åter på magasinet. (se "Påfyllning av magasin")

Byte av gummerat noskydd (se bild G)

Gummerade noskyddet 1 på ändan av avfyringssäkringen 2 skyddar arbetsstycket tills elverktyget placerats korrekt för avlossning.

Det gummerade noskyddet kan tas bort och bytas ut.

- Dra bort det gummerade noskyddet från avfyringssäkringen.
- Skjut in det nya gummerade noskyddet med den öppna ändan över avfyringssäkringen.

Anvisning: Ett reservskydd kan förvaras över, eller på sidan av magasinet 12. Skjut in ett gummerat noskydd i depån 10.

Transport och lagring

Spärra avfyrningssystemet för transport av elverktyget (se Spärra avfyrningssystemet"), speciellt om du står på en steg eller rör på dig i ovanlig kroppshållning.

På arbetsplatsen får elverktyget endast bäras i handtaget 9 och inte med nedtryckt avtryckare 6.

Lagra elverktyget utan batteri och på ett torrt, varmt ställe.

Om elverktyget under en längre tid inte används, applicera en tunn oljefilm på verktygsdelarna i stål. Detta förhindrar att rost bildas.

Underhåll och service

Underhåll och rengöring



Spärra avfyrningssystemet och ta bort batteriet innan inställningar utförs, tillbehörsdelar byts ut eller elverktyget lagras. Denna säkerhetsåtgärd förhindrar oavsiktlig inkoppling av elverktyget.

- Håll elverktyget och dess ventilationsöppningar rena för bra och säkert arbete.

Underhållsschema

Rengör magasinet 12. Ta bort plast- och träspån som eventuellt samlats i magasinet under arbetet.

Renblås elverktyget med tryckluft i regelbundna intervaller.

Transport

De litiumjonbatterier som ingår är underkastade kraven för farligt gods. Användaren kan utan ytterligare förpliktelser transportera batterierna på allmän väg.

Vid transport genom tredje person (t. ex. flygfrakt eller expedition) ska speciella villkor för förpackning och märkning beaktas. I detta fall bör vid förberedelse av transport en expert för farligt gods konsulteras.

Batterier får försändas endast om hölet är oskadat. Tejpa öppna kontakter och förpacka batteriet så att det inte kan röras i förpackningen.

Beakta även tillämpliga nationella föreskrifter.

Avfallshantering



Elverktyg, batterier, tillbehör och förpackning ska omhändertas på miljövänligt sätt för återvinning.

Släng inte elverktyg och inte heller laddare eller batterier i hushållsavfall!

Endast för EU-länder:



Enligt europeiska direktivet 2012/19/EU måste obrukbara elverktyg och enligt europeiska direktivet 2006/66/EG felaktiga eller förbrukade batterier separat omhändertas och på miljövänligt sätt lämnas in för återvinning.

Generelle sikkerhedsinstrukser til el-værktøj



ADVARSEL

Læs alle sikkerhedsinstrukser og anvisninger. I tilfælde af manglende overholdelse af sikkerhedsinstrukserne og anvisningerne er der risiko for elektrisk stød, brand og/eller alvorlige kvæstelser.

Opbevar alle sikkerhedsinstrukser og anvisninger til senere brug.

Det i sikkerhedsinstrukserne benyttede begreb "el-værktøj" refererer til netdrevet el-værktøj (med netkabel) og akkudrevet el-værktøj (uden netkabel).

Sikkerhed på arbejdspladsen

- Sørg for, at arbejdsområdet er rent og rigtigt belyst. Uorden eller uoplyste arbejdsområder øger faren for uheld.
- Brug ikke el-værktøjet i eksplosionsfarlige omgivelser, hvor der findes brændbare væsker, gasser eller støv. El-værktøj kan slå gnister, der kan antænde støv eller dampe.
- Sørg for, at andre personer og ikke mindst børn holdes væk fra arbejdsområdet, når maskinen er i brug. Hvis man distraheres, kan man miste kontrollen over maskinen.

Elektrisk sikkerhed

- El-værktøjets stik skal passe til kontakten. Stikket må under ingen omstændigheder ændres. Brug ikke adapterstik sammen med jordforbundet el-værktøj. Uændrede stik, der passer til kontakterne, nedsætter risikoen for elektrisk stød.
- Undgå kropskontakt med jordforbundne overflader som f.eks. rør, radiatorer, komfurer og køleskabe. Hvis din krop er jordforbundet, øges risikoen for elektrisk stød.
- Maskinen må ikke udsættes for regn eller fugt. Indtrængning af vand i et el-værktøj øger risikoen for elektrisk stød.
- Brug ikke ledningen til formål, den ikke er beregnet til (f.eks. må man aldrig bære el-værktøjet i ledningen, hænge el-værktøjet op i ledningen eller rykke i ledningen for at trække stikket ud af kontakten). Beskyt ledningen mod varme, olie, skarpe kanter eller maskindele, der er i bevægelse. Beskadigede eller udviklede ledninger øger risikoen for elektrisk stød.
- Hvis el-værktøjet benyttes i det fri, må der kun benyttes en forlængerledning, der er egnet til udendørs brug. Brug af forlængerledning til udendørs brug nedsætter risikoen for elektrisk stød.
- Hvis det ikke kan undgås at bruge el-værktøjet i fugtige omgivelser, skal der bruges et HFI-relæ. Brug af et HFI-relæ reducerer risikoen for at få elektrisk stød.

Personlig sikkerhed

- Det er vigtigt at være opmærksom, se, hvad man laver, og bruge el-værktøjet fornuftigt. Brug ikke noget el-værktøj, hvis du er træt, har nydt alkohol eller er påvirket af medikamenter eller euforiserende stoffer. Få sekundær uopmærksomhed ved brug af el-værktøjet kan føre til alvorlige personskader.

- Brug beskyttelsesudstyr og hav altid beskyttelsesbriller på. Brug af sikkerhedsudstyr som f.eks. støvmaske, skridsikkert fodtøj, beskyttelseshjelm eller høreværn afhængig af maskintype og anvendelse nedsætter risikoen for personskader.

- Undgå utilsigtet igangsætning. Kontrollér, at el-værktøjet er slukket, før du tilslutter det til strømtilførslen og/eller akkuen, løfter eller bærer det.

Undgå at bære el-værktøjet med fingeren på afbryderen og sørg for, at el-værktøjet ikke er tændt, når det sluttes til nettet, da dette øger risikoen for personskader.

- Gør det til en vane altid at fjerne indstillingsværktøj eller skrueøgle, før el-værktøjet tændes. Hvis et stykke værktøj eller en nøgle sidder i en roterende maskindele, er der risiko for personskader.
- Undgå en anormal legemssposition. Sørg for at stå sikkert, mens der arbejdes, og kom ikke ud af balance. Dermed har du bedre muligheder for at kontrollere el-værktøjet, hvis der skulle opstå uventede situationer.
- Brug egnet arbejdstøj. Undgå løse beklædningsgenstande eller smykker. Hold hår, tøj og handsker væk fra dele, der bevæger sig. Dele, der er i bevægelse, kan gribe fat i løstsiddende tøj, smykker eller langt hår.
- Hvis støvsugnings- og opsamlingsudstyr kan monteres, er det vigtigt, at dette tilsluttes og benyttes korrekt. Brug af en støvsugning kan reducere støvmængden og dermed den fare, der er forbundet støv.

Omhyggelig omgang med og brug af el-værktøj

- Undgå overbelastning af maskinen. Brug altid et el-værktøj, der er beregnet til det stykke arbejde, der skal udføres. Med det passende el-værktøj arbejder man bedst og mest sikkert inden for det angivne effektområde.
- Brug ikke et el-værktøj, hvis afbryder er defekt. Et el-værktøj, der ikke kan startes og stoppes, er farlig og skal repareres.
- Træk stikket ud af stikkontakten og/eller fjern akkuen, inden maskinen indstilles, der skiftes tilbehørsdele, eller maskinen lægges fra. Disse sikkerhedsforanstaltninger forhindrer utilsigtet start af el-værktøjet.
- Opbevar ubenyttet el-værktøj uden for børns rækkevidde. Lad aldrig personer, der ikke er fortrolige med maskinen eller ikke har gennemlæst disse instrukser, benytte maskinen. El-værktøj er farligt, hvis det benyttes af ukundige personer.
- El-værktøjet bør vedligeholdes omhyggeligt. Kontrollér, om bevægelige maskindele fungerer korrekt og ikke sidder fast, og om delene er brækket eller beskadiget, således at el-værktøjets funktion påvirkes. Få beskadigede dele repareret, inden maskinen tages i brug. Mange uheld skyldes dårligt vedligeholdte el-værktøjer.
- Sørg for, at skæreværktøjer er skarpe og rene. Omhyggeligt vedligeholdte skæreværktøjer med skarpe skærekanter sætter sig ikke så hurtigt fast og er nemmere at føre.
- Brug el-værktøj, tilhører, indsatsværktøj osv. iht. disse instrukser. Tag hensyn til arbejdsforholdene og det arbejde, der skal udføres. Anvendelse af el-værktøjet til formål, som ligger uden for det fastsatte anvendelsesområde, kan føre til farlige situationer.

Omhyggelig omgang med og brug af akku-værktøj

- Oplad kun akku'er i ladeaggregater, der er anbefalet af fabrikanten. Et ladeaggregat, der er egnet til en bestemt

type batterier, må ikke benyttes med andre batterier – brandfare.

- Brug kun de akku'er, der er beregnet til el-værktøjet. Brug af andre akku'er øger risikoen for personskader og er forbundet med brandfare.
- Ikke benyttede akku'er må ikke komme i berøring med kontrolclips, mønter, nøgler, søm, skruer eller andre små metalgenstande, da disse kan kortslutte kontakterne. En kortslutning mellem batteri-kontakterne øger risikoen for personskader i form af forbrændinger.
- Hvis akku'en anvendes forkert, kan der slippe væske ud af akku'en. Undgå at komme i kontakt med denne væske. Hvis det alligevel skulle ske, skylles med vand. Søg læge, hvis væsken kommer i øjnene. Akkuvæske kan give hudirritation eller forbrændinger.

Service

- Sørg for, at el-værktøj kun repareres af kvalificerede fagfolk og at der kun benyttes originale reservedele. Dermed sikres størst mulig maskinsikkerhed.

Sikkerhedsinstrukser til akkudrevet inddrivningsværktøj

- Gå altid ud fra, at el-værktøjet har klemmer. En sorgløs håndtering af inddrivningsværktøjet kan føre til en uventet udskydning af klemmer, hvilket kan føre til kvæstelser.
- Ret ikke el-værktøjet mod dig selv eller andre personer, der befinder sig i nærheden. En uventet udløsning fører til udskydning af en klemme, hvilket kan føre til kvæstelser.
- Betjen ikke el-værktøjet, før det er anbragt fast på emnet. Har el-værktøjet ikke nogen kontakt med emnet, kan klemmen prelle af fastgørelsesstedet.
- Afbryd el-værktøjet fra nettet eller akkuen, hvis klemmen sidder i klemme i el-værktøjet. Er inddrivningsværktøjet tilsluttet, kan man fejlagtigt komme til at betjene det i forbindelse med fjernelse af en fastklemt klemme.
- Vær forsigtig, når en fastsiddende klemme skal fjernes. Systemet kan være spændt og klemmen stødes kraftigt ud, mens du forsøger at afhjælpe fastklemningen.
- Brug ikke dette inddrivningsværktøj til at fastgøre elektriske ledninger. Det er ikke egnet til at installere elektriske ledninger, det kan beskadige isoleringen af elektriske kabler og således føre til elektrisk stød og brandfare.
- Anvend egnede søgeinstrumenter til at finde frem til skjulte forsyningsledninger eller kontakt det lokale forsyningselskab. Kontakt med elektriske ledninger kan føre til brand og elektrisk stød. Beskadigelse af en gasledning kan føre til eksplosion. Beskadigelse af en vandledning kan føre til materiel skade.
- Tilpas dig forholdene på arbejdspladsen. Inddrivningsgenstande kan evt. slå igennem tynde emner eller glide af emner, hvis der arbejdes på hjørner og kanter og således udsætte personer for fare.
- Hold el-værktøjet under arbejdet på en sådan måde, at hoved og krop ikke kan blive kvæstet, hvis værktøjet skulle give et tilbageryk som følge af en fejl i energiforsyningen eller på grund af hårde steder i emnet.
- Åben ikke akkuen. Fare for kortslutning.



Beskyt akkuen mod varme (f.eks. også mod varige solstråler, brand, vand og fugtighed). Fare for eksplosion.

- Beskudiges akkuen eller bruges den forkert, kan der sive dampe ud. Tilfør frisk luft og søg læge, hvis du føler dig utilpas. Dampene kan irritere luftvejene.
- Anvend kun akkuen i forbindelse med dit Rapid produkt. Kun på denne måde beskyttes akkuen mod farlig overbelastning.
- Akkuen kan blive beskudiget af spidse genstande som f.eks. søm eller skruetrækkere eller ydre kraftpåvirkning. Der kan opstå indvendig kortslutning, så akkuen kan antændes, ryge, eksplodere eller overophedes.

Beskrivelse af produkt og ydelse



Læs alle sikkerhedsinstrukser og anvisninger.

I tilfælde af manglende overholdelse af sikkerhedsinstrukserne og anvisningerne er der risiko for elektrisk stød, brand og/eller alvorlige kvæstelser.

Beregnet anvendelse

El-værktøjet er beregnet til forbindelsesarbejde i forbindelse med tagdække-, forskallings- og lægtearbejde samt i forbindelse med fremstilling af væg-/loftselementer, træfacader, paller, træhegn, støjbeskyttelsesvægge og kasser.

Der må kun bruges inddrivningsgenstande (søm, klemmer osv.), der er specificeret i tabellen "Tekniske data".

Illustrerede komponenter

Nummereringen af de illustrerede komponenter refererer til illustrationen af el-værktøjet på illustrationssiden.

- 1 Emneskåner
- 2 Udløsningssikring
- 3 Spændearm til åbning/lukning af skudkanalen
- 4 Indstillingshjul til dybdestopindstilling
- 5 Kontakt til spærring af udløsningssystem
- 6 Udløser
- 7 Akku-udløserknop
- 8 Akku
- 9 Håndgreb (isoleret gribeblade)
- 10 Depot til opbevaring af emneskåneren
- 11 Bæltetrok
- 12 Magasin
- 13 Magasinskubber
- 14 Sømmedbringer
- 15 Munding
- 16 Sørækker*

* Tilbehør, som er illustreret og beskrevet i brugsanvisningen, er ikke indeholdt i leveringen. Det fuldstændige tilbehør findes i vores tilbehørsprogram.

Tekniske data

Ledningsfri Dykkertpistol	BN64	BN50
Befæstelser		
Type	16 Ga Dykker	18 Ga Dykker
Længde	32-64mm	25-55mm
Diameter	1.6mm	1.26mm
Vinkel	20°	Lige
Magasin kapacitet, max	110 stk	110 stk
Dimension		
Højde	297mm	281mm
Bredde	95mm	95mm
Længde	329mm	321mm
Vægt*	3,16 kg	3,10 kg
Batteri type	Li-Lon	Li-Lon
Maks spænding	18 V DC	18 V DC
Kapacitet	2,0 Ah*	2,0 Ah*
Maks. Skud hastighed	60 skott/minut	60 skott/minut
Samning kapacitet/fuld opladning (ved kontinuerlig brug)	ca 500 skud	ca 500 skud
Opladningstid	50 min.	50 min.
Tilladte temperature		
Arbejdstemperatur °C	-20 ... +60	-20 ... +60
Opladnings temperatur °C	0 ... +40	0 ... +40
Opbevaringstemperatur °C	-20 ... +25	-20 ... +25

Tekniske data vedrører produktet, incl. Batteri

* Batteri fås i 3,0 Ah. Sælges som ekstra tilbehør.

Støj-/vibrationsinformation

Støjemissionsværdier bestemt iht. EN 60745.

Værktøjets A-vægtede støjniveau er typisk: Lydtrykniveau 92,9 dB(A); lydeffektniveau 105,0 dB(A). Usikkerhed K=3 dB.



Brug høreværn!

Samlede vibrationsværdier ah og usikkerhed K beregnet iht. EN 60745: ah < 2,725 m/s²; K=1,5 m/s².

Det svingningsniveau, der er angivet i nærværende instruktioner, er blevet målt iht. en standardiseret måleproces i EN 60745, og kan bruges til at sammenligne el-værktøjer. Det er også egnet til en foreløbig vurdering af svingningsbelastningen.

Det angivne svingningsniveau repræsenterer de væsentlige anvendelser af el-værktøjet. Hvis el-værktøjet dog anvendes til andre formål, med forskellige tilbehørsdele, med afvigende indsatsværktøj eller utilstrækkelig vedligeholdelse, kan svingningsniveauet afvige. Dette kan føre til en betydelig forøgelse af svingningsbelastningen i hele arbejdstidsrummet.

Til en nøjagtig vurdering af svingningsbelastningen bør der også tages højde for de tider, i hvilke værktøjet er slukket eller godt nok kører, men rent faktisk ikke anvendes. Dette kan føre til en betydelig reduktion af svingningsbelastningen i hele arbejdstidsrummet.

Fastlæg ekstra sikkerhedsforanstaltninger til beskyttelse af brugeren mod svingningers virkning som f.eks.: Vedligeholdelse af el-værktøj og indsatsværktøj, holde hænder varme, organisation af arbejdsforløb.

Montering

Opladning af akku

- Brug kun de ladere, der fremgår af de tekniske data. Kun disse ladeaggregater er afstemt i forhold til den Li-ion-akku, der bruges på dit el-værktøj.

Bemærk: Akkuen er til dels oplades ved udleveringen. For at sikre at akkuen fungerer 100 % oplades akkuen helt før første ibrugtagning.

Li-ion-akkuen kan oplades til enhver tid, uden at levetiden forkortes. En afbrydelse af opladningen beskadiger ikke akkuen.

Li-ion-akkuen er beskyttet mod afladning med "Electronic Cell Protection (ECP)". Er akkuen afladt, slukkes el-værktøjet med en beskyttelseskontakt: Der skydes ikke flere søm ud.



PAS PÅ

Tryk efter automatisk slukning af elværktøjet ikke mere på udløseren. Akkuen kan blive beskadiget.

Læs og overhold henvisningerne mhr. bortskaftelse.

Akku tages ud (se Fig. A)

Akkuen 8 har to låsetrin, der skal forhindre, at akkuen falder ud ved intensivt brug som følge af vibrationer.

- Tryk på udløserknappen 7 (1.) og skub samtidigt akkuen fremad.
- Tryk en gang til på udløserknappen 7 (2.) og træk akkuen helt ud bagudtil.

Magasin fyldes op (se Fig. B1–B4)



Spær udløsningssystemet og tag akkuen ud, før indstillinger foretages på maskinen, tilbehørsdele skiftes og el-værktøjet lægges bort. Disse sikkerhedsforanstaltninger forhindrer en utilsigtet start af el-værktøjet.

- Brug kun originalt tilbehør fra Rapid (se "Tekniske data"). Præcisionsdelene på el-værktøjet som f.eks. magasin, munding og skudkanal er afstemt efter klemmer, søm og stifter fra Rapid. Andre producenter bruger andre stål kvaliteter og mål.
Brug af ikke tilladte inddrivningsgenstande kan beskadige el-værktøjet og føre til kvæstelser.

Hold under bestykningen af magasinet el-værktøjet på en sådan måde, at munden 15 hverken er rettet mod din egen krop eller mod andre personer.

- Rengør efter behov magasinskyderen 13 og sikre, at magasinet 12 ikke er snavset.
- Skub en passende søm række 16 ind i T-slidsen for enden af magasinet 12.
- Tryk den forspændte sømmedbringer 14 mod magasinskyderen 13 og træk samtidigt magasinskyderen indtil magasinets ende 12.

Bemærk: Magasinskyderen skal kunne skydes tilbage uden brug af særlig stor kraft (kun med fingerkraft). Går

magasinskyderen stramt, er sømmene skudt ind i en forkeret vinkel.

- Før magasinskyderen 13 forsigtigt frem med nedtrykket sømmedbringer 14, til sømmedbringeren er skubbet hen over det sidste søm

Bemærk: Sørg for, at magasinskyderen ikke snapper ukontrolleret tilbage. Magasinskyderen kan derved evt. blive beskadiget; desuden er der fare for, at dine fingre kommer i klemme.

Brug

Udløsningsystem

Enkeltudløsning med sikringsfølge

Ved dette udløsningsystem skal udløsningsikringen 2 anbringes fast på emnet. En inddrivningsgenstand skydes først ud, når der trykkes på udløseren 6.

Herefter kan yderligere inddrivninger kun udløses, hvis udløseren og udløsningsikringen forinden er blevet sat i udgangspositionen igen.

Ibrugtagning



Spær udløsningssystemet og tag akkuen ud, før indstillinger foretages på maskinen, tilbehørsdele skiftes og el-værktøjet lægges bort. Disse sikkerhedsforanstaltninger forhindrer en utilsigtet start af el-værktøjet.

Isæt akku

- Brug kun originale li-ion-akkuer fra Rapid, der skal have den spænding, der er angivet på dit el-værktøjs typeskilt. Brug af andre akku'er øger risikoen for personskader og er forbundet med brandfare.
- Anbring den ladede akku 8 i grebet, til den falder rigtigt i hak og flugter med grebets kant.

Søm skydes ud (se Fig. C)

- Anbring munden 15 eller i givet fald den gummierede emneskåner 1 fast på emnet, til udløsningsikringen 2 er trykket helt ind.
- Tryk herefter kort på udløseren 6 og slip den igen. I denne forbindelse skydes et søm ud.
- Få el-værktøjet til at prelle tilbage fra emnet.
- Til en yderligere inddrivning løfter du el-værktøjet helt væk fra emnet og anbringer det fast igen det ønskede sted.

Udløsningsystem spærres

Spær udløsningsystemet, før du foretager indstillinger på maskinen, skifter tilbehørsdele, lægger el-værktøjet væk før lange arbejds pauser eller når arbejdet er færdigt.

Arbejdsvejledning



Spær udløsningsystemet og tag akkuen ud, før indstillinger foretages på maskinen, tilbehørsdele skiftes og el-værktøjet lægges bort. Disse sikkerhedsforanstaltninger forhindrer en utilsigtet start af el-værktøjet.

Før arbejdet påbegyndes: Kontroller, at sikkerheds- og udløsningsanordningerne fungerer som de skal, og at alle skruer og møtrikker sidder rigtigt.

Afbryd straks et defekt eller ikke korrekt arbejdende el-værktøj fra energitilførslen og kontakt et autoriseret Rapid servicecenter.

Forsøg ikke at gennemføre manipulationer på el-værktøjet, der strider imod forskrifterne. Demonter eller bloker ikke dele på el-værktøjet som f.eks. udløsningsikringen.

Gennemfør ingen "nødreparationer" med uegnede midler. El-værktøjet skal vedligeholdes korrekt og med regelmæssige mellemrum (se "Vedligeholdelse og rengøring").

Undgå enhver form for svækkelse og beskadigelse af elværktøjet f.eks. ved:

- indslag eller indgravering, – ombygningsforanstaltninger, der ikke er godkendt af producenten,
- føring af skabeloner, der er fremstillet af hårdt materiale som f.eks. stål,
- tab på eller skydning hen over gulvet,
- håndtering som hammer,
- enhver form for brug af vold.

Du skal være klar over, hvad der findes under eller bag ved dit emne. Skyd ikke søm i vægge, lofter eller gulve, hvis der befinder sig personer bagved. Sømmene kan slå/trænge igennem emnet og kvæste en person.

Skyd ikke søm på et allerede inddrevet søm. Herved kan sømmet deformere sig, sømmene kan komme i klemme eller el-værktøjet kan bevæge sig ukontrolleret.

Bruges el-værktøjet i kolde omgivelsestemperaturer, drives de første søm noget langsommere ind end normalt. Når el-værktøjet har opvarmet sig under arbejdet, er en normal arbejds hastighed mulig igen.

Undgå tomme skud, da slagstemplet ellers slides hurtigere.

Spær udløsningsystemet og tøm helst magasinet, før længere arbejds pauser eller når arbejdet er færdigt.

Magasin tømmes (se Fig. D1–D2)

- Træk magasinskyderen 13 bagud med nedtrykket sømmedbringer 14, til sømmedbringeren frigiver det sidste søm og før så magasinskyderen forsigtigt frem til magasinet start 12.

Bemærk: Sørg for, at magasinskyderen ikke snapper ukontrolleret tilbage. Magasinskyderen kan derved evt. blive beskadiget; desuden er der fare for, at dine fingre kommer i klemme.

Indstilling af dybdeanslag (se Fig. E)

Sømmenes indslagsdybde kan indstilles med indstillingshjulet 4.

- Tøm magasinet 12. (se "Magasin tømmes")
- **Søm skydes for dybt ind:**
Drej indstillingshjulet 4 til venstre for at reducere indslagsdybden.
eller
- **Søm skydes ikke dybt nok ind:**
Drej indstillingshjulet 4 til højre for at øge indslagsdybden.
- Bestyk magasinet igen. (se "Magasin fyldes op")
- Test den nye indslagsdybde på et prøveemne. Gentag i givet fald arbejdsskridtene.

Fastklemninger løsnes (se Fig. F1–F2)

Enkelte søm kan sætte sig i klemme i skudkanalen. Sker det hyppigt, bedes du kontakte et autoriseret Rapid servicecenter.

Bemærk: Kører slagstempet ikke mere tilbage efter løsning af fastklemningen, bedes du kontakte et autoriseret Rapid servicecenter.

- Slip udløseren 6.
- Spær udløsningssystemet (se "Udløsningssystem spærres") og tag akkuen ud 8.
- Tøm magasinet 12. (se "Magasin tømmes")
- Tryk spændearmen 3 ned, så skudkanalen åbner.
- Fjern det fastklemte søm. Dette gøres med en tang.
- Luk skudkanalen, hæng spændearmens bøjle 3 ind i krogene på skudkanalen og tryk så spændearmen op igen.
- Bestyk magasinet igen. (se "Magasin fyldes op")

Emneskåner skiftes (se Fig. G)

Emneskåneren 1 på enden af udløsningssikringen 2 beskytter emnet, til el-værktøjet er placeret rigtigt for inddrivningen.

Emneskåneren kan fjernes og erstattes.

- Træk emneskåneren af udløsningssikringen.
- Skub den åbne ende på den nye emneskåner hen over udløsningssikringen.

Bemærk: En reserve-emneskåner kan opbevares på magasinets overside 12. Skub hertil emneskåneren ind i depotet 10.

Transport og opbevaring

Spær udløsningssystemet (se "Udløsningssystem spærres"), før el-værktøjet transporteres, især hvis du bruger stiger eller bevæger dig i en usædvanlig kropsholdning.

Bær på arbejdspladsen altid el-værktøjet i håndgrebet 9 og sørg altid for, at udløseren 6 ikke er aktiveret.

Opbevar altid el-værktøjet et tørt, varmt sted, separat fra akkuen.

Skal el-værktøjet ikke bruges i længere tid, forsynes værktøjets ståldele med et tyndt lag olie. Dette forhindrer rustaflejring.

Vedligeholdelse og service

Vedligeholdelse og rengøring



Spær udløsningssystemet og tag akkuen ud, før indstillinger foretages på maskinen, tilbehørsdele skiftes og el-værktøjet lægges bort. Disse sikkerhedsforanstaltninger forhindrer en utilsigtet start af el-værktøjet.

- El-værktøj og el-værktøjets ventilationsåbninger skal altid holdes rene for at sikre et godt og sikkert arbejde.

Serviceplan

Rengør magasinet 12. Fjern plastik- eller træspåner, der kan samle sig i magasinet under arbejdet.

Rengør el-værktøjet vha. trykluft med regelmæssige mellemrum.

Transport

De indeholdte Li-Ion-akkuer overholder bestemmelserne om farligt gods. Akkuerne kan transporteres af brugeren på offentlig vej uden yderligere pålæg.

Ved forsendelse gennem tredjemand (f.eks.: lufttransport eller spedition) skal særlige krav vedr. emballage og mærkning overholdes. Her skal man kontakte en faregodsekspert, før forsendelsesstykket forberedes.

Send kun akkuer, hvis huset er ubeskadiget. Tilkøb åbne kontakter og indpak akkuen på en sådan måde, at den ikke kan bevæge sig i emballagen.

Følg venligst også eventuelle, videreførende, nationale forskrifter.

Bortskaffelse



El-værktøj, akku, tilbehør og emballage skal genbruges på en miljøvenlig måde.

Smid ikke el-værktøj, ladeaggregater og akkuer/batterier ud sammen med det almindelige husholdningsaffald!

Gælder kun i EU-lande:



Elht. det europæiske direktiv 2012/19/EU skal kasseret elektriværktøj og iht. det europæiske direktiv 2006/66/EF skal defekte eller opbrugte akkuer/batterier indsamles separat og genbruges iht. gældende miljøforskrifter.

Norsk

Sikkerhetsinformasjon

Generelle advarsler for elektroverktøy



Les gjennom alle advarslene og anvisningene. Overholdes ikke advarslene og anvisninger under, kan dette medføre elektriske støt, brann og/eller alvorlige skader.

Ta godt vare på alle advarslene og informasjonene.

Uttrykket "elektroverktøy" brukt under, gjelder for strømledende elektroverktøy (med ledning) og batteridrevne elektroverktøy (uten ledning).

Sikkerhet på arbeidsplassen

- Hold arbeidsområdet rent og ryddig og sørg for bra belysning. Rotete arbeidsområder eller arbeidsområder uten lys kan føre til ulykker.
- Ikke arbeid med elektroverktøyet i eksplosjonsutsatte omgivelser – der det finnes seg brennbare væsker, gass eller støv. Elektroverktøy lager gnister som kan antenne støv eller damper.
- Hold barn og andre personer unna når elektroverktøyet brukes. Hvis du blir forstyrret under arbeidet, kan du miste kontrollen over elektroverktøyet.

Elektrisk sikkerhet

- Støpselet til elektroverktøyet må passe inn i stikkkontakten. Støpselet må ikke forandres på noen som helst måte. Ikke bruk adapterstøpsler sammen med jordede elektroverktøy. Bruk av støpsler som ikke er forandret på og passende stikkontakter reduserer risikoen for elektriske støt.
- Unngå kroppskontakt med jordede overflater slik som rør, ovner, komfyrer og kjøleskap. Det er større fare ved elektriske støt hvis kroppen din er jordet.
- Hold elektroverktøyet unna regn eller fuktighet. Dersom det kommer vann i et elektroverktøy, øker risikoen for elektriske støt.
- Ikke bruk ledningen til andre formål, f. eks. til å bære elektroverktøyet, henge det opp eller trekke det ut av stikkkontakten. Hold ledningen unna varme, olje, skarpe kanter eller verktøydeler som beveger seg. Med skadede eller ledningskveiler øker risikoen for elektriske støt.
- Når du arbeider utendørs med et elektroverktøy, må du kun bruke en skjøteledning som er egnet til utendørs bruk. Når du bruker en skjøteledning som er egnet for utendørs bruk, reduseres risikoen for elektriske støt.
- Hvis det ikke kan unngås å bruke elektroverktøyet i fuktige omgivelser, må du bruke en jordfeilbryter. Bruk av en jordfeilbryter reduserer risikoen for elektriske støt.

Personsikkerhet

- Vær oppmerksom, pass på hva du gjør, gå fornuftig frem når du arbeider med et elektroverktøy. Ikke bruk elektroverktøy når du er trett eller er påvirket av narkotika, alkohol eller medikamenter. Et øyeblikks uoppmerksomhet ved bruk av elektroverktøyet kan føre til alvorlige skader.

- Bruk personlig verneutstyr og husk alltid å bruke vernebriller. Bruk av personlig sikkerhetsutstyr som støvmaske, sklisikre arbeidssko, hjelm eller hørselvern – avhengig av type og bruk av elektroverktøyet – reduserer risikoen for skader.
- Unngå å starte verktøyet ved en feiltagelse. Forviss deg om at elektroverktøyet er slått av før du kobler det til strømmen og/eller batteriet, løfter det opp eller bærer det. Hvis du holder fingeren på bryteren når du bærer elektroverktøyet eller kobler elektroverktøyet til strømmen i innkoblet tilstand, kan dette føre til uhell.
- Fjern innstillingsverktøy eller skrunøkler før du slår på elektroverktøyet. Et verktøy eller en nøkkel som befinner seg i en roterende verktøydell, kan føre til skader.
- Unngå en unormal kroppsholdning. Sørg for å stå stødig og i balanse. Dermed kan du kontrollere elektroverktøyet bedre i uventede situasjoner.
- Bruk alltid egnede klær. Ikke bruk vide klær eller smykker. Hold hår, tøy og hansker unna deler som beveger seg. Løstsittende tøy, smykker eller langt hår kan komme inn i deler som beveger seg.
- Hvis det kan monteres støvavsug og oppsamlingsanordninger, må du forvise deg om at disse er tilkoblet og brukes på korrekt måte. Bruk av et støvavsug reduserer faren på grunn av støv.

Omhyggelig bruk og håndtering av elektroverktøy

- Ikke overbelast verktøyet. Bruk et elektroverktøy som er beregnet til den type arbeid du vil utføre. Med et passende elektroverktøy arbeider du bedre og sikrer i det angitte effektområdet.
- Ikke bruk elektroverktøy med defekt på-/av-bryter. Et elektroverktøy som ikke lenger kan slås av eller på, er farlig og må repareres.
- Trekk støpselet ut av stikkkontakten og/eller fjern batteriet før du utfører innstillinger på elektroverktøyet, skifter tilbehørsdeler eller legger maskinen bort. Disse tiltakene forhindrer en utilsikket startung av elektroverktøyet.
- Elektroverktøy som ikke er i bruk må oppbevares utlignegelig for barn. Ikke la maskinen brukes av personer som ikke er fortrolig med dette eller ikke har lest disse anvisningene. Elektroverktøy er farlige når de brukes av uerfarne personer.
- Vær nøye med vedlikeholdet av elektroverktøyet. Kontroller om bevegelige verktøydeler fungerer feilfritt og ikke klemmes fast, og om deler er brukt eller skadet, slik at dette innvirker på elektroverktøyet funksjon. La disse skadede delene repareres før elektroverktøyet brukes. Dårlig vedlikeholdte elektroverktøy er årsaken til mange uhell.
- Hold skjæreverktøyene skarpe og rene. Godt stelte skjæreverktøy med skarpe skjær setter seg ikke så ofte fast og er lettere å føre.
- Bruk elektroverktøy, tilbehør, verktøy osv. i henhold til disse anvisningene. Ta hensyn til arbeidsforholdene og arbeidet som skal utføres. Bruk av elektroverktøy til andre formål enn det som er angitt kan føre til farlige situasjoner.

Omhyggelig bruk og håndtering av batteridrevne verktøy

- Lad kun opp batteriet i ladeapparater som er anbefalt av produsenten. Det oppstår brannfare hvis et ladeapparat som er egnet til en bestemt type batterier, brukes med andre batterier.

- Bruk derfor kun riktig type batterier for elektroverktøyene. Bruk av andre batterier kan medføre skader og brannfare.
- Hold batteriet som ikke er i bruk unna binders, mynter, nøkler, spikre, skruer eller andre mindre metallgjenstander, som kan lage en forbindelse mellom kontaktene. En kortslutning mellom batterikontaktene kan føre til forbrenninger eller brann.
- Ved gal bruk kan det lekkte væske ut av batteriet. Unngå kontakt med denne væsken. Ved tilfeldig kontakt må det skylles med vann. Hvis det kommer væske i øynene, må du i tillegg oppsøke en lege. Batterivæske som renner ut kan føre til irritasjoner på huden eller forbrenninger.
- Bruk batteriet kun i kombinasjon med Rapid produktet. Kun slik beskyttes batteriet mot farlig overbelastning.
- Batteriet kan bli skadet av spisse gjenstander som spikre eller skrutrekkere eller på grunn av ytre påvirkning. Resultat kan bli intern kortslutning, og det kan da komme røyk fra batteriet, eller batteriet kan ta fyr, eksplodere eller bli overopphetet.

Produkt- og ytelsesbeskrivelse



Les gjennom alle advarslene og anvisningene

Overholdes ikke advarslene og nevnte anvisninger, kan det medføre elektriske støt, brann og/eller alvorlige skader.

Service

- Elektroverktøyet ditt skal alltid kun repareres av kvalifisert fagpersonale og kun med originale reservedeler. Slik opprettholdes verktøyet sikkerhet.

Sikkerhetsinformasjoner for batteri-stiftepistol

- Gå alltid ut fra at el-verktøyet inneholder stifter. En ubetenksom bruk av stiftepistolen kan føre til en uventet utskyting av stifter som kan skade deg.
- Ikke rett el-verktøyet mot deg selv eller andre personer i nærheten. En uventet utløsning av en stift kan medføre skader.
- Ikke aktiver el-verktøyet før det er satt godt på arbeidsstykket. Hvis el-verktøyet ikke har god kontakt med arbeidsstykket, kan stiften støtes bort fra festestedet.
- Adskill el-verktøyet fra strømmettet eller batteriet, hvis stiften klemmer fast i el-verktøyet. Hvis stiftepistolen er tilkoblet kan den utløses ved en feiltagelse når du fjerner en fastklemt stift.
- Vær forsiktig når du fjerner en stift som sitter fast. Systemet kan være spent og stiften kan skytes kraftig ut mens du forsøker å løsne den fastklemt stiften.
- Ikke bruk denne stiftepistolen til festing av el-ledninger. Den er ikke egnet til installasjon av el-ledninger, kan skade isolasjonen på el-ledninger og kan forårsake elektriske støt og brannfare.
- Bruk egnede detektorer til å finne skjulte strøm-/gass-/vannledninger, eller spør hos det lokale el-/gass-/vannverket. Kontakt med elektriske ledninger kan medføre brann og elektrisk støt. Skader på en gassledning kan føre til eksplosjon. Hull i en vannledning forårsaker materielle skader.
- Ta hensyn til forholdene på arbeidsplassen. Festemateriell kan eventuelt slå gjennom tynne arbeidsstykker eller gli bort fra arbeidsstykker ved arbeid på hjørner og kanter som kan utsette personer for fare.
- Mens du arbeider må du holde elektroverktøyet slik at hodet og kroppen ikke kan skades ved et mulig tilbakeslag på grunn av en forstyrrelse i strømtilførselen eller harde steder i arbeidsstykket.
- Batteriet må ikke åpnes. Det er fare for kortslutning.



Beskytt batteriet mot varme, f. eks. også mot permanent solinnvirkning, ild, vann og fuktighet. Det er fare for eksplosjoner.

- Ved skader og uforutsigelig bruk av batteriet kan det slippe ut damp. Tilfør frisk luft og gå til lege hvis det oppstår helseproblemer. Dampene kan irritere åndedrettsorganene.

Formålmessig bruk

Elektroverktøyet er beregnet til forbindelsesarbeid ved taktekking, forskalinger og lektverk, til konstruksjon av vegg-/takelementer, trefasader, paller, tregerjder, støyvegger og kasser.

Det må kun brukes festemateriell (spikre, stifter etc.) som er angitt i tabellen "Tekniske data".

Illustrerte komponenter

Nummereringen av de illustrerte komponentene gjelder for bildet av elektroverktøyet på illustrasjonssiden.

- 1 Arbeidsstykkebeskyttelse
- 2 Utløserkiring
- 3 Spennarm til åpning/lukking av skuddkanalen
- 4 Stillhjul til innstilling av dybdeanlegg
- 5 Bryter til sperring av utløsesystemet
- 6 Utløser
- 7 Batteri-låsetast
- 8 Batteri
- 9 Håndtak (isolert gripeflate)
- 10 Depot til oppbevaring av arbeidsstykkebeskyttelsen
- 11 Beltekrok
- 12 Magasin
- 13 Magasinnskyver
- 14 Spikermembringer
- 15 Munning
- 16 Nagleskinne*

* Illustrert eller beskrevet tilbehør inngår ikke i standard-leveransen. Det komplette tilbehøret finner du i vårt tilbehørsprogram.

Tekniske data

Batteridrevet Dykkertpistol	BN64	BN50
Festeelement		
Type	16 Ga Dykkert	18 Ga Dykkert
Lengde	32-64mm	25-55mm
Diameter	1.6mm	1.26mm
Vinkel	20°	Rett
Magasinskapasitet, maks.	110 stk	110 stk
Mål og vekt		
Høyde	297mm	281mm
Bredde	95mm	95mm
Lengde	329mm	321mm
Vekt*	3,16 kg	3,10 kg
Batteritype	Li-Ion	Li-Ion
Merkespenning	18 V DC	18 V DC
Kapasitet	2,0 Ah*	2,0 Ah*
Maks. spirkingshastighet	60 skudd/minutt	60 skudd/minutt
Spirkingskapasitet/full lading (ved kontinuerlig bruk)	ca 500 skudd	ca 500 skudd
Oppladings tid	50 minutter	50 minutter
Tillatte temperaturer		
Arbeidstemperatur °C	-20 ... +60	-20 ... +60
Ladetemperatur °C	0 ... +40	0 ... +40
Oppbevaringstemperatur °C	-20 ... +25	-20 ... +25

Tekniske data er for produkt med inkluderte batterier.

* Batteri tilgjengelig i 3,0 Ah selges som ekstra tilbehør.

Støy-/vibrasjonsinformasjon

Støyutslippsverdier målt i henhold til EN 60745.

Maskinens typiske A-bedømte støynivå er: Lydtryknivå 92,9 dB(A); lydeffektnivå 105,0 dB(A). Usikkerhet K=3 dB.



Bruk hørselvern!

Totale svingningsverdier ah og usikkerhet K beregnet jf. EN 60745: $ah < 2,725m/s^2$, $K = 1,5m/s^2$.

Vibrasjonsnivået som er angitt i disse anvisningene, er målt iht. en målemetode som er standardisert i EN 60745 og kan brukes til sammenligning av elektroverktøy med hverandre. Det egner seg også til en foreløpig vurdering av vibrasjonsbelastningen.

Det angitte vibrasjonsnivået representerer de hovedsakelige anvendelsene til elektroverktøyet. Men hvis elektroverktøyet brukes til skudd med forskjellig tilbehør eller utilstrekkelig vedlikehold, kan vibrasjonsnivået avvike. Dette kan føre til en tydelig øking av vibrasjonsbelastningen over hele arbeidstidsrommet.

Til en nøyaktig vurdering av vibrasjonsbelastningen skal det også tas hensyn til de tidene maskinen er slått av eller går og ikke kun når den virkelig brukes. Dette kan tydelig redusere vibrasjonsbelastningen over hele arbeidstidsrommet.

Bestem ekstra sikkerhetstiltak til beskyttelse av brukeren mot vibrasjonenes virkning, som for eksempel: Vedlikehold av elektroverktøy og innsatsverktøy, holde hendene varme, organisere arbeidsforløpene.

Montering

Opplading av batteriet

- Bruk bare laderne som er oppført i de tekniske spesifikasjonene. Kun disse ladeapparatene er tilpasset til Litium-ion-batteriet som er innebygget i elektroverktøyet.

Merk: Batteriet leveres delvis oppladet. For å sikre full effekt fra batteriet, må du lade det helt opp i ladeapparatet før førstegangs bruk.

Litium-ion-batteriet kan lades opp til enhver tid uten at levetiden forkortes. Det skader ikke batteriet å avbryte oppladingen.

Li-ion-batteriet er beskyttet av "Electronic Cell Protection (ECP)" mot total utlading. Når batteriet er utladet, kobles elektroverktøyet ut med en beskyttelseskobling: Det skytes ikke lenger ut festemateriale.



Etter automatisk utkobling av elektroverktøyet, så trykk ikke videre på utløseren. Batteriet kan ta skade.

Følg informasjonene om kassering.

Fjerning av batteriet (se bilde A)

Batteriet 8 har to låsetrinn som skal hindre at batteriet faller ut på grunn av vibrasjoner ved intensiv bruk.

- Trykk på opplåsingstasten 7 (1.) og skyv samtidig batteriet fremover.
- Trykk igjen på opplåsingstasten 7 (2.) og trekk batteriet helt ut bakover.

Påfylling av magasinet (se bildene B1–B4)



Sperr utløsesystemet og ta ut batteriet før du utfører innstillinger på elektroverktøyet, skifter tilbehørsdeler eller legger elektroverktøyet bort. Dette tiltaket forhindrer at elektroverktøyet starter ufrivillig.

- Bruk kun originalt Rapid-tilbehør (se "Tekniske data"). Presisjonsdelene til elektroverktøyet som magasin, munning og skuddkanal er tilpasset for klammer, spiker og stifter fra Rapid. Andre produsenter bruker andre stålkaliteter og mål.

Bruk av ikke tillatt festemateriell kan skade elektroverktøyet og forårsake skader.

Når du fyller magasinet, hold elektroverktøyet slik at munningen ikke peker mot din egen kropp eller andre personer.

- Rengjør magasinskyveren 13 ved behov og sørg for at magasinet 12 ikke er tilsmusset.
- Skyv passende båndede spikere 16 inn i T-slissen på enden av magasinet 12.
- Trykk den forspente spikermedbringeren 14 mot magasinskyveren 13 og trekk samtidig magasinskyveren helt mot enden av magasinet 12.

Merk: Magasinskyveren må kunne skyves tilbake uten å bruke større krefter (kun fingerkraft). En stramtgående magasinskyver fører til at spikerne skytes inn i en gal vinkel.

- Før magasinskyveren 13 med trykt spikermedbringer 14 forsiktig fremover til spikermedbringeren er skjøvet over den siste spikeren og skyv slik de bandede spikerne er helt skjøvet fremover i magasinet.

Merk: Ikke la magasinskyveren smekke tilbake uført. Magasinskyveren kan da skades og det er fare for at fingrene dine klemmes inn.

Bruk

Utløersystem

Enkeltutløser med sikring

Med dette utløersystemet må først utløersikringen 2 settes godt fast på arbeidsstykket. Festematerialet skytes først ut når utløseren 6 trykkes inn.

Senere kan ytterligere innskytinger kun utløses etter at utløseren og utløersikringen er satt tilbake til utgangsposisjonen.

Igangsetting



Sperr utløersystemet og ta ut batteriet før du utfører innstillinger på elektroverktøyet, skifter tilbehørsdeler eller legger elektroverktøyet bort. Dette tiltaket forhindrer at elektroverktøyet starter ufrivillig.

Innsetting av batteriet

- Bruk kun original Rapid litium-ion-batterier med en spenning som er angitt på typeskiltet til elektroverktøyet ditt. Bruk av andre batterier kan medføre skader og brannfare.
- Sett det oppladede batteriet 8 inn i håndtaket til dette går følbart i lås og ligger kant i kant på håndtaket.

Utskyting av spikre (se bilde C)

- Sett munningen 15 eller eventuelt den gummibelagte arbeidsstykkebeskyttelsen 1 godt på arbeidsstykket til utløersikringen 2 er trykt helt inn.
- Trykk deretter kort på utløseren 6 og slipp den igjen. Det skytes da ut en spiker.
- La elektroverktøyet støte tilbake fra arbeidsstykket.
- Ved en ytterligere innskyting løfter du elektroverktøyet helt opp fra arbeidsstykket og setter det godt på det neste ønskede stedet.

Sperring av utløersystemet

Sperr utløersystemet før du utfører maskinnstillinger, skifter tilbehørsdeler, legger bort elektroverktøyet i lengre arbeidspausser eller når arbeidet er ferdig.

Arbeidshenvisninger



Sperr utløersystemet og ta ut batteriet før du utfører innstillinger på elektroverktøyet, skifter tilbehørsdeler eller legger elektroverktøyet bort. Dette tiltaket forhindrer at elektroverktøyet starter ufrivillig.

Før hver arbeidsstart må du sjekke om alle sikkerhets- og utløsermekanismene fungerer feilfritt og om alle skruene og mutrene sitter godt fast.

Fjern et defekt eller ikke feilfritt elektroverktøy straks fra strømtilførselen og ta kontakt med et autorisert Rapid-serviceverksted.

Utfør ikke uforstyrte manipulasjoner på elektroverktøyet. Ikke demonter eller blokker deler av elektroverktøyet, som f. eks. utløersikringen.

Utfør ingen "nødreparasjoner" med uegnede midler. Elektroverktøyet skal vedlikeholdes av en sakkyndig og med jevne mellomrom (se "Vedlikehold og rengjøring").

Unngå enhver svekking og skading av elektroverktøyet, f. eks. med:

- innslåing eller inngravering,
- konstruksjonsendringer som ikke er tillatt av produsenten,
- føring langs sjabloner av hardt material, f.eks. stål,
- fall på eller skyving over gulv,
- bruk som hammer,
- enhver type vold.

Finn ut hva som befinner seg under eller bak arbeidsstykket. Ikke skyt spikre inn i vegger, tak eller gulv, hvis det befinner seg personer bak. Spikerne kan slå gjennom arbeidsstykket og skade noen.

Ikke skyt en spiker inn på en allerede innskutt spiker. Spikeren kan deformeres, klemmes fast eller elektroverktøyet kan bevege seg ukontrollert.

Hvis elektroverktøyet brukes i kulde, skytes de første spikerne langsommere inn enn vanlig. Når elektroverktøyet er blitt varmere i løpet av arbeidet, er en normal arbeidshastighet mulig igjen.

Unngå tomskudd for å redusere slitasjonen på slagstempelen.

Sperr utløersystemet i lengre arbeidspausser og når arbeidet er ferdig og tøm helst magasinet.

Tømming av magasinet (se bildene D1–D2)

- Trekk magasinskyveren 13 med trykt spikermedbringer 14 bakover til spikermedbringeren frigir den siste spikeren og før så magasinskyveren forsiktig fremover til begynnelsen på magasinet 12.

Merk: Ikke la magasinskyveren smekke tilbake uført. Magasinskyveren kan da skades og det er fare for at fingrene dine klemmes inn.

Innstilling av dybdeanlegget (se bilde E)

Innskytingsdybden til spikerne kan stilles inn med stillhjulet 4.

- Tøm magasinet 12. (se "Tømming av magasinet")
- **Spikerne skytes for dypt inn:**
For reduksjon av innskytingsdybden dreier du stillhjulet 4 mot urviserne.
- **Spikerne skytes ikke dypt nok inn:**
For øking av innskytingsdybden dreier du stillhjulet 4 med urviserne.
- Fyll magasinet igjen. (Se "Påfylling av magasinet")
- Test den nye innskytingsdybden på et prøve-arbeidsstykke. Gjenta eventuelt arbeidstrinnene.

Løsning av fastklemminger (se bildene F1–F2)

Enkelte spikere kan klemmes fast i skuddkanalen. Hvis dette hender ofte, må du ta kontakt med en autorisert Rapid-kundeservice.

Merk: Hvis slagstempelen ikke går tilbake igjen etter at fastklemmingen er løst, må du ta kontakt med en autorisert Rapid-kundeservice.

- Slipp utløseren 6.
- Sperr utløersystemet (se "Sperring av utløersystemet") og ta ut batteriet 8.
- Tøm magasinet 12. (se "Tømming av magasinet")
- Trykk spennarmen 3 ned, slik at skuddkanalen kan åpnes.
- Fjern den fastklemte spikeren. Bruk da en tang etter behov.
- Lukk skuddkanalen, heng bøylene til spennarmen 3 inn i krokene på skuddkanalen og trykk spennarmen opp igjen.
- Fyll magasinet igjen. (Se "Påfylling av magasinet")

Skifting av arbeidsstykkebeskyttelsen (se bilde G)

Arbeidsstykkebeskyttelsen 1 på enden av utløersikringen 2 beskytter arbeidsstykket til elektroverktøyet er riktig plassert til innskytingen.

Arbeidsstykkebeskyttelsen kan fjernes og skiftes ut.

- Trekk arbeidsstykkebeskyttelsen av fra utløersikringen.
- Skyv den nye arbeidsstykkebeskyttelsen med den åpne enden over utløersikringen.

Merk: En reserve-arbeidsstykkebeskyttelse kan oppbevares på oversiden av magasinet 12. Skyv da arbeidsstykkebeskyttelsen inn i depotet 10.

Transport og oppbevaring

Til transport av elektroverktøyet må du sperre utløersystemet (se "Sperring av utløersystemet"), spesielt hvis du bruker stige eller beveger deg i en uvant kroppsstilling.

På arbeidsplassen må du kun bære elektroverktøyet i håndtaket 9 og ikke med inntrykket utløser 6.

Oppbevar alltid elektroverktøyet adskilt fra batteriet og på et tørt, varmt sted.

Hvis elektroverktøyet ikke skal brukes over lengre tid, må du smøre inn verktøydelen av stål med et tynt lag olje. Dette forhindrer at det oppstår rust.

Service og vedlikehold

Vedlikehold og rengjøring



Sperr utløersystemet og ta ut batteriet før du utfører innstillinger på elektroverktøyet, skifter tilbehørsdeler eller legger elektroverktøyet bort. Dette tiltaket forhindrer at elektroverktøyet starter ufrivillig.

- Hold alltid elektroverktøyet og ventilasjonsspaltene rene, for å kunne arbeide bra og sikkert.

Vedlikeholdsplan

Rengjør magasinet 12. Fjern plast- eller trespon, som kan ha samlet seg i magasinet i løpet av arbeidet.

Rengjør elektroverktøyet med jevne mellomrom med trykkluft.

Transport

Li-ion-batteriene i verktøyet underligger kravene for farlig gods. Batteriene kan transporteres på veier av brukeren uten ytterligere krav.

Ved forsendelse gjennom tredje person (f. eks.: lufttransport eller spedisjon) må det oppfylles spesielle krav til emballasje og merking. Du må da konsultere en ekspert for farlig gods ved forberedelse av forsendelsen.

Send batterier kun hvis huset ikke er skadet. Lim igjen de åpne kontaktene og pakk batteriet slik at det ikke beveger seg i emballasjen.

Ta også hensyn til eventuelle andre nasjonale forskrifter.

Deponering



Elektroverktøy, batterier, tilbehør og emballasje må leveres inn til en miljøstasjon for gjenvinning.

Elektroverktøy, ladeapparater og batterier/oppladbare batterier må ikke kastes i vanlig søppel!

Kun for EU-land:



Iht. det europeiske direktivet 2012/19/EU om gamle elektriske apparater og iht. det europeiske direktivet 2006/66/EC må defekte eller oppbrukte batterier/oppladbare batterier samles inn adskilt og leveres inn på en miljøstasjon for en miljøvennlig resirkulering.

Turvallisuusohjeita

Sähkötyökalujen yleiset turvallisuusohjeet



VAROITUS

Lue kaikki turvallisuus- ja muut ohjeet. Turvallisuusohjeiden noudattamisen laiminlyönti saattaa johtaa sähköiskun, tulipaloon ja/tai vakavaan loukkaantumiseen.

Säilytä kaikki turvallisuus- ja muut ohjeet tulevaisuutta varten.

Turvallisuusohjeissa käytetty käsite "sähkötyökalu" käsittää verkkokäyttöisiä sähkötyökaluja (verkkojohdolla) ja akkukäyttöisiä sähkötyökaluja (ilman verkkojohtoa).

Työpaikan turvallisuus

- Pidä työskentelyalue puhtaana ja hyvin valaistuna. Työpaikan epäjärjestys tai valaisemattomat työalueet voivat johtaa tapaturmiin.
- Älä työskentele sähkötyökalulla räjähdysalttiissa ympäristössä, jossa on palavaa nestettä, kaasua tai pölyä. Sähkötyökalu muodostaa kipinöitä, jotka saattavat sytyttää pölyn tai höyryt.
- Pidä lapset ja sivulliset loitolla sähkötyökalua käyttäessäsi. Voit menettää laitteesi hallinnan huomiosi suuntautuessa muualle.

Sähköturvallisuus

- Sähkötyökalun pistotulpan tulee sopia pistorasiaan. Pistotulppaa ei saa muuttaa millään tavalla. Älä käytä mitään pistorasia-adaptoreita maadoitettujen sähkötyökalujen kanssa. Alkuperäisessä kunnossa olevat pistotulpat ja sopivat pistorasiat vähentävät sähköiskun vaaraa.
- Vältä koskettamasta maadoitettuja pintoja, kuten putkia, pattereita, liesiä tai jääkaappeja. Sähköiskun vaara kasvaa, jos kehosi on maadoitettu.
- Älä aseta sähkötyökalua alttiiksi sateelle tai kosteudelle. Veden tunkeutuminen sähkötyökalun sisään kasvattaa sähköiskun riskiä.
- Älä käytä verkkojohtoa väärin. Älä käytä sitä sähkötyökalun kantamiseen, ripustamiseen tai pistotulpan irrottamiseen pistorasiasta vetämällä. Pidä johto loitolla kuumuudesta, öljystä, terävistä reunoista ja liikkuvista osista. Vahingoittuneet tai soikeutuneet johdot kasvattavat sähköiskun vaaraa.
- Käyttäessäsi sähkötyökalua ulkona käytä ainoastaan ulkokäyttöön soveltuvaa jatkojohtoa. Ulkokäyttöön soveltuvan jatkojohdon käyttö pienentää sähköiskun vaaraa.

Henkilöturvallisuus

- Ole valpas, kiinnitä huomiota työskentelyysi ja noudata tervettä järkeä sähkötyökalua käyttäessäsi. Älä käytä mitään sähkötyökalua, jos olet väsynyt tai huumeiden, alkoholin tai lääkkeiden vaikutuksen alaisena. Hetken tarkkaamattomuus sähkötyökalua käytettäessä saattaa johtaa vakavaan loukkaantumiseen.
- Käytä suojavarusteita. Käytä aina suojalaseja. Henkilökohtaisen suojavarustuksen käyttö, kuten pölynaamarin, luistamattomien turvakengien, suojakypärän

tai kuulonsuojaimien, riippuen sähkötyökalun lajista ja käyttötavasta, vähentää loukkautumiseriskiiä.

- Vältä tahatonta käynnistämistä. Varmista, että sähkötyökalu on poiskytkettyä, ennen kuin liität sen sähköverkkoon ja/ tai liität akun, otat sen käteen tai kannat sitä. Jos kannat sähkötyökalua sormi käynnistyskytkimellä tai kytket sähkötyökalun pistotulpan pistorasiaan käynnistyskytkimen ollessa käyntiasennossa, altistat itsemi onnettomuudelle.
- Poista kaikki säätötyökalut ja ruuvitaltat, ennen kuin käynnistät sähkötyökalun. Työkalu tai avain, joka sijaitsee laitteen pyörivässä osassa, saattaa johtaa loukkaantumiseen.
- Vältä epänormaalia kehon asentoa. Huolehdi aina tukevasta seisoma-asennosta ja tasapainosta. Täten voit paremmin hallita sähkötyökalua odottamattomissa tilanteissa.
- Käytä tarkoitukseen soveltuvia vaatteita. Älä käytä löysiä työvaatteita tai koruja. Pidä hiukset, vaatteet ja käsinneet loitolla liikkuvista osista. Väljät vaatteet, korut ja pitkät hiukset voivat takertua liikkuviin osiin.
- Jos pölynimur- ja keräilylaitteita voidaan asentaa, tulee sinun tarkistaa, että ne on liitetty ja että niitä käytetään oikealla tavalla. Pölynimulaitteiston käyttö vähentää pölyn aiheuttamia vaaroja.

Sähkötyökalujen huolellinen käyttö ja käsittely

- Älä yliuormita laitetta. Käytä kyseiseen työhön tarkoitettua sähkötyökalua. Sopivaa sähkötyökalua käyttäen työskentelet paremmin ja varmemmin tehoalueella, jolle sähkötyökalu on tarkoitettu.
- Älä käytä sähkötyökalua, jota ei voida käynnistää ja pysäyttää käynnistyskytkimestä. Sähkötyökalu, jota ei enää voida käynnistää ja pysäyttää käynnistyskytkimellä, on vaarallinen ja se täytyy korjata.
- Irrota pistotulppa pistorasiasta, ennen kuin suoritat säätöjä, vaihdat tarvikkeita tai siirät sähkötyökalun varastoitavaksi. Nämä turvatoimenpiteet estävät sähkötyökalun tahattoman käynnistytksen.
- Säilytä sähkötyökalut poissa lasten ulottuvilta, kun niitä ei käytetä. Älä anna sellaisten henkilöiden käyttää sähkötyökalua, jotka eivät tunne sitä tai jotka eivät ole lukeneet tätä käyttöohjetta. Sähkötyökalut ovat vaarallisia, jos niitä käyttävät kokemattomat henkilöt.
- Hoida sähkötyökalusi huolella. Tarkista, että liikkuvat osat toimivat moitteettomasti, eivätkä ole puristuksessa sekä, että siinä ei ole murtuneita tai vahingoittuneita osia, jotka saattaisivat vaikuttaa haitallisesti sähkötyökalun toimintaan. Anna korjata nämä vioittuneet osat ennen käyttöä. Monen tapaturman syyt löytyvät huonosti huolletuista laitteista.
- Pidä leikkausterät terävinä ja puhtaina. Huolellisesti hoidetut leikkaustyökalut, joiden leikkausreunat ovat teräviä, eivät tartu helposti kiinni ja niitä on helpompi hallita.
- Käytä sähkötyökaluja, tarvikkeita, vaihtotyökaluja jne. näiden ohjeiden mukaisesti. Ota tällöin huomioon työolosuhteet ja suoritettava toimenpide. Sähkötyökalun käyttö muuhun kuin sille määrättyyn käyttöön saattaa johtaa vaarallisiin tilanteisiin.

Akkukäyttöisten työkalujen huolellinen käsittely ja käyttö

- Lataa akku vain valmistajan suosittelemassa latauslaitteessa. Latauslaite, joka soveltuu määrättyntyyppiselle akulle, saattaa muodostaa tulipalovaaran erilaista akkua ladattaessa.

- Käytä sähkötyökalussa ainoastaan kyseiseen sähkötyökaluun tarkoitettua akkua. Jonkin muun akun käyttö saattaa johtaa loukkaantumiseen ja tulipaloon.
- Pidä irrallista akkua loitolla metalliesineistä, kuten paperinliittimistä, koloista, avaimista, nauloista, ruuveista tai muista pienistä metalliesineistä, jotka voivat oikosulkea akun koskettimet. Akkukoskettimien välinen oikosulku saattaa aiheuttaa palovammoja tai johtaa tulipaloon.
- Väärästä käytöstä johtuen akusta saattaa vuotaa nestettä. Vältä koskettamasta nestettä. Jos nestettä vahingossa joutuu iholle, huuhtelee kosketuskohta vedellä. Jos nestettä pääsee silmiin, tarvitaan tämän lisäksi lääkäriin apua. Akusta vuotava neste saattaa aiheuttaa ärsytystä ja palovammoja.

Huolto

- Anna ainoastaan koulutettujen ammattihenkilöiden korjata sähkötyökalusi ja hyväksy korjauksiin vain alkuperäisiä varaosia. Täten varmistat, että sähkötyökalu säilyy turvallisenä.

Akkukäyttöisten sinkiläpistoolien ja naulaimien turvallisuusohjeet

- Lähde aina oletuksesta, että sähkötyökalussa on sinkilöitä. Sinkiläpistoolin huoleton käsittely saattaa johtaa tahattomasti ammutuihin sinkilöihin ja loukkaantumiseen.
- Älä suuntaa sähkötyökalua itseesi tai muihin lähellä oleviin henkilöihin. Tahaton laukaisu vapauttaa sinkilän, mikä saattaa johtaa loukkaantumiseen.
- Älä käytä sähkötyökalua, ennen kuin se on tiukasti kiinni työkappaleessa. Jos sähkötyökalu ei ole kiinni työkappaleessa, saattaa sinkilä kimmota kiinnityskohdasta.
- Irrota sähkötyökalu verkosta tai irrota akku, jos sinkilä on jäänyt puristukseen sähkötyökaluun. Jos sinkiläpistooli on liitettynä käyttäjänitteeseen, saattaa se, puristukseen jäänyttä sinkilää irrottaessa, vahingossa lauetta.
- Ole varovainen, kun poistat puristukseen jäänyttä sinkilää. Järjestelmä saattaa olla jännittynyt, jolloin se laukaisee sinkilän voimakkaasti, kun koetat poistaa juuttumisen.
- Älä käytä tätä sinkiläpistoolia sähköjohtojen kiinnittämiseen. Se ei sovellu sähköjohtojen asennukseen, sähköjohdon eriste saattaa vahingoittua, jolloin muodostuu sähköiskun ja tulipalon vaara.
- Käytä sopivia etsintälaitteita pilossa olevien syöttöjohtojen paikallistamiseksi tai käännä paikallisen jakeluhytön puoleen. Kosketus sähköjohtoon saattaa johtaa tulipaloon ja sähköiskuun. Kaasuputken vahingoittaminen saattaa johtaa räjähdykseen. Vesijohtoputken puhkaisu aiheuttaa aineellista vahinkoa.
- Huolehdi työpaikan hyvistä olosuhteista. Kiinnitysosat saattavat lävistää ohuita työkappaleita tai liukua pois työkappaleen kulumista tai reunoista vaarantaen henkilöitä.
- Pidä sähkötyökalu työn aikana niin, että pää ja keho eivät pääse vahingoittumaan energiahuollon häiriön aiheuttaman mahdollisen takaiskun tai työkappaleen kovien kohtien seurauksena.
- Älä avaa akkua. On olemassa oikosulun vaara.



Suojaa akku kuumuudelta esim. myös pitkäaikaiselta auringonpaisteelta, tulelta, vedeltä ja kosteudelta. On olemassa räjähdysvaara.

- Jos akku vaurioituu tai sitä käytetään asiaankuulumattomalla tavalla, siitä saattaa purkautua höyryjä. Tuuleta raikkaalla ilmalla ja hakeudu lääkäriin luos, jos ilmenee haittoja. Höyryt voivat ärsyttää hengitystiehyeyttä.
- Käytä akkua ainoastaan yhdessä Rapid-tuotteesi kanssa. Vain täten suojaat akkusi vaaralliselta ylikuormituksesta.
- Terävät esineet (esim. naulat ja ruuvit) tai kuoreen kohdistuvat iskut voivat vaurioittaa akkua. Akku voi silloin mennä oikosulkuun ja akku voi syttyä palamaan, alkaa savuttaa, räjähtää tai ylikuumentua.

Tuotekuvas



Lue kaikki turvallisuus- ja muut ohjeet

Turvallisuusohjeiden noudattamisen laiminlyönti saattaa johtaa sähköiskuun, tulipaloon ja/tai vakavaan loukkaantumiseen

Määräksenmukainen käyttö

Sähkötyökalu on tarkoitettu liittosyöhön katetoissa, laudoituksessa ja vuorauksessa sekä seinä- ja katto-osien, puujulkisivujen, palleitten, puuatojen, äänieristysseinien ja laattikojen valmistuksessa.

Ainoastaan sellaisia kiinnitysosia (nauloja, hakasia jne.) saa käyttää, jotka on eritelty taulukossa "Tekniset tiedot".

Kuvassa olevat osat

Kuvassa olevien osien numerointi viittaa grafiikkasivussa olevaan sähkötyökalun kuvaan.

- 1 Työkappalesuojus
- 2 Laukaisuvarmistin
- 3 Kiristinvipu laukaisukanavan avaamista/sulkemista varten
- 4 Syvyydenrajoittimen säätöpyörä
- 5 Laukaisujärjestelmää lukitseva kytkin
- 6 Laukaisin
- 7 Akun vapautuspainike
- 8 Akku
- 9 Kahva (eristetty kädensija)
- 10 Työkappalesuojuksen säilytyslokero
- 11 Vyöhakaset
- 12 Lipas
- 13 Lippaan luisti
- 14 Naulantartuin
- 15 Suuaukko
- 16 Naulanauha*

* Kuvassa tai selostuksessa esiintyvä lisätarvike ei kuulu vakioitumukseen. Löydät täydellisen tarvikeluettelon tarvikeohjelmastamme

Tekniset tiedot

Langaton viimeistelynaulain	BN64	BN50
Kiinnitin		
Tyyppi	16 Ga naula	18 Ga naula
Pituus	32-64mm	25-55mm
Halkaisija	1,6mm	1,26mm
Kulma	20°	Suora
Lippaan kapasiteetti, maks.	110 kpl	110 kpl
Mitat		
Korkeus	297mm	281mm
Leveys	95mm	95mm
Pituus	329mm	321mm
Paino*	3,16 kg	3,10 kg
Akkutyypit	Li-Ion	Li-Ion
Nimellisjännite	18 V DC	18 V DC
Kapasiteetti	2,0 Ah	2,0 Ah
Suurin naulausnopeus	60 iskua/min	60 iskua/min
Toimintakapasiteetti / täysi lataus (jatkuva käyttö)	noin 500 iskuashots	noin 500 iskuashots
Latausaika	50 min	50 min
Sallitut lämpötilat		
Käyttölämpötila °C	-20 ... +60	-20 ... +60
Latauslämpötila °C	0 ... +40	0 ... +40
Säilytyslämpötila °C	-20 ... +25	-20 ... +25

Tekniset tiedot toimitussisältöön kuuluvalla akulla.

Melu-/täriänetiedot

Melun mittausarvot on määritetty EN 60745.

Laitteen tyyppilinen A-painotettu äänen painetaso on:

Äänen painetaso 92,9 dB(A); äänen tehotaso 105,0 dB(A).

Epävarmuus K=3 dB.



Käytä kuulonsuojaimia!

Värähtelyn yhteisarvot ah ja epävarmuus K mitattuna EN 60745 mukaan: $ah < 2,725 m/s^2$, $K = 1,5 m/s^2$.

Näissä ohjeissa mainittu värähtelytaso on mitattu normissa EN 60745 standardoidun mittausmenetelmän mukaisesti ja sitä voidaan käyttää sähkötyökalujen keskinäiseen vertailuun. Se soveltuu myös värähtelyrasituksen väliaikaiseen arviointiin.

Ilmoitettu värähtelytaso vastaa sähkötyökalun pääasiallissa käyttötapoja. Jos sähkötyökalua käytetään kuitenkin muihin käyttötarkoituksiin, erilaisilla lisävarusteilla, poikkeavilla käyttötarvikkeilla tai riittämättömästi huollettuna, silloin värähtelytaso saattaa poiketa ilmoitetusta arvosta. Tämä saattaa kasvattaa koko työaikajakson värähtelyrasitusta huomattavasti.

Värähtelyrasituksen tarkaksi arvioimiseksi tulee huomioida myös ne ajat, jolloin laite on sammutettuna tai tyhjäkäynnillä. Tämä voi selvästi pienentää koko työaikajakson värähtelyrasitusta.

Määrittelee tarvittavat lisävarotoimenpiteet käyttäjän suojelemiseksi värähtelyn vaikutuksilta, esimerkiksi: Sähkötyökalujen ja käyttötarvikkeiden huolto, käsien pitäminen lämpiminä, työprosessien organisointi.

Asennus

Akun lataus

- Käytä vain teknisissä tiedoissa ilmoitettuja latauslaitteita. Vain nämä latauslaitteet on sovitettu sähkötyökalussasi käytettävälle litiumioniakulle

Huomio: Akku toimitetaan osittain ladattuna. Jotta akun täysi teho voitaisiin taata, tulee akku ennen ensimmäistä käyttöönottoa ladata täyteen latauslaitteessa.

Litiumioniakkua voidaan ladata milloin vain lyhentämättä akun elinikää. Latauksen keskeytys ei vaurioita akkua.

"Electronic Cell Protection (ECP)" suojaa litiumioniakkua syväpurkaukselta. Akun tyhjetessä suojakytkentä pysäyttää sähkötyökalun: Yhtään kiinnitysosa ei enää voi ampu.



HUOM

Älä enää paina käynnistyskytkintä sähkötyökalun automaattisen poiskytkennän jälkeen. Akku saattaa vahingoittua.

Ota huomioon hävitysohjeet.

Akun irrotus (katso kuva A)

Akussa 8 on kaksi lukitusvaihtetta, joiden tulee estää akkua irtoamasta tehokäytössä syntyvästä täriästä.

- Paina vapautuspainiketta 7 (1.) ja työnnä samalla akkua eteenpäin.
- Paina uudelleen akun lukkopainiketta 7 (2.) ja vedä akku kokonaan ulos taaksepäin.

Lippaan täyttö (katso kuvat B1–B4)



Lukitse laukaisujärjestelmä ja irrota akku, ennen kuin teet laitesäätöjä, vaihdat tarvikkeita tai asetat sähkötyökalun pois. Nämä turvatoimenpiteet estävät sähkötyökalun tahattoman käynnistytksen.

- Käytä vain alkuperäisiä Rapid-lisätarvikkeita (katso "Tekniset tiedot"). Sähkötyökalun tarkkuusosat, kuten lipas, suuaukko ja laukaisukanava on tarkoitettu Rapid:in hakasille, nauloille ja kannattomille nauloille. Muut valmistajat käyttävät muita teräslasuja ja mittoja.
 - Kielettyjen kiinnitysosien käyttö saattaa vahingoittaa sähkötyökalua ja johtaa loukkaantumisiin.
- Pidä sähkötyökalu lippaan täytettäessä niin, että suuaukko 15 ei ole suunnattu omaa kehoa tai muita ihmisiä kohti.
- Puhdista lippaan luisti 13 tarvittaessa ja varmista, että lipas 12 ei ole likaantunut.
 - Työnnä sopiva naulanauha 16 lippaan 12 päässä olevaan T-muotoiseen rakkoon.
 - Paina esijännitetty naulantartuin 14 lippaan luistia 13 vasten ja vedä samanaikaisesti lippaan luisti lippaan 12 päähän asti.

Huomio: Lippaan luistia täytyy pystyä työntämään taakse ilman suurta voimankäyttöä (sormivoimin). Kireäliikkeinen lippaan luisti aiheuttaa naulojen sisääntyönnön vääärässä kulmassa.

- Siirrä lippaan luistia 13 painettulla naulantarttuimella 14 varovasti eteenpäin kunnes naulantartuin on työntynyt

viimeisen naulan päälle ja työnnä näin naulanauha eteen asti lippaassa.

Huomio: Älä anna lipkaan luistin ponnahtaa takaisin ilman ohjausta. Lipkaan luisti saattaa vaurioitua ja on olemassa vaara, että sormesi jäävät puristukseen.

Käyttö

Yksittäislaukaisu ja varmuusjakso

Tässä laukaisujärjestelmässä tulee ensin painaa laukaisuvarmistin

2 tiukasti työkalua vasten. Kiinnitysosa ammutaan vasta, kun laukaisinta 6 painetaan.

Tämän jälkeen voidaan lisätä kiinnitysosa laukaista vasta kun laukaisin ja laukaisuvarmistin ensin on saatettu takaisin lähtöasentoon.

Käyttöönotto



Lukitse laukaisujärjestelmä ja irrota akku, ennen kuin teet laitesäätöjä, vaihdat tarvikkeita tai asetat sähkötyökalun pois. Nämä turvatoimenpiteet estävät sähkötyökalun tahattoman käynnistytksen.

Akun asennus

- Käytä vain alkuperäisiä Rapid-litiumioniakkuja, joiden jännite vastaa sähkötyökalusi tyyppikilvessä olevaa jännitettä. Jonkun muun akun käyttö saattaa johtaa loukkaantumiseen ja tulipaloon.
- Työnnä ladattu akku 8 kahvaan, kunnes se lukkiutuu tuntuvasti ja asettuu tasaisesti kiinni kahvaan.

Naulan laukaisu (katso kuva C)

- Aseta suuaukko 15 tai mahdollisesti kumitettu työkalupalesuojus 1 tukevasti työkalua vasten, kunnes laukaisuvarmistin 2 on painunut kokonaan sisään.
- Paina seuraavaksi laukaisinta 6 lyhyesti ja päästä se taas vapaaksi. Tällöin naula ammutaan ulos.
- Anna sähkötyökalun kimmota takaisin työkalupaleesta.
- Seuraavaa iskuvaihetta varten nostat sähkötyökalun kokonaan irti työkalupaleesta ja asetat sen taas tiukasti seuraavaan haluttuun paikkaan.

Laukaisujärjestelmän lukitseminen

Lukitse laukaisujärjestelmä, ennen kuin säädät laitetta, vaihdat tarvikkeita tai asetat sähkötyökalun pois pitkien työtaukojen ajaksi tai työn loputtua.

Työskentelyohjeita



Lukitse laukaisujärjestelmä ja irrota akku, ennen kuin teet laitesäätöjä, vaihdat tarvikkeita tai asetat sähkötyökalun pois. Nämä turvatoimenpiteet estävät sähkötyökalun tahattoman käynnistytksen

Tarkista aina ennen työn alkua varmuus- ja laukaisulaitteiden moitteeton toiminta sekä kaikkien ruuvien ja muttereiden tiukkuus.

Irrota välittömästi viallinen tai ei moitteettomasti toimiva sähkötyökalu energiansyötöstä ja ota yhteys valtuutettuun Rapid-huoltopisteeseen.

Älä tee ohjeidenvastaisia muutoksia sähkötyökaluun. Älä irrota tai lukitse mitään sähkötyökalun osaa, kuten esim. laukaisuvarmistinta.

Älä suorita mitään "hätähuoltoa" sopimattomin toimin. Sähkötyökalua tulee huoltaa säännöllisesti ja asianmukaisesti (katso "Huolto ja puhdistus").

Vältä sähkötyökalun heikentämistä tai vahingoittamista esim.:

- upottamalla tai kaivertamalla,
- rakennemuutoksilla, joita valmistaja ei ole hyväksynyt,
- ohjaamalla mallineiden avulla, jotka ovat kovaa materiaalia esim. terästä,
- antamalla sen pudota tai työntämällä lattiaa pitkin,
- käyttämällä sitä vasarana,
- käyttämällä mitä tahansa väkivaltaa.

Varmista mitä työkalupaleesi alla tai takana on. Älä ammu nauloja seinään, kattoon tai lattiaan, jos niiden takana on ihmisiä. Naulat voivat puhkaista työkalupaleen ja vahingoittaa jotakuta.

Älä ammu naulaa jo ammutun naulan päälle. Naula saattaa silloin muuttaa muotoaan, kattoon tai lattiaan, jos niiden takana on sähkötyökalu voi liikkua hallitsemattomasti.

Jos sähkötyökalua käytetään kylmissä ympäristöolosuhteissa, ensimmäiset naulat laukeavat normaalia hitaammin. Sen jälkeen kun sähkötyökalu on lämmennyt työstä johtuen, normaali nopeus on taas mahdollinen.

Vältä tyhjiä laukaisuja, iskumeistin kulumisen vähentämiseksi.

Lukitse laukaisujärjestelmä pitkien työtaukojen ajaksi tai työn loputtua ja tyhjennä lipas mikäli mahdollista.

Lipkaan tyhjennys (katso kuvat D1–D2)

- Vedä lipkaan luistia 13 painetulla naulantarttuimella 14 taaksepäin kunnes naulantartuin vapauttaa viimeisen naulan ja työnnä sitten lipkaan luisti varovasti eteenpäin lipkaan 12 alkuun asti.

Huomio: Älä anna lipkaan luistin ponnahtaa takaisin ilman ohjausta. Lipkaan luisti saattaa vaurioitua ja on olemassa vaara, että sormesi jäävät puristukseen.

Syvyydenrajoittimen asetus (katso kuva E)

Naulojen upotussyvyys voidaan säätää säätöpyörällä 4.

- Tyhjennä lipas 12. (katso "Lippaan tyhjennys")
- **Naulat uppoavat liian syvälle:**
Upotussyvyyden pienentämiseksi tulee säätöpyörää 4 kiertää vastapäivään.
tai
- **Naulat eivät uppoa tarpeeksi syvälle:**
Upotussyvyyden suurentamiseksi tulee säätöpyörää 4 kiertää myötäpäivään.
- Tyhjennä lipas uudelleen. (katso "Lippaan täyttö")
- Tarkista uusi upotussyvyys koetyökappaleeseen.
Toista työvaiheet tarvittaessa.

Juuttuneiden kiinnitysosien poistaminen (katso kuvat F1–F2)

Yksittäiset naulat voivat juuttua laukaisukanavaan. Jos tämä tapahtuu usein, pitää ottaa yhteys valtuutettuun Rapid-huoltopisteeseen.

Huomio: Jos iskumeisti ei juuttuneen kiinnitysosan poistamisen jälkeen enää liiku taaksepäin on otettava yhteys valtuutettuun Rapid-huoltopisteeseen.

- Päästä laukaisin 6 vapaaksi.
- Lukitse laukaisujärjestelmä (katso "Laukaisujärjestelmän lukitseminen") ja irrota akku 8.
- Tyhjennä lipas 12. (katso "Lippaan tyhjennys")
- Paina kiristinvipua 3 alaspäin niin, että laukaisukanava voidaan avata.
- Poista juuttunut naula. Käytä tarvittaessa pihtejä.
- Sulje laukaisukanava, ripusta kiristinvivun 3 sankaa laukaisukanavan hakasiin ja paina sitten kiristinvipua taas ylöspäin.
- Tyhjennä lipas uudelleen. (katso "Lippaan täyttö")

Työkappalesuojuksen vaihto (katso kuva G)

Laukaisuvarmistimen 2 päässä oleva työkappalesuojus 1 suojaa työkappaleelta, kunnes sähkötyökalu on sijoitettu oikein iskuvaihetta varten.

Työkappalesuojus voidaan irrottaa ja vaihtaa.

- Vedä irti työkappalesuojus laukaisuvarmistimesta.
- Työnnä uusi työkappalesuojus avoin pää edellä laukaisuvarmistimen päälle.

Huomio: Varatyökappalesuojus voidaan säilyttää lippaan 12 yläpinnassa. Työnnä työkappalesuojus säilytystilaan 10.

Kuljetus ja säilytys

Lukitse sähkötyökalun laukaisujärjestelmä (katso "Laukaisujärjestelmän lukitseminen") kuljetuksen ajaksi, etenkin jos käytät tikapuita tai liikut epätavallisessa asennossa.

Kanna sähkötyökalu työkohteessa ainoastaan kahvasta 9 ja painamatta laukaisinta 6.

Säilytä aina sähkötyökalu akku irrotettuna ja kuivassa, lämpimässä tilassa.

Jos sähkötyökalua ei käytetä pitkään aikaan, sivele työkalun teräsosiin ohut öljykerros. Tämä estää ruosteen muodostumisen.

Hoito ja huolto

Huolto ja puhdistus



Lukitse laukaisujärjestelmä ja irrota akku, ennen kuin teet laitesäätöjä, vaihdat tarvikkeita tai asetat sähkötyökalun pois. Nämä turvatoimenpiteet estävät sähkötyökalun tahattoman käynnistytksen.

- Pidä aina sähkötyökalua ja sähkötyökalun tuuletusaukot puhtaina, jotta voit työskennellä hyvin ja turvallisesti.

Kunnossapitokaava

Puhdista lipas 12. Poista muovi- tai puulastut, jotka työn aikana ovat voineet kerääntyä lippaaseen.

Puhdista sähkötyökalu säännöllisesti paineilman avulla

Kuljetus

Toimitukseen kuuluvat litiumioniakut ovat vaara-ainelain maararusten alaisia. Käyttäjä saa kuljettaa akkuja kadulla ilman erikoistoimenpiteitä.

Toimitettaessa sivullisen kautta (esim.: lentorahti tai huolinta) on noudatettava pakkausta ja merkintää koskevia erikoisvaatimuksia. Talloin on lahetyksen valmistelussa ehdottomasti käytettävä vaara-aineasiatuntijaa.

Laheta akkuja ainoastaan, jos kotelo on vaurioitumaton. Teippaa avoimet liittimet ja pakkaa akku niin, että se ei paase liikkumaan pakkauksessa.

Ota myös huomioon mahdolliset tarkemmat kansalliset määräykset.

Havitys



Sähkötyökalut, akut, lisätarvikkeet ja pakkaukset tulee toimittaa ympäristöstavalliseen uusiokäyttöön.

Älä heitä sähkötyökaluja, latauslaitteita tai akkuja/paristoja talousjätteisiin!

Vain EU-maita varten:



Eurooppalaisen direktiivin 2012/19/EU mukaan kayttokelvottomat sahkotyokalut ja eurooppalaisen direktiivin 2006/66/EY mukaan vialliset tai loppuun kaytetyt akut/paristot taytyy kerata erikseen ja toimittaa ymparistoystavalliseen kiertykseen.

Wskazówki bezpieczeństwa

Ogólne przepisy bezpieczeństwa dla elektronarzędzi



OSTRZEŻENIE

Należy przeczytać wszystkie wskazówki i przepisy. Błędy w przestrzeganiu poniższych wskazówek mogą spowodować porażenie prądem, pożar i/lub ciężkie obrażenia ciała.

Należy starannie przechowywać wszystkie przepisy i wskazówki bezpieczeństwa dla dalszego zastosowania

Użyte w poniższym tekście pojęcie „elektonarzędzie” odnosi się do elektronarzędzi zasilanych energią elektryczną z sieci (z przewodem zasilającym) i do elektronarzędzi zasilanych akumulatorami (bez przewodu zasilającego).

Bezpieczeństwo miejsca pracy

- Stanowisko pracy należy utrzymywać w czystości i dobrze oświetlone. Nieporządek w miejscu pracy lub nieoświetlona przestrzeń robocza mogą być przyczyną wypadków.
- Nie należy pracować tym elektronarzędziem w otoczeniu zagrożonym wybuchem, w którym znajdują się np. łatwopalne ciecze, gazy lub pyły. Podczas pracy elektronarzędziem wytwarzają się iskry, które mogą spowodować zapłon.
- Podczas użytkowania urządzenia zwrócić uwagę na to, aby dzieci i inne osoby postronne znajdowały się w bezpiecznej odległości. Odwrócenie uwagi może spowodować utratę kontroli nad narzędziem.

Bezpieczeństwo elektryczne

- Wtyczka elektronarzędzia musi pasować do gniazda. Nie wolno zmieniać wtyczki w jakikolwiek sposób. Nie wolno używać wtyków adapterowych w przypadku elektronarzędzi z uzziemieniem ochronnym. Niezmienione wtyczki i pasujące gniazda zmniejszają ryzyko porażenia prądem.
- Należy unikać kontaktu z uzmiemionymi powierzchniami jak rury, grzejniki, piece i lodówki. Ryzyko porażenia prądem jest większe, gdy ciało użytkownika jest uzmiemione.
- Urządzenie należy zabezpieczyć przed deszczem i wilgocią. Przedostanie się wody do elektronarzędzia podwyższa ryzyko porażenia prądem.
- Nigdy nie należy używać przewodu do innych czynności. Nigdy nie należy nosić elektronarzędzia, trzymając je za przewód, ani używać przewodu do zawieszania urządzenia; nie wolno też wyciągać wtyczki z gniazdka pociągając za przewód. Przewód należy chronić przed wysokimi temperaturami, należy go trzymać z dala od oleju, ostrych krawędzi lub ruchomych części urządzenia. Uszkodzone lub splątane przewody zwiększają ryzyko porażenia prądem.
- W przypadku pracy elektronarzędziem pod gołym niebem, należy używać przewodu przedłużającego, dostosowanego również do zastosowań zewnętrznych. Użycie właściwego przedłużacza (dostosowanego do pracy na zewnątrz) zmniejsza ryzyko porażenia prądem.
- Jeżeli nie da się uniknąć zastosowania elektronarzędzia w wilgotnym otoczeniu, należy użyć wyłącznika ochronnego różnicowo-prądowego. Zastosowanie wyłącznika

ochronnego różnicowo-prądowego zmniejsza ryzyko porażenia prądem.

Bezpieczeństwo osób

- Podczas pracy z elektronarzędziem należy zachować ostrożność, każdą czynność wykonywać uważnie i z rozwagą. Nie należy używać elektronarzędzia, gdy jest się zmęczonym lub będąc pod wpływem narkotyków, alkoholu lub lekarstw. Moment nieuwagi przy użyciu elektronarzędzia może stać się przyczyną poważnych urazów ciała.
- Należy nosić osobiste wyposażenie ochronne i zawsze okulary ochronne. Noszenie osobistego wyposażenia ochronnego – maski przeciwpyłowej, obuwia z podszewkami przeciwpoślizgowymi, kasku ochronnego lub środków ochrony słuchu (w zależności od rodzaju i zastosowania elektronarzędzia) – zmniejsza ryzyko obrażeń ciała.
- Należy unikać niezamierzonego uruchomienia narzędzia. Przed włożeniem wtyczki do gniazdka i/lub podłączeniem do akumulatora, a także przed podniesieniem lub przeniesieniem elektronarzędzia, należy upewnić się, że elektronarzędzie jest wyłączone. Trzymanie palca na wyłączniku podczas przenoszenia elektronarzędzia lub podłączenie do prądu włączonego narzędzia, może stać się przyczyną wypadków.
- Przed włączeniem elektronarzędzia, należy usunąć narzędzie nastawcze lub klucz. Narzędzie lub klucz, znajdujący się w ruchomych częściach urządzenia mogą doprowadzić do obrażeń ciała.
- Należy unikać nienaturalnych pozycji przy pracy. Należy dbać o stabilną pozycję przy pracy i zachowanie równowagi. W ten sposób możliwa będzie lepsza kontrola elektronarzędzia w nieprzewidywanych sytuacjach.
- Należy nosić odpowiednie ubranie. Nie należy nosić luźnego ubrania ani biżuterii. Włosy, ubranie i rękawice należy trzymać z daleka od ruchomych części. Luźne ubranie, biżuteria lub długie włosy mogą zostać wciągnięte przez ruchome części.
- Jeżeli istnieje możliwość zamontowania urządzeń odsysających i wychwytyjących pył, należy upewnić się, że są one podłączone i będą prawidłowo użyte. Użycie urządzenia odsysającego pył może zmniejszyć zagrożenie pyłami.

Prawidłowa obsługa i eksploatacja elektronarzędzi

- Nie należy przeciążać urządzenia. Do pracy używać należy elektronarzędzia, które są do tego przewidziane. Odpowiednio dobranym elektronarzędziem pracuje się w danym zakresie wydajności lepiej i bezpieczniej.
- Nie należy używać elektronarzędzia, którego włącznik/wyłącznik jest uszkodzony. Elektronarzędzie, którego nie można włączyć lub wyłączyć jest niebezpieczne i musi zostać naprawione.
- Przed regulacją urządzenia, wymianą osprzętu lub po zaprzestaniu pracy narzędziem, należy wyciągnąć wtyczkę z gniazda i/lub usunąć akumulator. Ten środek ostrożności zapobiega niezamierzonemu włączeniu się elektronarzędzia.
- Nieużywane elektronarzędzia należy przechowywać w miejscu niedostępnym dla dzieci. Nie należy udostępniać narzędzia osobom, które go nie znają lub nie przeczytały niniejszych przepisów. Używane przez nieoświadczoną osobę elektronarzędzia są niebezpieczne.

- Konieczna jest należyta konserwacja elektronarzędzia. Należy kontrolować, czy ruchome części urządzenia działają bez zarzutu i nie są zablokowane, czy części nie są pęknięte lub uszkodzone w taki sposób, który miałby wpływ na prawidłowe działanie elektronarzędzia. Uszkodzone części należy przed użyciem urządzenia oddać do naprawy. Wiele wypadków spowodowanych jest przez niewłaściwą konserwację elektronarzędzi.
- Należy stale dbać o ostrość i czystość narzędzi tnących. O wiele rzadziej dochodzi do zakleszczenia się narzędzia tnącego, jeżeli jest ono starannie utrzymane. Zadbane narzędzia łatwiej się też prowadzi.
- Elektronarzędzia, osprzęt, narzędzia pomocnicze itd. należy używać zgodnie z niniejszymi zaleceniami. Uwzględnić należy przy tym warunki i rodzaj wykonywanej pracy. Niezgodnie z przeznaczeniem użycie elektronarzędzia może doprowadzić do niebezpiecznych sytuacji.

Prawidłowa obsługa i eksploatacja narzędzi akumulatorowych

- Akumulatory należy ładować tylko w ładowarkach, zalecanych przez producenta. W przypadku użycia ładowarki, przystosowanej do ładowania określonego rodzaju akumulatorów, w sposób niezgodny z przeznaczeniem, istnieje niebezpieczeństwo pożaru.
- W elektronarzędziach można używać jedynie przewidzianych do tego celu akumulatorów. Użycie innych akumulatorów może spowodować obrażenia ciała i zagrożenie pożarem.
- Nieużywany akumulator należy trzymać z dala od spinaczy, monet, kluczy, gwoździ, śrub lub innych małych przedmiotów metalowych, które mogłyby spowodować zmostkowanie styków. Zwarcie pomiędzy stykami akumulatora może spowodować oparzenia lub pożar.
- Przy niewłaściwym użyciu możliwe jest wydostanie się elektrolitu z akumulatora. Należy unikać kontaktu z nim, a w przypadku niezamierzonego zetknięcia się z elektrolitem, należy umyć dane miejsce ciała wodą. Jeżeli ciecz dostała się do oczu, należy dodatkowo skonsultować się z lekarzem. Elektrolit może doprowadzić do podrażnienia skóry lub oparzeń.

Serwis

- Naprawę elektronarzędzia należy zlecić jedynie wykwalifikowanemu fachowcowi i przy użyciu oryginalnych części zamiennych. To gwarantuje, że bezpieczeństwo urządzenia zostanie zachowane.

Wskazówki dotyczące bezpieczeństwa pracy z urządzeniami do wbijania (zszywek, gwoździ itp.), zasilanych akumulatorami

- Należy zawsze wychodzić z założenia, że w elektronarzędziu znajdują się zszywki. Niedbale obchodzenie się z urządzeniem do wbijania może wywołać nieoczekiwany wyrzut zszywek i spowodować poważne obrażenia.
- Nie wolno kierować elektronarzędzia w swoim kierunku ani w kierunku innych osób, znajdujących się w pobliżu. Nieoczekiwane uruchomienie urządzenia może wywołać wyrzut zszywki i spowodować poważne obrażenia.
- Nie wolno włączać elektronarzędzia przed przyłożeniem go do obrabianego materiału. Jeżeli elektronarzędzie nie

zostało przyłożone do obrabianego materiału, zszywka może odbić się od materiału.

- Jeżeli zszywka zablokowała się w elektronarzędziu, elektronarzędzie należy odłączyć od sieci lub od akumulatora. W przypadku podłączonego elektronarzędzia, podczas usuwania zablokowanej zszywki może dojść do niezamierzonego uruchomienia elektronarzędzia.
- Podczas usuwania zablokowanej zszywki należy zachować szczególną ostrożność. Podczas próby uwolnienia zablokowanej zszywki może się okazać, że napięty mechanizm silnie wyrzuci zszywkę.
- Nie wolno stosować niniejszego urządzenia do wbijania do mocowania przewodów elektrycznych. Niniejsze elektronarzędzie nie jest dostosowane do mocowania instalacji elektrycznych i może uszkodzić izolację przewodów elektrycznych, co z kolei może spowodować porażenie prądem i zagrożenie pożarowe.
- Należy używać odpowiednich przyrządów poszukiwawczych w celu lokalizacji ukrytych przewodów zasilających, lub poprosić o pomoc zakłady miejskie. Kontakt z przewodami znajdującymi się pod napięciem może doprowadzić do powstania pożaru i porażenia elektrycznego. Uszkodzenie przewodu gazowego może doprowadzić do wybuchu. Przebicie przewodu wodociągowego powoduje szkody rzeczowe.
- Należy wziąć pod uwagę warunki panujące na stanowisku pracy. Może zdarzyć się, iż zszywki przebiją cienki materiał lub że się – w przypadku wbijania ich na rogach lub narożnikach – obsuną i spowodują zagrożenie dla osób.
- Elektronarzędzie należy trzymać podczas pracy w taki sposób, aby nie doznać obrażeń głowy i ciała w razie ewentualnego odrzutu spowodowanego zakłóceniami w zasilaniu energią elektryczną lub w razie natrafienia na twarde miejsce w obrabianym materiale.
- Nie otwierać akumulatora. Istnieje niebezpieczeństwo zwarcia.



Akumulator należy chronić przed wysokimi temperaturami, np. przed stałym nasłonecznieniem, przed ogniem, wodą i wilgocią. Istnieje zagrożenie wybuchem.

- W przypadku uszkodzenia i niewłaściwego użytkowania akumulatora może dojść do wydzielania się gazów. Wywietrzyc pomieszczenie i w razie dolegliwości skonsultować się z lekarzem. Gazy mogą uszkodzić drogi oddechowe.
- Akumulator należy używać tylko w połączeniu z wyrobem firmy Rapid, dla którego został on przewidziany. Tylko w ten sposób można uniknąć przeciążenia, które jest niebezpieczne dla akumulatora.
- Ostre przedmioty, takie jak na przykład gwoździe lub śrubokręt, a także działanie sił zewnętrznych mogą spowodować uszkodzenie akumulatora. Może wówczas dojść do zwarcia wewnętrznego akumulatora i do jego przepalenia, eksplozji lub przegrzania.

Opis urządzenia i jego zastosowania



Należy przeczytać wszystkie wskazówki i przepisy.

Błędy w przestrzeganiu poniższych wskazówek mogą spowodować porażenie prądem, pożar i/lub ciężkie obrażenia ciała.

Użycie zgodne z przeznaczeniem

Elektronarzędzie przeznaczone jest do wykonywania połączeń podczas prac dekarских, deskowania i łacenia, a także podczas wykonywania elementów ściennych i dachowych, drewnianych fasad, palet ładunkowych, płotów drewnianych ścian, dźwiękoszczelnych i skrzyń.

Wbijają wolno wyłącznie taki sprzęt (gwoździe, klamry, zszywki itp.), który zostały wyszczególnione w tabeli „Dane techniczne”.

Przedstawione graficznie komponenty

Numeracja przedstawionych graficznie komponentów odnosi się do schematu elektronarzędzia na stronach graficznych.

- 1 Zderzak chroniący powierzchnię materiału
- 2 Zabezpieczenie (bezpiecznik) wyzwalacza
- 3 Dźwignia do otwierania/zamykania kanału
- 4 Pokrętko do regulacji ogranicznika głębokości
- 5 Przelącznik do blokowania mechanizmu wyzwalającego
- 6 Wyzwalacz
- 7 Przycisk odblokowujący akumulator
- 8 Akumulator
- 9 Rękojeść (pokrycie gumowe)
- 10 Schowek do przechowywania zderzaka chroniącego powierzchnię materiału
- 11 Haczyk do paska
- 12 Magazynek
- 13 Sanie magazynku
- 14 Zabierak gwoździ
- 15 Wylot
- 16 Taśma gwoździ*

* Przedstawiony na rysunkach lub opisany w instrukcji użytkowania osprzęt nie wchodzi w skład wyposażenia standardowego. Kompletny asortyment wyposażenia dodatkowego można znaleźć w naszym katalogu osprzętu.

Dane techniczne

Gwoździarka bezprzewodowa do gwoździ druciaków	BN64	BN50
Łącznik		
Typ	16 Ga gwoździ druciak	18 Ga gwoździ druciak
Długość	32–64mm	25–55mm
Średnica	1.6mm	1.26mm
Kąt	20°	Proste
Pojemność magazynka maks.	110 szt.	110 szt.
Wymiary		
Wysokość	297mm	281mm
Szerokość	95mm	95mm
Długość	329mm	321mm
Masa*	3,16 kg	3,10 kg
Typ akumulatora	Li-Ion	Li-Ion
Napięcie znamionowe	18 V DC	18 V DC
Pojemność	2,0 Ah	2,0 Ah
Maks. tempo wbijania	ok. 500 strzałów	ok. 500 strzałów
Wydajność/pełne ładowanie (praca ciągła)	ok. 500 strzałów	ok. 500 strzałów
Czas ładowania	50 min	50 min
Zakres temperatury		
Temperatura robocza °C	-20 ... +60	-20 ... +60
Temperatura ładowania °C	0 ... +40	0 ... +40
Temperatura magazynowania °C	-20 ... +25	-20 ... +25

Dane techniczne podano dla akumulatora dostarczanego z urządzeniem.

Informacja na temat hałasu i wibracji

Emisja hałasu została określona zgodnie z EN 60745.

Określony wg skali A poziom hałasu emitowanego przez urządzenie wynosi standardowo: poziom ciśnienia akustycznego 92,9 dB(A); poziom mocy akustycznej 105,0 dB(A). Niepewność pomiaru K=3 dB.



Stosować środki ochrony słuchu!

Wartości łączne drgań ah i niepewność pomiaru K oznaczone zgodnie z normą EN 60745 wynoszą: $ah < 2,725 m/s^2$, $K = 1,5 m/s^2$. Poziom drgań podany w tych wskazówkach został pomierzony zgodnie z wymaganiami normy EN 60745 dotyczącej procedury pomiarów i można go użyć do porównywania elektronarzędzi. Można go też użyć do wstępnej oceny ekspozycji na drgania.

Podany poziom drgań jest reprezentatywny dla podstawowych zastosowań elektronarzędzia. Jeżeli elektronarzędzie użyte zostanie do innych zastosowań, z innymi narzędziami roboczymi, z różnym osprzętem, a także jeśli nie będzie wystarczająco konserwowane, poziom drgań może odbiegać od podanego. Podane powyżej przyczyny mogą spowodować

podwyższenie ekspozycji na drgania podczas całego czasu pracy.

Aby dokładnie ocenić ekspozycję na drgania, trzeba wziąć pod uwagę także okresy, gdy urządzenie jest wyłączone, lub gdy jest wprawdzie włączone, ale nie jest używane do pracy. W ten sposób łączna (obliczana na pełny wymiar czasu pracy) ekspozycja na drgania może okazać się znacznie niższa.

Należy wprowadzić dodatkowe środki bezpieczeństwa, mające na celu ochronę operatora przed skutkami ekspozycji na drgania, np.: konserwacja elektronarzędzia i narzędzi roboczych, zabezpieczenie odpowiedniej temperatury rąk, ustalenie kolejności operacji roboczych.

Montaż

Ładowanie akumulatora

- Stosować należy tylko ładowarki wyszczególnione w Danych Technicznych. Tylko te ładowarki dostosowane są do ładowania zastosowanego w elektronarzędziu akumulatora litowo-jonowego.

Wskazówka: W momencie dostawy akumulator jest naładowany częściowo. Aby zagwarantować wykorzystanie najwyższej wydajności akumulatora, należy przed pierwszym użyciem całkowicie naładować akumulator w ładowarce. Akumulator litowo-jonowy można doładować w dowolnej chwili, nie powodując tym skrócenia jego żywotności. Przerwanie procesu ładowania nie niesie za sobą ryzyka uszkodzenia ogniw akumulatora.

Dzięki systemowi elektronicznej ochrony ogniw „Electronic Cell Protection (ECP)” akumulator litowo-jonowy jest zabezpieczony przed głębokim rozładowaniem. Przy rozładowanym akumulatorze elektronarzędzie zostaje wyłączone przez układ ochronny. Elementy mocujące (gwoździe, klamry, zszywki) nie są wystrzeliwane.



UWAGA

Po automatycznym wyłączeniu urządzenia nie naciskać ponownie wyzwalacza. Można w ten sposób uszkodzić akumulator.

Przestrzegać wskazówek dotyczących usuwania odpadów.

Wijmowanie akumulatora (zob. rys. A)

Akumulator 8 posiada dwa stopnie blokady, zapobiegające jego wypadnięciu w przypadku wibracji powstałych na wskutek intensywnego użycia.

- Nacisnąć przycisk zwalniania blokady 7 (1.), przesuując jednocześnie akumulator do przodu.
- Ponownie nacisnąć przycisk zwalniania blokady 7 (2.) i całkowicie wyjąć akumulator (pociągając do tyłu).

Napełnianie magazynku (zob. rys. B1–B4)



Przed przystąpieniem do zmiany nastaw, wymiany osprzętu lub przed odłożeniem elektronarzędzia, należy zablokować mechanizm wyzwalający i wyjąć akumulator. Ten środek ostrożności zapobiega niezamierzonemu włączeniu się elektronarzędzia.

- Stosować należy tylko oryginalny osprzęt firmy Rapid (zob. „Dane techniczne”). Drobne elementy elektronarzędzia,

takie jak magazynek, wylot i kanał strzelniczy/prowadnica przystosowane zostały do klamer, gwoździ i sztyftów wyprodukowanych przez firmę Rapid. Elementy mocujące innych producentów mają inne wymiary i wyprodukowane zostały z innego rodzaju stali.

Zastosowanie niedozwolonych elementów mocujących może spowodować uszkodzenie elektronarzędzia oraz spowodować obrażenia.

Podczas ładowania magazynku, elektronarzędzie należy trzymać w taki sposób, aby nie kierować wylotu 15 ani na siebie, ani na inne osoby.

- W razie potrzeby należy oczyścić prowadnicę magazynka 13 i sprawdzić, czy sam magazynek 12 jest wolny od zanieczyszczeń.
- Wsunąć odpowiedni pas gwoździ 16 do otworu w kształcie litery T, znajdującego się na końcu magazynka 12.
- Docisnąć naprężony zabierak gwoździ 14 do sani 13, pociągając równocześnie sanie magazynka aż do samego końca magazynka 12.

Wskazówka: Sanie magazynka powinny dać się lekko przesunąć do pozycji wyjściowej (siłą palców). Jeżeli sanie magazynka stawiają opór, oznacza to, że gwoździe wstrzeliwane będą pod niewłaściwym kątem.

- Przesunąć sanie 13 (z wciśniętym zabierakiem gwoździ 14) ostrożnie do przodu, tak aby zabierak przesunął się ponad ostatnim gwoździem, przesuując w ten sposób pas gwoździ w magazynku do przodu.

Wskazówka: Nie wolno dopuszczać do tego, by sanie magazynka zaskoczyły z powrotem samoczynnie (bez prowadzenia). Może spowodować to uszkodzenie sani, a także istnieje niebezpieczeństwo przycięcia palców.

Praca

Tryb automatycznego wyzwalania zszywek/gwoździ

Działanie (strzały) pojedyncze w serii

Aby pracować w tym trybie należy najpierw mocno przyłożyć zabezpieczenie wyzwalacza 2 do obrabianego materiału. Element wbijany zostanie wystrzelony dopiero po wciśnięciu wyzwalacza 6.

Następne wbijanie jest możliwe dopiero po ustawieniu wyzwalacza i zabezpieczenia wyzwalacza w pozycji wyjściowej.

Uruchomienie



Przed przystąpieniem do zmiany nastaw, wymiany osprzętu lub przed odłożeniem elektronarzędzia, należy zablokować mechanizm wyzwalający i wyjąć akumulator. Ten środek ostrożności zapobiega niezamierzonemu włączeniu się elektronarzędzia

Włożenie akumulatora

- Stosować należy wyłącznie oryginalne akumulatory litowo-jonowe firmy Rapid o napięciu podanym na tabliczce znamionowej elektronarzędzia. Zastosowanie akumulatorów innego typu może spowodować obrażenia oraz grozi pożarem.
- Naładowany akumulator 8 należy włożyć do uchwytu aż do wyczuwalnego zaskoczenia i tak by znajdował się on w zwięźle z uchwytem.

Wystrzeliwanie gwoździ (zob. rys. C)

- Mocno przyłożyć wylot 15 względnie zderzak chroniący powierzchnię 1 do obrabianego materiału, tak aby zabezpieczenie wyzwalacza 2 było całkiem wciśnięte.
- Krótko uruchomić wyzwalacz 6, a następnie ponownie go zwolnić. Nastąpi wyrzut gwoździa.
- Zezwolić na odbicie elektronarzędzia od obrabianego materiału.
- Aby wbić następny element mocujący, należy zdjąć elektronarzędzie z obrabianego materiału, a następnie mocno przyłożyć je do następnego miejsca, w które element ma zostać wbity.

Blokada wyzwalacza

Przed przystąpieniem do zmiany nastaw, wymiany osprzętu, przed odłożeniem elektronarzędzia na dłuższy okres czasu lub po zakończeniu pracy, należy zablokować mechanizm wyzwalający.

Wskazówki dotyczące pracy



Przed przystąpieniem do zmiany nastaw, wymiany osprzętu lub przed odłożeniem elektronarzędzia, należy zablokować mechanizm wyzwalający i wyjąć akumulator. Ten środek ostrożności zapobiega niezamierzonemu włączeniu się elektronarzędzia.

Przed rozpoczęciem pracy należy sprawdzić elementy zabezpieczające i mechanizm wyzwalający pod kątem niezawodnego funkcjonowania, a także skontrolować, czy wszystkie śruby i nakrętki są mocno dociągnięte.

Uszkodzone lub wykazujące zakłócenia w pracy elektronarzędzie należy natychmiast odłączyć od zasilania i skontaktować się z autoryzowanym punktem serwisowym firmy Rapid.

Nie wolno dokonywać żadnych nieprzepisowych zmian przy elektronarzędziu. Nie wolno demontować lub blokować żadnych elementów elektronarzędzia, na przykład zabezpieczenia wyzwalacza.

Nie wolno przeprowadzać „napraw prowizorycznych” za pomocą nieodpowiednich narzędzi. Elektronarzędzie należy regularnie i fachowo konserwować (zob. „Konserwacja i pielęgnacja”).

Należy unikać wszelkich czynności, mogących osłabić lub uszkodzić elektronarzędzie. I tak nie wolno np.:

- uderzać urządzenia lub grawerować na nim,
- wykonywać niedozwolonych przez producenta czynności związanych z przebudową urządzenia,
- prowadzić urządzenia wzdłuż szablonów, które zostały wykonane z twardego materiału, np. stali,
- upuszczać urządzenia lub przesuwac go po podłodze,
- stosować go jako młotka,
- w jakikolwiek sposób używać siły.

Należy sprawdzić, co znajduje się pod lub za obrabianym elementem. Nie wolno wstrzeliwać gwoździ do ścian, sufitów lub podłóg, jeżeli za nimi znajdują się jakieś osoby.

Gwoździe mogą przebić materiał i spowodować obrażenia.

Nie wolno wstrzeliwać gwoździa w wbity już gwoźdź. Skutkiem może być do zniekształcenie gwoździa, może dojść do zablokowania się gwoździa; możliwa jest też utrata kontroli nad elektronarzędziem.

Jeżeli elektronarzędzie eksploatowane jest w zimnym otoczeniu, początkowe gwoździe wbijane są o wiele wolniej, niż zwykle. Rozgrzanie się elektronarzędzia podczas pracy, spowoduje osiągnięcie normalnej prędkości pracy.

Należy unikać strzałów pustych, aby zmniejszyć zużycie się stempla udarowego.

W razie dłuższych przerw w pracy lub po zakończeniu pracy należy zablokować mechanizm wyzwalający i w razie możliwości opróżnić magazynek.

Opróżnianie magazynka (zob. rys. D1–D2)

- Pociągnąć sanie 13 (z wciśniętym zabierakiem gwoździ 14) do tyłu, tak aby zabierak odsonił ostatni gwoźdź, a następnie przesunąć sanie ostrożnie do przodu, aż do początku magazynka 12.

Wskazówka: Nie wolno dopuszczać do tego, by sanie magazynka zaskoczyły z powrotem samoczynnie (bez prowadzenia). Może spowodować to uszkodzenie sani, a także istnieje niebezpieczeństwo przycięcia palców.

Regulacja ogranicznika głębokości (zob. rys. E)

Głębokość wbijania gwoździ można ustawić za pomocą pokrętła 4.

- Opróżnić magazynek 12. (zob. „Opróżnianie magazynka”)
- **Gwoździe wbijane są zbyt głęboko:**
Aby zmniejszyć głębokość wbijania, należy przekręcić pokrętło 4 w kierunku przeciwnym do ruchu wskazówek zegara.
lub
- **Gwoździe wbijane są zbyt płytko:**
Aby zwiększyć głębokość wbijania, należy przekręcić pokrętło 4 w kierunku zgodnym z ruchem wskazówek zegara.
- Ponownie naładować magazynek. (zob. „Napełnianie magazynku”)
- Przetestować nową głębokość wbijania na próbnym materiale.
W razie potrzeby powtórzyć wszystkie kroki.

Zwalnianie blokad (zob. rys. F1–F2)

Istnieje możliwość zablokowania pojedynczych gwoździ w kanale strzelniczym. Jeżeli zdarza się to częściej, należy skontaktować się z autoryzowanym punktem serwisowym firmy Rapid.

Wskazówka: Jeżeli stempel po usunięciu przyczyny zablokowania nie powraca na swoje miejsce, należy skontaktować się z w autoryzowanym punktem serwisowym firmy Rapid.

- Zwolnić wyzwalacz 6.
- Zablokować mechanizm wyzwalający (zob. „Blokada wyzwalacza”) i wyjąć akumulator 8.
- Opróżnić magazynek 12. (zob. „Opróżnianie magazynka”)
- Docisnąć dźwignię 3 ku dołowi, tak, aby kanał strzelniczy dawał się otworzyć.
- Usunąć zablokowane gwoździe. W razie potrzeby należy posłużyć się kleszczami.
- Zamknąć kanał strzelniczy, pałąk dźwigni mocującej 3 zahaczyć o haczyk w kanale i docisnąć dźwignię ponownie ku górze.

- Ponownie naładować magazynek. (zob. „Napełnianie magazynku”)

Wymiana zderzaka chroniącego powierzchnię elementu obrabianego (zob. rys. G)

Zderzak 1, znajdujący się na końcu zabezpieczenia wyzwalacza 2 chroni powierzchnię obrabianego materiału aż do momentu, gdy elektronarzędzie znajdzie się na odpowiednim dla procesu wbijania miejscu.

Zderzak można wyjmować lub wymieniać.

- Zdjąć zderzak z zabezpieczenia wyzwalacza.
- Nasunąć nowy zderzak kierując go otwartym końcem na zabezpieczenie wyzwalacza.

Wskazówka: Zastępczy zderzak może być przechowywany w górnej części magazynka 12. W tym celu należy wsunąć zderzak do schowka 10.

Przechowywanie i transport

Przed przystąpieniem do transportu elektronarzędzia należy zablokować mechanizm wyzwalający (zob. „Blokada wyzwalacza”), w szczególności gdy korzysta się z drabiny, lub gdy poruszanie się odbywa się w nienaturalnej pozycji.

Elektronarzędzie należy nosić trzymając wyłącznie za uchwyt 9; nie wolno go nosić z uruchomionym wyzwalaczem 6.

Elektronarzędzie należy przechowywać wyłącznie po wyjęciu akumulatora, w suchym i ciepłym pomieszczeniu.

Jeżeli elektronarzędzie ma być przez dłuższy czas nieużywane, należy pokryć wszystkie stalowe elementy urządzenia cienką warstwą oleju. Zapobiegnie to powstawaniu rdzy.

Konserwacja i serwis

Konserwacja i pielęgnacja



Przed przystąpieniem do zmiany nastaw, wymiany osprzętu lub przed odłożeniem elektronarzędzia, należy zablokować mechanizm wyzwalający i wyjąć akumulator. Ten środek ostrożności zapobiega niezamierzonemu włączeniu się elektronarzędzia.

- Aby zapewnić bezpieczną i wydajną pracę, elektronarzędzie i szczeliny wentylacyjne należy utrzymywać w czystości.

Plan utrzymania urządzenia w stanie sprawności

Czyścić magazynek 12. Usuwać wióry drewniane i plastikowe, które nagromadziły się w magazynku podczas pracy urządzenia.

Elektronarzędzie należy czyścić w regularnych odstępach czasu przy pomocy sprężonego powietrza.

Transport

Załączone w dostawie akumulatory litowo jonowe podlegają wymaganiom przepisów dotyczących towarów niebezpiecznych. Akumulatory mogą być transportowane drogą lądową przez użytkownika bez konieczności spełnienia jakichkolwiek dalszych warunków.

W przypadku przesyłki przez osoby trzecie (np. transport drogą powietrzną lub za pośrednictwem firmy spedycyjnej) należy dostosować się do szczególnych wymagań dotyczących opakowania i znaczenia towaru. W takim wypadku podczas

przygotowywania towaru do wysyłki należy skonsultować się z ekspertem d/s towarów niebezpiecznych.

Akumulatory można wysyłać tylko wówczas, gdy ich obudowa nie jest uszkodzona. Odsłonięte styki należy zakleić, a akumulator zapakować w taki sposób, aby nie mógł on się poruszać (przesuwać) w opakowaniu.

Należy wziąć też pod uwagę ewentualne przepisy prawa krajowego.

Usuwanie odpadów



Elektronarzędzia, akumulatory, osprzęt i opakowanie należy oddać do powtórnego przetworzenia zgodnego z obowiązującymi przepisami w zakresie ochrony środowiska.

Elektronarzędzi, ładowarek i akumulatorów/baterii nie wolno wyrzucać do odpadów domowych!

Tylko dla państw należących do UE:



Zgodnie z europejską wytyczną 2012/19/UE, niezdatne do użytku elektronarzędzia, a zgodnie z europejską wytyczną 2006/66/WE uszkodzone lub zużyte akumulatory/baterie, należy zbierać osobno i doprowadzić do ponownego przetworzenia zgodnego z zasadami ochrony środowiska.

Eesti

Ohutusnõuded

Üldised ohutusjuhised



TÄHELEPANU

Kõik ohutusnõuded ja juhised tuleb läbi lugeda.

Ohutusnõuete ja juhiste eiramise tagajärjeks võib olla elektrilöök, tulekahju ja/või rasked vigastused.

Hoidke kõik ohutusnõuded ja juhised edasiseks kasutamiseks hoolikalt alles.

Allpool kasutatud mõiste "Elektriline tööriist" käib võrgutoitega (toitejuhtmega) elektriliste tööriistade ja akutoitega (ilma toitejuhtmata) elektriliste tööriistade kohta.

Ohutusnõuded tööpiirkonnas

- Töökoht peab olema puhas ja hästi valgustatud. Töökohas valitsev segadus ja hämarus võib põhjustada õnnetusi.
- Ärge kasutage elektrilist tööriista plahvatusohtlikus keskkonnas, kus leidub tuleohtlike vedelikke, gaase või tolmu. Elektrilistest tööriistadest lööb sädemeid, mis võivad tolmu või aurd süüdata.
- Elektrilise tööriista kasutamise ajal hoidke lapsed ja teised isikud töökohast eema. Kui Teie tähelepanu kõrvale juhitakse, võib seade Teie kontrolli alt väljuda.

Elektriohutus

- Elektrilise tööriista pistik peab pistikupessa sobima. Pistiku kallal ei tohi teha mingeid muudatusi. Ärge kasutage kaitsemaandusega elektriliste tööriistade puhul adapterpistikuid. Muutmata pistikud ja sobivad pistikupesad vähendavad elektrilöögi saamise riski.
- Vältige kehakontakti maandatud pindadega, nagu torud, radiaatorid, pliidid ja külmikud. Kui Teie keha on maandatud, on elektrilöögi oht suurem.
- Hoidke seadet vihma ja niiskuse eest. Kui elektrilises tööriista on sattunud vett, on elektrilöögi oht suurem.
- Ärge kasutage toitejuhet otstarvetel, milleks see ei ole ette nähtud, näiteks elektrilise tööriista kandmiseks, ülesriputamiseks või pistiku pistikupesast väljatõmbamiseks. Hoidke toitejuhet kuumuse, õli, teravate servade ja seadme liikuvate osade eest. Kahjustatud või keerduläinud toitejuhtmed suurendavad elektrilöögi ohtu.
- Kui töötate elektrilise tööriistaga vabas õhus, kasutage ainult selliseid pikendusjuhtmeid, mida on lubatud kasutada ka välistingimustes. Välistingimustes kasutamiseks sobiva pikendusjuhtme kasutamine vähendab elektrilöögi ohtu.
- Kui elektrilise tööriista kasutamine niiskes keskkonnas on vältimatu, kasutage rikkevoolukaitselüliti. Rikkevoolukaitselüliti kasutamine vähendab elektrilöögi ohtu.

Inimeste turvalisus

- Olge tähelepanelik, jälgige, mida Te teete, ning toimige elektrilise tööriistaga töötades kaalutletult. Ärge kasutage elektrilist tööriista, kui olete väsinud või uimastite, alkoholi või ravimite mõju all. Hetkeline tähelepanematus seadme kasutamisel võib põhjustada tõsisid vigastusi.
- Kandke isikukaitsevahendeid ja alati kaitseprille. Isikukaitsevahendite, näiteks tolmu maski, libisemiskindlate

turvajalatsite, kaitsekiivri või kuulmiskaitsevahendite kandmine – sõltuvalt elektrilise tööriista tüübist ja kasutusalaalt – vähendab vigastuste ohtu.

- Vältige seadme tahtmatut käivitamist. Enne pistiku ühendamist pistikupessa, aku ühendamist seadme külge, seadme ülestõstmist ja kandmist veenduge, et elektriline tööriist on välja lülitatud. Kui hoiate elektrilise tööriista kandmisel sõrme lüliti või ühendate vooluvõrku sisselülitatud seadme, võivad tagajärjeks olla õnnetused.
- Enne elektrilise tööriista sisselülitamist eemaldage selle küljest reguleerimis- ja mutrivõtmed. Seadme pöörleva osa küljes olev reguleerimis- või mutrivõti võib põhjustada vigastusi.
- Vältige ebatavalist kehaasendit. Võtke stabiilne tööasend ja hoidke kogu aeg tasakaalu. Nii saate elektrilise tööriista ootamatutes olukordades paremini kontrollida.
- Kandke sobivat rõivastust. Ärge kandke laiu riideid ega ehteid. Hoidke juuksed, rõivad ja kindad seadme liikuvatest osadest eemal. Lotendavad riided, ehted või pikad juuksed võivad sattuda seadme liikuvate osade vahele.
- Kui on võimalik paigaldada tolmu eemaldus- ja tolmu kogumisseadiseid, veenduge, et need on seadmega ühendatud ja et neid kasutatakse õigesti. Tolmu eemaldusseadise kasutamine vähendab tolmu st põhjustatud ohte.

Elektriliste tööriistade hoolikas käsitsemine ja kasutamine

- Ärge koormake seadet üle. Kasutage töö tegemiseks selleks ettenähtud elektrilist tööriista. Sobiva elektrilise tööriistaga töötate ettenähtud jõudluspiirides efektiivsemalt ja ohutumalt.
- Ärge kasutage elektrilist tööriista, mille lüliti on rikkis. Elektrilise tööriista, mida ei ole enam võimalik lülitist sisse ja välja lülitada, on ohtlik ning tuleb parandada.
- Tõmmake pistik pistikupesast välja ja/või eemaldage seadme aku enne seadme reguleerimist, tarvikute vahetamist ja seadme ärapanekut. See ettevaatusabinõu väldib elektrilise tööriista soovimatut käivitamist.
- Kasutusvälisel ajal hoidke elektrilisi tööriistu lastele kättesaamatus kohas. Ärge laske seadet kasutada isikutel, kes seadet ei tunne või pole siinoodud juhiseid lugenud. Asjatundmatute isikute käes on elektrilised tööriistad ohtlikud.
- Hoolitsege seadme eest korralikult. Kontrollige, kas seadme liikuvad osad töötavad veatult ega kiildu kiini. Veenduge, et seadme detailid ei ole murdunud või kahjustatud määral, mis mõjutab seadme töökindlust. Laske kahjustatud detailid enne seadme kasutamist parandada. Paljude õnnetuste põhjuseks on halvasti hooldatud elektrilised tööriistad.
- Hoidke löiketarvikud teravad ja puhtad. Hoolikalt hooldatud, teravate lõikeservadega löiketarvikud kiiluvad harvemini kinni ja neid on lihtsam juhtida.
- Kasutage elektrilist tööriista, lisavarustust, tarvikuid jne vastavalt siinoodud juhistele ning nii, nagu konkreetse seadmetüübi jaoks ette nähtud. Arvestage seejuures tööstingimuste ja teostatava töö iseloomuga. Elektriliste tööriistade nõuetevastane kasutamine võib põhjustada ohtlike olukordi.

Akutööriistade hoolikas käsitsemine ja kasutamine

- Laadige akusid ainult tootja poolt soovitatud akulaadijatega. Akulaadija, mis sobib teatud tüüpi akudele, muutub tuleohhtlikuks, kui seda kasutatakse teiste akudega.
- Kasutage elektrilistes tööriistades ainult selleks ettenähtud akusid. Teiste akude kasutamine võib põhjustada vigastusi ja tulekahjuohtu.
- Hoidke kasutusel mitteolevad akud eemal kirjaklambritest, müntidest, võtmetest, naeltest, kruvidest või teistest väikestest metallasemetest, mis võivad kontaktid omavahel ühendada. Akukontaktide vahel tekkiva lühise tagajärjeks võivad olla põletused või tulekahju.
- Väärkasutuse korral võib akudevadik välja voolata. Väitige sellega kokkupuudet. Juhusliku kokkupuute korral loputage kahjustatud kohta veega. Kui vedelik satub silma, pöörduge lisaks arsti poole. Väljavoolav akudevadik võib põhjustada nahaärritusi või põletusi.

Teenidus

- Laske elektrilist tööriista parandada ainult kvalifitseeritud spetsialistidel, kes kasutavad originaalvaruosi. Nii tagate püsivalt seadme ohutu töö.

Ohutusnõuded akutoitega klambripüstolite kasutamisel

- Laske elektrilist tööriista parandada ainult kvalifitseeritud spetsialistidel, kes kasutavad originaalvaruosi. Nii tagate püsivalt seadme ohutu töö. Ohutusnõuded akutoitega klambripüstolite kasutamisel
- Lähutage alati sellest, et seade sisaldab klambreid. Klambripüstoli hooletul käsitsemisel võivad klambrid soovimatult välja paiskuda ja Teid või teisi inimesi vigastada.
- Ärge suunake seadet iseenda ega läheduses viibivate inimeste poole. Juhuslik vajutamine päästikule toob kaasa klambri väljatulistamise, mis võib põhjustada vigastusi.
- Käsitsege seadet alles siis, kui see on asetatud kindlalt tooriku peale. Kui seade ei ole toorikuga kindlas kokkupuutes, võib klamber kinnituskohalt tagasi pöörduda.
- Juhul kui klamber kiilub seadmesse kinni, lahutage seade vooluvõrgust või eemaldage seadmest aku. Kui klambripüstol on vooluvõrku ühendatud, võib juhtuda, et kinnikiilunud klambri eemaldamisel rakendate seadme soovimatult töle.
- Kinnikiilunud klambri eemaldamisel olge äärmiselt ettevaatlik. Süsteem võib olla pinge all ja klamber võib suure jõuga välja paiskuda.
- Ärge kasutage seda klambripüstolit elektrijuhtmete kinnitamiseks. Seade ei sobi elektriiinstallatsioonitöödeks, kuna võib vigastada elektrijuhtmete isolatsiooni ja tekitada elektrilöögi ja tulekahju ohu.
- Varjatult paiknevate elektrijuhtmete, gaasi- või veetorude avastamiseks kasutage sobivaid otsimiseadmeid või pöörduge kohaliku elektri-, gaasi- või veevarustusfirma poole. Kokkupuutel elektrijuhtmetega tulekahju- ja elektrilöögi oht. Gaasitorustiku vigastamisel plahvatusoht. Veetorustiku vigastamisel materiaalne kahju või elektrilöögi oht.
- Pöörake tähelepanu töökohas valitsevatele tingimustele. Sisestavad kinnitustahendid võivad õhukesti pindu läbistada, nurkades tehtavate tööde korral pinnalt maha libiseda, mille tagajärjel võib seadme kasutaja viga saada.

- Töötamisel hoidke seadet nii, et vooluvarustuse häirest põhjustatud tagasilöögi korral ei vigasta toorik Teie pead ja keha.
- Ärge avage akut. Esineb lühise oht.



Kaitske akut kuumuse, seahulgas pideva päikesekiirguse eest, samuti vee, tule ja niiskuse eest. Esineb plahvatusoht.

- Aku vigastamisel ja ebaõigel käsitsemisel võib akut eralduda aure. Õhutuge ruumi, halva enesetunde korral pöörduge arsti poole. Aured võivad ärritada hingamisteid.
- Kasutage akut üksnes koos Rapidit tööriistaga. Ainult nii on aku ohtliku liigpinge eest kaitstud.
- Teravad esemed, näiteks naelad või kruvikeerajad, samuti löögid, põrutsused jmt võivad akut kahjustada. Akukontaktide vahel võib tekkida lühis ja aku võib süttida, suitsema hakata, plahvatada või üle kuumeneda.

Seadme ja selle funktsioonide kirjeldus



Kõik ohutusnõuded ja juhised tuleb läbi lugeda.

Ohutusnõuete ja juhiste eiramise tagajärjeks võib olla elektrilöök, tulekahju ja/või raske vigastused.

Nõuetekohane kasutamine

Seade on ette nähtud kinnitustöödeks katusekivide paigaldamiseks, sulundlaudade, plaatide, ääriste, seinaja laeelementide kinnitamisel, puifassaadide, aluste, puittarade, müratöökeseinte ja kastide valmistamisel.

Kasutada tohib üksnes tabelis "Tehnilised andmed" loetletud kinnitustahendite (naelu, klambreid jmt).

Seadme osad

Seadme osade numbratsiooni aluseks on jooniste leheküljel toodud numbrid.

- 1 Pinnakaitse
- 2 Kontaktlüüti
- 3 Lukustushoob löögikanali avamiseks/sulgemiseks
- 4 Sügavuspiiriku seadistamise regulaator
- 5 Päästikusüsteemi lukustamise lüüti
- 6 Päästik
- 7 Aku vabastusklahv
- 8 Aku
- 9 Käepide (isoleeritud haardepind)
- 10 Pinnakaitse hoidik
- 11 Vöökonks
- 12 Salv
- 13 Salve lükkur
- 14 Naelahaarats
- 15 Seadme ninaosa
- 16 Naelalint*

* Tarnekomplekt ei sisalda kõiki kasutusjuhendis olevatel joonistel kujutatud või kasutusjuhendis nimetatud lisatarvikuid. Lisatarvikute täieliku loetelu leiate meie lisatarvikute kataloogist.

Tehnilised andmed

Juhtmeta naelapüstol	BN64	BN50
Kinniti		
Tüüp	16 Ga nael	18 Ga nael
Pikkus	32-64mm	25-55mm
Diameeter	1.6mm	1.26mm
Nurk	20°	Sirge
Salve maht. maks.	110 tk	110 tk
Mootmed		
Kõrgus	297mm	281mm
Laius	95mm	95mm
Pikkus	329mm	321mm
Mass*	3,16 kg	3,10 kg
Aku tüüp	Liitiumioon	Liitiumioon
Nimipinge	18 V DC	18 V DC
Võimsus	2,0 Ah	2,0 Ah
Maks. naelutamiskiirus	60 shots/min.	60 shots/min.
Mahutavus/täislaeng (pidev kasutamine)	ligikaudu 500 lasku	ligikaudu 500 lasku
Laadimisaeg	50 min	50 min
Labutat temperatuurid		
Tööt temperatuur °C	-20 kuni +60	-20 kuni +60
Laadimistemperatuur °C	0 kuni +40	0 kuni +40
Hoiustamistemperatuur °C	-20 kuni +25	-20 kuni +25

Tehniliste andmete määratlemiseks kasutati tarnitud akut.

Andmed müra/vibratsiooni kohta

Müratase määratud kooskõlas standardiga EN 60745.

Seadme A-karakteristikuga mõõdetud müratase on üldjuhul: helirõhu tase 92,9 dB(A); müra võimsuse tase 105,0 dB(A). Mõõtemääramatus $K=3$ dB.



Kasutage kuulmiskaitsevahendeid!

Vibratsioonitase ah ja mõõtemääramatus K, kindlaks tehtud kooskõlas standardiga EN 60745. $a_h < 2,725 \text{ m/s}^2$, $K=1,5 \text{ m/s}^2$.

Käesolevas juhendis esitatud vibratsioonitase on mõõdetud standardi EN 60745 kohase mõõtemetodi järgi ja seda saab kasutada elektriliste tööriistade omavaheliseks võrdlemiseks. See sobib ka vibratsiooni esialgseks hindamiseks.

Toodud vibratsioonitase on tüüpiline elektrilise tööriista kasutamisel ettenähtud töödeks. Kui elektrilist tööriista kasutatakse muudeks töödeks, kui kasutatakse teisi tarvikuid või kui tööriista hooldus pole piisav, võib vibratsioonitase olla siiski teistsugune. Sellest tingituna võib vibratsioon olla tööperioodil tervikuna tunduvalt suurem.

Vibratsiooni täpseks hindamiseks tuleb arvesse võtta ka aega, mil seade oli välja lülitatud või küll sisse lülitatud, kuid tegelikult tööle rakendamata. Sellest tingituna võib vibratsioon olla tööperioodil tervikuna tunduvalt väiksem.

Rakendage tööriista kasutaja kaitsmiseks vibratsiooni mõju eest täiendavaid kaitsemeetmeid, näiteks: hooldage tööriistu ja tarvikuid piisavalt, hoidke käed soojas, tagage sujuv töökorraldus.

Montaaž

Aku laadimine

- Kasutage üksnes tehnilistes andmetes loetletud laadimiseseadmeid. Vaid need laadimiseseadmed on ette nähtud elektrilise tööriista kasutatud liitium-ioonaku laadimiseks.

Märkus: Aku on tamimisel osaliselt laetud. Et tagada aku täit mahtuvust, laadige aku enne esmakordset kasutamist akulaadimiseseadmes täiesti täis.

Li-ioon-akut võib laadida igal ajal, ilma et see lühendaks aku kasutusiga. Laadimise katkestamine ei kahjusta akut. Liitium-ioon-akut kaitseb süvätühjenemise eest elementide elektrooniline kaitse "Electronic Cell Protection (ECP)". Tühjenenud aku korral lülitab kaitselüüti elektrilise tööriista välja: Naelu ei lasta enam välja.



TÄHELEPANU

Pärast elektrilise tööriista automaatset väljalülitamist ärge vajutage enam päästikule. See võib kahjustada akut.

Järgige kasutusressursi ammannendud seadmete käitlemise juhiseid.

Aku eemaldamine (vt joonist A)

Akut 8 on kaks lukustusastet, mis takistavad aku väljakukkumist intensiivsel kasutamisel esineva vibratsiooni tõttu.

- Vajutage vabastusklahvile 7 (1.) ja lükake samal ajal akut ette.
- Vajutage veelkord vabastusklahvile 7 (2.) ja tõmmake aku suunaga taha täiesti välja

Salve täitmine (vt jooniseid B1–B4)



Enne seadme seadistamist, tarvikute vahetamist ja seadme ärapanekut lukustades täppisdetailid nagu salv, ninaosa ja löögikanal on kohandatud Rapidi klambrite, naelte ja tihvtidega. Teised tootjad kasutavad teistsuguse kvaliteediga terast ja teiste mootmetega detaile.

- Kasutage ainult Rapidi originaaltarvikuid (vt "Tehnilised andmed"). Elektrilise tööriista täppisdetailid nagu salv, ninaosa ja löögikanal on kohandatud Rapidi klambrite, naelte ja tihvtidega. Teised tootjad kasutavad teistsuguse kvaliteediga terast ja teiste mootmetega detaile.

Teiste tootjate kinnitussvahendite kasutamine võib tööriista kahjustada ja tuua kaasa vigastuste ohu. Hoidke elektrilist tööriista salve täitmise ajal nii, et seadme ninaosa 15 ei ole suunatud ei Teie enda ega teiste inimeste poole.

- Vajaduse korral puhastage salve liugurit 13 ja veenduge, et salv 12 ei ole määrdundud.
- Lükake sobiv naelalint 16 salve 12 otsas olevasse T-kujulisse avasse.
- Suruge eelpingestatud naelahaarats 14 vastu salve liugurit 13 ja tõmmake samal ajal salve liugur salve 12 otsa.

Märkus: Salve liugurit peab saama tagasi lükata ilma suuremat jõudu rakendamata (vaid sõrmega lükates). Tugevasti kinni olev salve liugur põhjustab naelte laskmise vale nurga all.

- Viige salve liugur 13 koos sissevajutatud naelahaaratsiga 14 ettevaatlikult ette, kuni naelahaarats on lükatud üle viimase naela, ja lükake samal ajal naelalint salves täiesti ette.

Märkus: Ärge laske salve liuguril juhitamatult tagasi hüpata. Vastasel korral võib salve liugur viga saada, samuti võivad Teie sõrmed jääda liuguri vahele.

Kasutus

Päästikusüsteem

Üksiklöögi vabastamine

Selle vabastussüsteemi puhul tuleb kõigepealt suruda kontaktlüliti 2 tugevasti vastu pinda. Kinnitusvahend lastakse välja alles siis, kui vajutate päästikule 6.

Järgmist kinnitusvahendit saab välja lasta vaid siis, kui päästik ja kontaktlüliti on eelnevalt viidud tagasi algasendisse.

Kasutuselevõtt



Enne seadme seadistamist, tarvikute vahetamist ja seadme ärapanekut lukustage päästikusüsteem ja eemaldage aku. See ettevaatusabinõu hoiab ära tööriista soovimatu käivitumise.

Aku paigaldamine

- Kasutage ainult Rapidi originaalseid Li-ioon-akusid, mille pingele vastab seadme andmesildil toodud pingele. Teiste akude kasutamine võib põhjustada vigastusi ja põlengu ohtu.
- Asetage laetud aku 8 pidemisse, kuni see tuntavalt kohale fikseerub ja pidemega ühetasa asub.

Naelte väljalaskmine (vt joonist C)

- Suruge seadme ninaosa 15 või kummiga kaetud pinnakaitset 1 tugevasti vastu toorikut seni, kuni kontaktlüliti 2 on täiesti sisse vajutatud. – Seejärel vajutage korraks päästikule 6 ja vabastage see siis. Seejuures lastakse nael välja.
- Laske elektrilisel tööriistal toorikult tagasi pörkuda.
- Järgmise naela sisselaskmiseks eemaldage seade toorikult ja asetage see kohta, kus soovite järgmist naela sisestada.

Päästikusüsteemi lukustamine

Enne seadme seadistamist, tarvikute vahetamist, seadme hoivlepanekut ja pärast töö lõpetamist lukustage päästikusüsteem

Tööjuhised



Enne seadme seadistamist, tarvikute vahetamist ja seadme ärapanekut lukustage päästikusüsteem ja eemaldage aku. See ettevaatusabinõu hoiab ära tööriista soovimatu käivitumise.

Iga kord enne töö alustamist kontrollige turvaseadiste ja lülite veatut toimimist ning kõikide kruvide ja mutrite kindlat kinnitumist.

Elektriline tööriist, mis on defektne või ei tööta veatult, ühendage voluvarustusest kohe lahti ja võtke ühendust Rapidi volitatud remonditöökojaga.

Ärge modifitseerige elektrilist tööriista mingil viisil. Ärge eemaldage ega blokeerige elektrilise tööriista osi, näiteks päästikukaitset.

Ärge tehke "kiireloomulisi parandustöid" ebasobivate vahenditega. Elektrilist tööriista tuleb järjepidevalt ja asjatundlikult hooldada (vt "Hooldus ja puhastus").

Ärge kahjustage elektrilist tööriista mingil viisil, keelatud on järgmised tegevused:

- seadme graveerimine,
- ümberehitus, mida tootja ei ole ette näinud,
- kõvast materjalist, nt terasest, valmistatud šabloonide kinnitamine,
- maha kukkuda laskmine või seadme vedamine mööda põrandat,
- käsitsemine haamrina,
- jõu rakendamine mis tahes viisil.

Tehke kindlaks, mis asub pinna all või taga. Ärge lööge naelu seintesse, lagedesse või põrandatesse, mille taga on inimesed. Naelad võivad pinna läbibista ja inimesi vigastada.

Ärge lööge naela juba sisselöödud naela peale. Seejuures võib nael deformeeruda, naelad võivad omavahel kinni kiiluda ja elektrilist tööriista ei ole enam võimalik kontrolli all hoida.

Kui elektrilist tööriista kasutatakse madalal temperatuuril, lähevad esimesed naelad sisse aeglasemalt. Kui elektriline tööriist on töötades soojenenud, töötab see taas tavakiirusele.

Vältige tühilaske, et vähendada löögimatriisi kulumist.

Pikemate töökatkestuste järel ja pärast töö lõppu lukustage päästikusüsteem ja tühjendage salv.

Salve tühjendamine (vt jooniseid D1–D2)

- Tõmmake salve liugur 13 koos sissevajutatud naelahaaratsiga 14 taha, kuni naelahaarats viimase naela vabastab, ja seejärel viige salve liugur ettevaatlikult ette salve 12 esiossa.

Märkus: Ärge laske salve liuguril juhitamatult tagasi hüpata. Vastasel korral võib salve liugur viga saada, samuti võivad Teie sõrmed jääda liuguri vahele.

Sügavuspiiriku seadistamine (vt joonist E)

Naelte sissetungimissügavust saab reguleerida regulaatoriga 4.

- Tühjendage salv 12. (vt "Salve tühjendamine")
- **Naelad lastakse liiga sügavale** sisselaskmissügavuse vähendamiseks keerake regulaatorit 4 vastupäeva.
või
- **Naelad ei lähe piisavalt sügavale:** sisselaskmissügavuse suurendamiseks keerake regulaatorit 4 päripäeva
- Täitke salv uuesti. (vt "Salve täitmine")
- Veenduge reguleeritud sissetungimissügavuse sobivuses proovipinnal. Vajaduse korral korrake tööoperatsioone.

Kinnikiilunud naelte vabastamine (vt jooniseid F1–F2)

Üksikud naelad võivad löögikanalisse kinni jääda. Kui seda peaks juhtuma tihti, pöörduge Rapidi volitatud remonditöökotta

Märkus: Kui pärast kinnikiilunud naela eemaldamist ei liigu löögimatriits enam tagasi, pöörduge Rapidi volitatud remonditöökotta

- Vabastage päästik
- Lukustage päästikusüsteem (vt "Päästikusüsteemi lukustamine", lk 119) ja eemaldage aku 8.
- Tühjendage salv 12. (vt "Salve tühjendamine")
- Suruge lukustushoob 3 alla, nii et löögikanalit on võimalik avada.
- Eemaldage kinnikiilunud nael. Vajaduse korral kasutage selleks tange.
- Sulgege löögikanal, asetage lukustushoova 3 kaar löögikanali riputi külge ja suruge lukustushoob seejärel uuesti üles.
- Täitke salv uuesti. (vt "Salve täitmine")

Pinnakaitse vahetamine (vt joonist G)

Pinnakaitse 1, mis on päästikukaitse 2 peal, kaitseb toorikut ajal, mil tööriista seatakse naela sisselöömiseks õigesse asendisse.

Pinnakaitset saab eemaldada ja välja vahetada.

- Tõmmake pinnakaitse kontaktlüliti pealt ära.
- Lükake uus pinnakaitse kontaktlüliti peale.

Märkus: Varukaitset saab hoida salve 12 peal. Selleks asetage pinnakaitse hoidikusse 10.

Transport ja säilitamine

Elektrilise tööriista transportimiseks lukustage päästikusüsteem (vt "Päästikusüsteemi lukustamine"), seda eeskätt juhul, kui kasutate redelit või liigute edasi ja teie keha on ebaharilikus asendis.

Kandmisel hoidke elektrilist tööriista vaid käepidemest 9 ning päästik 6 ei tohi olla sisse vajutatud.

Kasutusvälisel ajal peab aku olema elektrilisest tööriistast välja võetud ning tööriista tuleb hoida kuivas ja soojas kohas.

Kui te elektrilist tööriista pikemat aega ei kasuta, määrige terasest detaile vähese õliga. See hoiab ära rooste tekke.

Hooldus ja teenindus

Hooldus ja puhastus



Enne seadme seadistamist, tarvikute vahetamist ja seadme ärapanekut lukustage päästikusüsteem ja eemaldage aku. See ettevaatusabinõu hoiab ära tööriista soovimatut käivitumist

- Seadme laitmatu ja ohutu töö tagamiseks hoidke seade ja selle ventilatsioonivad puhtad

Korrashoid

Puhastage salv 12. Eemaldage plast- või puitlaastud, mis võivad töötamise ajal salve koguneda.

Puhastage elektrilist tööriista regulaarselt suruõhuga.

Transport

Komplektis sisalduvate liitium-ioon-akude suhtes kohaldatakse ohtlike ainete vedu reguleerivaid nõudeid. Akude puhul on lubatud kasutajapoolne piiranguteta maanteevedu.

Kolmandate isikute teostatava veo korral (nt õhuvedu või ekspedeerimine) tuleb järgida pakendi ja tähistuse osas kehtivaid erinõudeid. Sellisel juhul peab pakendi ettevalmistamisel alati osalema ohtlike ainete veo ekspert.

Aku vedu on lubatud vaid siis, kui aku korpus on vigastusteta. Katke lahtised kontaktid teibiga ja pakkige aku nii, et see pakendis ei liiguks.

Järgige ka võimalikke täiendavaid siseriiklike nõudeid.

Kasutuskõlbmatuks muutunud seadmete käitlus



Elektrilised tööriistad, akud, lisatarvikud ja pakendid tuleb keskkonناسäästlikult ringlusse võtta.

Ärge käidelize elektrilisi tööriistu, akulaadimisseadmeid ja akusid/patareiseid koos olmejäätmetega!

Üksnes EL liikmesriikidele:



Vastavalt Euroopa Liidu direktiivile 2012/19/EL elektri- ja elektroonikaseadmete jäätmete kohta ja vastavalt direktiivile 2006/66/EÜ tuleb defektseid või kasutusressursi ammendanud akud/patareid eraldi kokku koguda ja keskkonناسäästlikult korduskasutada.

Lietuviškai

Saugos nuorodos

Bendrosios darbo su elektriniais įrankiais saugos nuorodos



ĮSPĖJIMAS

Perskaitykite visas šias saugos nuorodas ir reikalavimus. Jei nepaisysite žemiau pateiktų saugos nuorodų ir reikalavimų, gali trenkti elektros smūgis, kilti gaisras ir galite sunkiai susižaloti arba sužaloti kitus asmenis

Išsaugokite šias saugos nuorodas ir reikalavimus, kad ir ateityje galėtumėte jais pasinaudoti.

Toliau pateiktame tekste vartojama sąvoka „Elektrinis įrankis“ apibūdina įrankius, maitinamus iš elektros tinklo (su maitinimo laidu), ir akumuliatorinius įrankius (be maitinimo laido).

Darbo vietos saugumas

- Darbo vieta turi būti švari ir gerai apšviesta. Netvarkinga arba blogai apšviesta darbo vieta gali tapti nelaimingų atsitikimų priežastimi.
- Nedirbkite su elektriniu įrankiu aplinkoje, kurioje yra degių skysčių, dujų ar dulkių. Elektriniai įrankiai gali kibirkščiuoti, o nuo kibirkščių dulkės arba susikaupę garai gali užsidegti.
- Dirbdami su elektriniu įrankiu neleiskite šalia būti žiūrovams, vaikams ir lankytojams. Nukreipę dėmesį į kitus asmenis galite nebesuvaldyti prietaiso.

Elektrosauga

- Elektrinio įrankio maitinimo laido kištukas turi atitikti tinklo kištukinio lizdo tipą. Kištuko jokių būdų negalima modifikuoti. Nenaudokite kištuko adapterių su žemintais elektriniais įrankiais. Originalūs kištukai, tiksliai tinkantys elektros tinklo kištukiniams lizdai, sumažina elektros smūgio pavojų.
- Saugokitės, kad neprisiliestumėte prie žemintų paviršių, pvz., vamzdžių, šildytuvų, viryklių ar šaldytuvų. Kai jūs kūnas yra žemintas, padidėja elektros smūgio rizika.
- Saugokite elektrinį įrankį nuo lietaus ir drėgmės. Jei į elektrinį įrankį patenka vandens, padidėja elektros smūgio rizika.
- Nenaudokite maitinimo laido ne pagal paskirtį, t.y. neneškite elektrinio įrankio paėmę už laido, nekabinkite ant laido, netraukite už jo, jei norite iš kištukinio lizdo ištraukti kištuką. Laidą patieskite taip, kad jo neveiktų karštis, jis neišsitemptų alyva ir jo nepažeistų aštrios detalės ar judančios prietaiso dalys. Pažeisti arba susipynę laidai gali tapti elektros smūgio priežastimi.
- Jei su elektriniu įrankiu dirbate lauke, naudokite tik tokius ilginamuosius laidus, kurie tinka ir lauko darbams. Naudojant lauko darbams pritaikytus ilginamuosius laidus, sumažėja elektros smūgio pavojus.
- Jei su elektriniu įrankiu neišvengiamai reikia dirbti drėgnoje aplinkoje, naudokite nuotėkio srovės saugiklį. Dirbant su nuotėkio srovės saugikliu sumažėja elektros smūgio pavojus.

Žmonių sauga

- Būkite atidūs, sutelkite dėmesį į tai, ką jūs darote ir, dirbdami su elektriniu įrankiu, vadovaukitės sveiku protu.

Nedirbkite su elektriniu įrankiu, jei esate pavargę arba vartojote narkotikų, alkoholio ar medikamentų. Akimirksnio neatidumas dirbant su elektriniu įrankiu gali tapti sunkiu sužalojimų priežastimi.

- Visada dirbkite su asmens apsaugos priemonėmis ir apsauginiais akiniais. Naudojant asmens apsaugos priemones, pvz., respiratorių ar apsauginę kaukę, neslystantčius batus, apsauginį šalną, klausos apsaugos priemones ir kt., rekomenduojamas atitinkamai pagal naudojamą elektrinį įrankį, sumažėja rizika susižeisti.
- Saugokitės, kad elektrinio įrankio neįjungtumėte atsitiktinai. Prieš prijungdami elektrinį įrankį prie elektros tinklo ir/arba akumuliatoriaus, prieš pakeldami ar nešdami įsitikinkite, kad jis yra išjungtas. Jeigu nešdami elektrinį įrankį pirštą laikysite ant jungiklio arba prietaisą įjungsite į elektros tinklą, kai jungiklis yra įjungtas, gali įvykti nelaimingas atsitikimas.
- Prieš įjungdami elektrinį įrankį pašalinkite reguliavimo įrankius arba veržlinius raktus. Prietaiso besisukančioje dalyje esantis įrankis ar raktas gali sužaloti.
- Stenkitės, kad kūnas visada būtų normalioje padėtyje. Dirbdami stovėkite saugiai ir visada išlaikykite pusiausvyrą. Tvirtai stovėdami ir gerai išlaikydami pusiausvyrą galėsite geriau kontroliuoti elektrinį įrankį netikėtose situacijose.
- Dėvėkite tinkamą aprangą. Nedėvėkite plačių drabužių ir papuošalų. Saugokite plaukus, drabužius ir pirštines nuo besisukančių elektrinio įrankio dalių. Laisvus drabužius, papuošalus bei ilgus plaukus gali įtraukti besisukančios dalys.
- Jei yra numatyta galimybė prijungti dulkių nusiurbimo ar surinkimo įrenginius, visada įsitikinkite, ar jie yra prijungti ir ar tinkamai naudojami. Naudojant dulkių nusiurbimo įrenginius sumažėja kenksmingas dulkių poveikis.

Rūpestinga elektrinių įrankių priežiūra ir naudojimas

- Neperkraukite prietaiso. Naudokite jūsų darbui tinkamą elektrinį įrankį. Su tinkamu elektriniu įrankiu jūs dirbsite geriau ir saugiau, jei neviršysite nurodyto galimumo.
- Nenaudokite elektrinio įrankio su sugedusiu jungikliu. Elektrinis įrankis, kurio nebegalima įjungti ar išjungti, yra pavojingas ir jį reikia remontuoti.
- Prieš reguliuodami prietaisą, keisdami darbo įrankius ar prieš valydami prietaisą, iš elektros tinklo lizdo ištraukite kištuką ir/arba išimkite akumuliatorių. Ši atsargumo priemonė apsaugos jus nuo netikėto elektrinio įrankio įsijungimo.
- Nenaudojamą elektrinį įrankį sandėliuokite vaikams ir nemokantiems juo naudotis asmenims neprieinamoje vietoje. Elektriniai įrankiai yra pavojingi, kai juos naudoja nepatyrę asmenys.
- Rūpestingai prižiūrėkite elektrinį įrankį. Patikrinkite, ar besisukančios prietaiso dalys tinkamai veikia ir niekur nestringa, ar nėra sulūžusių ar pažeistų dalių, kurios trykdytų elektrinio įrankio veikimą. Prieš vėl naudojant prietaisą, pažeistos prietaiso dalys turi būti sutaisytos. Daugelio nelaimingų atsitikimų priežastis yra blogai prižiūrimi elektriniai įrankiai.
- Pjovimo įrankiai turi būti aštrūs ir švarūs. Rūpestingai prižiūrėti pjovimo įrankiai su aštriomis pjaunamosiomis briaunomis mažiau stringa ir juos yra lengviau valdyti.
- Elektrinį įrankį, papildomą įrangą, darbo įrankius ir t.t. naudokite taip, kaip nurodyta šioje instrukcijoje, ir atsižvelkite

į darbo sąlygas ir atliekamą darbą. Naudojant elektrinius įrankius ne pagal paskirtį, gali susidaryti pavojingos situacijos.

Rūpestinga akumuliatorių įrankių priežiūra ir naudojimas

- Akumuliatorių įkrauti naudokite tik tuos įkroviklius, kuriuos rekomenduoja gamintojas. Naudojant kitokio tipo akumuliatoriams skirtą įkroviklį, iškyla gaisro pavojus.
- Su elektriniu įrankiu galima naudoti tik jam skirtą akumuliatorių. Naudojant kitokius akumuliatorius iškyla susižalojimo ir gaisro pavojus.
- Nelaikykite sąvaržėlių, monetų, raktų, vinių, varžtų ar kitokių metalinių daiktų arti ištraukto iš prietaiso akumuliatoriaus kontaktų. Už trumpinius akumuliatoriaus kontaktus galima nusidenginti ar sukelti gaisrą.
- Netinkamai naudojant akumuliatorių, iš jo gali ištekėti skystis. Venkite kontakto su šiuo skysčiu. Jei skysčio pateko ant odos, nuplaukite jį vandeniu, jei pateko į akis – nedelsdami kreipkitės į gydytoją. Akumuliatoriaus skystis gali sudirginti ar nudeginti odą.

Aptarnavimas

- Elektrinį įrankį turi remontuoti tik kvalifikuoti specialistai ir naudoti tik originalias atsargines dalis. Taip galima garantuoti, jog elektrinis įrankis išliks saugus naudoti.

Saugos nuorodos dirbantiems su akumuliatoriais kalimo prietaisais

- Visada turėkite omenyje, kad elektriniame įrankyje gali būti sąsagėlių. Neatsargiai elgiantis su kalimo prietaisu, gali netikėtai iššauti sąsagėlė ir jus sužaloti.
- Nenukreipkite elektrinio įrankio į save ar netoli esančius žmones. Netikėtai įjungus, iššauka sąsagėlė, galinti sužaloti.
- Nespauskite elektrinio įrankio jungiklio, kol tvirtai neįrėmėte įrankio į ruošinį. Jei elektrinis įrankis nėra prisilietęs prie ruošinio, sąsagėlė nuo tvirtinimo vietos gali atsokti.
- Jei sąsagėlė užstrigo elektriniame įrankyje, įrankį atjunkite nuo tinklo ar akumuliatoriaus. Jei kalimo prietaisas yra prijungtas, šalinant užstrigusią sąsagėlę gali būti netikėtai paspaudžiamas prietaiso jungiklis.
- Būkite atsargūs šalindami įstrigusią sąsagėlę. Sistemoje gali būti įtempis ir, jums bandant pašalinti kliūtį, sąsagėlė gali būti su didele energija iššaukama.
- Šio kalimo prietaiso nenaudokite elektros laidams tvirtinti. Jis nėra skirtas elektros laidų instaliacijai, gali pažeisti elektros laidų izoliaciją ir sukelti elektros smūgį bei gaisrą.
- Prieš pradėdami darbą tinkamais išskirkiais patikrinkite, ar po norimais apdirbti paviršiais nėra prarastų elektros laidų, dujų ar vandentiekio vamzdžių. Jei abejojate, galite pasikviesti į pagalbą vietinius komunalinių paslaugų teikėjus. Kontaktas su elektros laidais gali sukelti gaisro bei elektros smūgio pavojų. Pažeidus dujotiekio vamzdį, gali įvykti sprogimas. Pažeidus vandentiekio vamzdį galima pridaryti daugybę nuostolių.
- Įvertinkite darbo vietos sąlygas. Tvirtinimo elementai per palyginti plonus ruošinius gali pralsti kiurai, o kalant ruošinio kampuose ar ties briaunomis gali nuslysti ir sužaloti.
- Dirbdami elektrinį įrankį laikykite taip, kad kalant kietose ruošinio vietose ar dėl energijos tiekimo sutrikimo įvykus atarankai nebūtų pažeidžiama galva ir kūnas.

- Neardykite akumuliatoriaus. Galimas trumpojo sujungimo pavojus.



Saugokite akumuliatorių nuo karščio, pvz., taip pat ir nuo ilgo saulės spindulių poveikio, ugnies, vandens ir drėgmės. Iškyla sprogimo pavojus.

- Pažeidus akumuliatorių ar netinkamai jį naudojant, gali išsiveržti garai. Išvėdinkite patalpą, o jei atsirado negalavimų, kreipkitės į gydytoją. Šie garai gali sudirginti kvėpavimo takus.
- Akumuliatorių naudokite tik su jūsų Rapid gaminiu. Tik taip apsaugosite akumuliatorių nuo pavojingos perkrovos.
- Aštrūs daiktai, pvz., viny ar atsuktuvai, arba išorinė jėga gali pažeisti akumuliatorių. Dėl to gali įvykti vidinis trumpasis jungimas ir akumuliatorius gali sudegti, pradėti rūkti, sprogti ar perkaisti.

Gaminio ir techninių duomenų aprašas



Perskaitykite visas šias saugos nuorodas ir reikalavimus.

Jei nepaisysite žemiau pateiktų saugos nuorodų ir reikalavimų, gali trenkti elektros smūgis, kilti gaisras ir galite sunkiai susižaloti arba sužaloti kitus asmenis.

Elektrinio įrankio paskirtis

Elektrinis įrankis yra skirtas tvirtinimo darbams dengiant stogą atlikti, grebėstams tvirtinti ir lentomis apkalti, taip pat skirtas naudoti tvirtinant sienos ir stogo elementus, medinius fasadus, padėklus, medines tvoras, apsaugos nuo triukšmo sienas ir dėžes.

Leidžiama naudoti tik lentelėje „Techniniai duomenys“ nurodytus tvirtinimo elementus (vinius, sąsagėles ir kt.).

Pavaizduoti prietaiso elementai

Numeriais pažymėtus elektrinio įrankio elementus rasite šios instrukcijos puslapiuose pateiktuose paveikslėliuose.

- 1 Ruošinį tausojantis antgalis
- 2 Paleidimo saugiklis
- 3 Svirtelė šūvio kanalui atidaryti ir uždaryti
- 4 Reguliavimo ratukas gylio ribotuvui nustatyti
- 5 Jungiklis paleidimo sistemai užblokuoti
- 6 Paleidimo mygtukas
- 7 Akumuliatoriaus atblokovimo klavišas
- 8 Akumuliatorius
- 9 Rankena (izoliuotas rankenos paviršius)
- 10 Dėtuvė ruošinį tausojančiam antgaliui laikyti
- 11 Pakabinimo ant diržo kablys
- 12 Apkaba
- 13 Apkabos stūmiklis
- 14 Vnies griebtuvas
- 15 Žiotys
- 16 Vinučių juostelė*

* Pavaizduoti ar aprašyti priedai į tiekiamą standartinį komplektą neįeina. Visą papildomą įrangą rasite mūsų papildomos įrangos programoje.

Techniniai duomenys

Belaidis kabų pistoletas	BN64	BN50
Kabės		
Tipas	16 Ga kabės	18 Ga kabės
Ilgis	32-64mm	25-55mm
Skersmuo	1.6mm	1.26mm
Kampas	20°	Tiesus
Dėtvės talpa, maks.	110 vnt.	110 vnt.
Matmenys		
Aukštis	297mm	281mm
Plotis	95mm	95mm
Ilgis	329mm	321mm
Svoris*	3,16 kg	3,10 kg
Baterijos tipas	Ličio jonų	Ličio jonų
Nominalioji įtampa	18 V DC	18 V DC
Galia	2,0 Ah	2,0 Ah
Maks. šaudymo dažnis	60 šūvių per min.	60 šūvių per min.
Veikimo apimtis / visiškai įkrovus (nuolatinis naudojimas)	maždaug 500 šūvių	maždaug 500 šūvių
Krovimo laikas	50 min.	50 min.
Leistinos temperatūros		
Darbinė temperatūra °C	-20 ... +60	-20 ... +60
Įkrovimo temperatūra °C	0 ... +40	0 ... +40
Laikymo temperatūra °C	-20 ... +25	-20 ... +25

Teikiamos įrangos kartu su baterija techniniai duomenys.

Informacija apie triukšmą ir vibraciją

Triukšmo emisijos vertės nustatytos pagal EN 60745.

Pagal A skalę išmatuotas elektrinio įrankio triukšmo lygis tipiniu atveju siekia: garso slėgio lygis 92,9 dB(A); garso galios lygis 105,0 dB(A). Paklaida K=3 dB.



Dirbkite su klausos apsaugos priemonėmis!

Vibracijos bendroji vertė ah ir paklaida K nustatytos pagal EN 60745: ah < 2,725 m/s², K = 1,5 m/s².

Šioje instrukcijoje pateiktas vibracijos lygis buvo išmatuotas pagal EN 60745 normoje standartizuotą matavimo metodą, ir jį galima naudoti elektriniams įrankiams palyginti. Jis skirtas vibracijos poveikiui laikinai įvertinti.

Nurodytas vibracijos lygis atspindi pagrindinius elektrinio įrankio naudojimo atvejus. Tačiau jeigu elektrinis įrankis naudojamas kitokiais paskirčiais, su kitokia papildoma įranga arba jeigu jis nepakankamai techniškai prižiūrimas, vibracijos lygis gali kisti. Tokiu atveju vibracijos poveikis per visą darbo laikotarpį gali žymiai padidėti.

Norint tiksliai įvertinti vibracijos poveikį per tam tikrą darbo laiką, reikia atsižvelgti ir į laiką, per kurį elektrinis įrankis buvo išjungtas arba, nors ir veikė, bet nebuvo naudojamas. Tai įvertinus, vibracijos poveikis per visą darbo laiką žymiai sumažės.

Dirbančiajam nuo vibracijos poveikio apsaugoti paskirkite papildomas apsaugos priemones, pvz.: elektrinių ir darbo įrankių techninę priežiūrą, rankų šildymą, darbo eigos organizavimą.

Montavimas

Akumulatoriaus įkrovimas

- Naudokite tik techninių duomenų skyriuje nurodytus kroviklius. Tik šie krovikliai yra priderinti prie Jūsų elektriniame prietaise naudojamo ličio jonų akumulatoriaus.

Nuoroda: Akumulatorius pateikiamas iš dalies įkrautas. Kad akumulatorius veiktų visa galia, prieš pirmąjį naudojimą akumulatorių kroviklyje visiškai įkraukite.

Ličio jonų akumuliatorių galima įkrauti bet kada, eksploataavimo trukmė dėl to nesutrumpėja. Krovimo proceso nutraukimas akumulatoriui nekenkia.

Ličio jonų akumuliatoriuose esanti „Akumulatoriaus celių apsaugos sistema (ECP)“ saugo juos nuo visiškos iškrovos. Kai akumulatorius išsikrauna, apsauginis išjungiklis išjungia elektrinį įrankį: tvirtinimo elementai nebeiššaujami



DĖMESIO

Elektriniam įrankiui automatiškai išsijungus, paleidimo mygtuko nebespauskite. Priešingu atveju galite pažeisti akumulatorių.

Vadovaukitės pateiktomis nuorodomis dėl prietaiso ir akumulatoriaus šalinimo.

Akumulatoriaus išėmimas (žr. pav. A)

Akumulatoriųjų 8 yra dvi fiksavimo pakopos, kurios saugo, kad dėl intensyvaus naudojimo metu kylančių vibracijų akumulatorius neiškristų.

- Paspauskite atblokovavimo klavišą 7 (1.) ir tuo pačiu stumkite akumuliatorių pirmyn.
- Dar kartą paspauskite atblokovavimo klavišą 7 (2.) ir akumulatorių, kiek galima traukdami atgal, išimkite.

Apkabos užpildymas (žr. pav. B1–B4)



Prieš pradėdami prietaisą reguliuoti, keisti papildomą įrangą ar prieš padėdami elektrinį įrankį, užblokuokite paleidimo sistemą ir išimkite akumulatorių. Ši atsargumo priemonė apsaugos nuo netikėto elektrinio įrankio įsijungimo.

- Naudokite tik originalią Rapid papildomą įrangą (žr. „Techniniai duomenys“). Precizinės elektrinio įrankio dalys, pvz., apkaaba, žiotys ir šūvio kanalas, yra pritaikytos Rapid sąsagėlėms, vinims ir kaiščiams. Kiti gamintojai naudoja kitokios kokybės plieną ir gamina kitokių matmenų tvirtinimo elementus. Naudojant neaprobuotus tvirtinimo elementus, gali būti pažeidžiamas elektrinis įrankis ir iškilti sužalojimo pavojus. Užpildydami apkabą, elektrinį įrankį laikykite taip, kad žiotys 15 nebūtų nukreiptos nei į jūsų kūną, nei į kitą asmenį.
- Jei reikia, nuvalykite apkabos stūmiklį 13 ir įsitikinkite, kad apkaaba 12 neužteršta.
- Tinkamą vinių juostelę 16 įstumkite į apkabos 12 gale esančią T formos išpjovą.
- Įtemptą vinių griebtuvą 14 spauskite į apkabos stūmiklį 13 ir tuo pačiu metu traukite apkabos stūmiklį iki apkabos 12 galo.

Nuoroda: apkabos stūmiklio blokatorius saugo, kad nebūtų jungiamas elektrinis įrankis su tuščia apkaba. Tada negalima įspausti paleidimo saugiklio ir taip apsaugoma nuo tuščių šūvių

- Apkabos stūmiklį 13 su paspaustu vinies griebtuvu 14 atsargiai stumkite pirmyn, kol vinies griebtuvą užstumsite ant paskutinės vinies, ir vinių juosteles apkaboje kiek galima nustumkite į priekį.

Nuoroda: apkabos stūmiklio neatleiskite, kad jis staiga neatšoktų atgal. Priešingu atveju apkabos stūmiklis gali būti pažeidžiamas, taip pat iškyla pirštų prispaudimo pavojus.

Naudojimas

Paleidimo sistema

Kalimas po vieną su apsauga

Nustačius šią paleidimo sistemą, pirmiausia į ruošinį reikia tvirtai įremti paleidimo saugiklį 2. Tvirtinimo elementas iššaukiamas tik tada, kai paspaudžiamas paleidimo mygtukas 6.

Kitą kalimo operaciją galima atlikti tik tada, kai paleidimo mygtukas ir paleidimo saugiklis vėl atstatomi į pradinę padėtį.

Paruošimas darbui



Prieš pradėdami prietaisą reguliuoti, keisti papildomą įrangą ar prieš padėdami elektrinį įrankį, užblokuokite paleidimo sistemą ir išimkite akumuliatorių. Ši atsargumo priemonė apsaugos nuo netikėto elektrinio įrankio įsijungimo.

Akumulatoriaus įdėjimas

- Naudokite tik originalius Rapid ličio jonų akumulatorius, kurių įtampa atitinka Jūsų elektrinio prietaiso firminėje lentelėje nurodytą įtampą. Naudojant kitokius akumulatorius iškyla pavojus susižeisti arba sukelti gaisrą.
- Įstatykite įkrautą akumuliatorių 8 į rankeną ir įstumkite, kol jis juntamai užsifiksuos ir nebebus išsikišęs iš rankenos.

Vinių iššovimas (žr. pav. C)

- Žiotis 15 ar guma dengtą ruošinį tausojančią dalį 1 tvirtai pridėkite prie ruošinio, kad paleidimo saugiklis 2 visiškai įsispaustų.
- Tada trumpai paspauskite paleidimo mygtuką 6 ir vėl jį atleiskite. Tuo metu iššaukiamas vinis.
- Elektriniam įrankiui leiskite atšokti nuo ruošinio.
- Norėdami atlikti kitą kalimo operaciją, elektrinį įrankį visiškai atitraukite nuo ruošinio ir vėl tvirtai įremkite kitoje pageidaujamoje vietoje

Paleidimo sistemos užblokavimas

Prieš pradėdami prietaisą reguliuoti, keisti papildomą įrangą, prieš padėdami elektrinį įrankį, kai norite padaryti darbo pertrauką ar baigti darbą, užblokuokite paleidimo sistemą.

Darbo patarimai



Prieš pradėdami prietaisą reguliuoti, keisti papildomą įrangą ar prieš padėdami elektrinį įrankį, užblokuokite paleidimo sistemą ir išimkite akumuliatorių.

Ši atsargumo priemonė apsaugos nuo netikėto elektrinio įrankio įsijungimo.

Kaskart prieš pradėdami dirbti patikrinkite, ar nepriekaištingai veikia apsauginiai ir paleidimo įtaisai, ar tvirtai įsukti varžtai ir užveržtos veržlės.

Pažeistą ar netinkamai veikiančią elektrinį įrankį nedelsdami atjunkite nuo energijos tiekimo sistemos ir susisiekite su įgaliota Rapid klientų aptarnavimo tarnyba.

Neatlikite jokių neleistinų elektrinio įrankio pakeitimų. Neišmontuokite ir neužblokuokite jokių elektrinio įrankio dalių, pvz., paleidimo saugiklio.

Neatlikite „avarinio remonto“ darbų netinkamomis darbo priemonėmis. Kvalifikuoti specialistai reguliariai turi atlikti elektrinio įrankio techninės priežiūros darbus (žr. „Techninė priežiūra ir valymas“).

Nepakenkite elektriniam įrankiui ir nepažeiskite jo, pvz.:

- įpresuodami ar išgraviruodami,
- atlikę gamintojo draudžiamus permontavimo darbus,
- vesdami įrankį per šabloną, pagamintą iš kietos medžiagos, pvz., plieno,
- numetę ant grindų ar stumdami per grindis,
- naudodami kaip smūginį įrankį,
- naudodami bet kokią jėgą.

Patikrinkite, kas yra po ruošiniu ir už jo. Nešaukite vinių į sieną, lubas ar grindis, jei už jų yra žmonių. Vynys gali pralįsti per ruošinį ir ką nors sužaloti.

Nešaukite vinies ant jau iššautos vinies. Priešingu atveju, vinis gali deformuotis, vynys gali užstrigti arba galite prarasti elektrinio įrankio kontrolę.

Jei elektrinis įrankis naudojamas esant šaltam orui, pirmosios vynys iššaukiamos lėčiau nei įprastai. Kai elektrinis įrankis darbo metu įšyla, galima dirbti normaliu darbo greičiu.

Daužiklio nusidėvėjimą sumažinsite, jei vengsite tuščių šūvių.

Prieš ilgesnes darbo pertraukas ar baigę darbą, užblokuokite paleidimo sistemą ir, jei yra galimybė, ištuštinkite apkabą.

Apkabos ištuštinimas (žr. pav. D1–D2)

- Apkabos stūmiklį 13 su paspaustu vinies griebtuvu 14 traukite atgal, kol vinies griebtuvą atitrauksite nuo paskutinės vinies, ir apkabos stūmiklį atsargiai stumkite pirmyn iki apkabos 12 pradžios.

Nuoroda: apkabos stūmiklio neatleiskite, kad jis staiga neatšoktų atgal. Priešingu atveju apkabos stūmiklis gali būti pažeidžiamas, taip pat iškyla pirštų prispaudimo pavojus.

Gylio ribotuvo nustatymas (žr. pav. E)

Vinių įkalimo gylį galima nustatyti reguliavimo ratuku 4.

- Ištuštinkite apkabą 12. (žr. „Apkabos ištuštinimas“)
- **Vinys įkalamas per giliai:**
norėdami sumažinti įkalimo gylį, sukite reguliavimo ratuką 4 prieš laikrodžio rodyklę.
arba
- **Vinys įkalamas nepakankamai giliai:**
norėdami padidinti įkalimo gylį, sukite reguliavimo ratuką 4 pagal laikrodžio rodyklę.
- Vėl užpildykite apkabą. (žr. „Apkabos užpildymas“)
- Ant bandomojo ruošinio patikrinkite įkalimo gylį. Jei reikia, darbo žingsnius pakartokite.

Užstrigusių tvirtinimo elementų pašalinimas

(žr. pav. F1–F2)

Pavienės vinys šūvio kanale gali užstrigti. Jei taip atsitinka dažnai, susisiekite su įgaliota Rapid klientų aptarnavimo tarnyba.

Nuoroda: jei pašalinus įstrigusį tvirtinimo elementą daužiklis negrįžta atgal, susisiekite su įgaliota Rapid klientų aptarnavimo tarnyba.

- Atleiskite paleidimo mygtuką 6.
- Užblokuokite paleidimo sistemą (žr. „Paleidimo sistemos užblokavimas“) ir išimkite akumuliatorių 8.
- Ištuštinkite apkabą 12. (žr. „Apkabos ištuštinimas“)
- Spauskite įveržimo svirtelę 3, kad būtų galima atidaryti šūvio kanalą.
- Pašalinkite įstrigusią vinį. Jei reikia, naudokite reples.
- Uždarykite šūvio kanalą, svirtelės 3 lankelį įstatykite į kablį, esančius ant šūvio kanalo, ir svirtelę vėl pakelkite aukščiau.
- Vėl užpildykite apkabą. (žr. „Apkabos užpildymas“)

Ruošinių tausojančio antgalio keitimas (žr. pav. G)

Ruošinių tausojančias antgalis 1 ant paleidimo saugiklio 2 galo saugo ruošinį, elektrinį įrankį įremiant į tinkamą kalimo padėtį.

Ruošinių tausojančią antgalį galima nuimti ir pakeisti.

- Ruošinių tausojančią antgalį nuimkite nuo paleidimo saugiklio.
- Naują ruošinių tausojančią antgalį atviroju galu uždėkite ant paleidimo saugiklio.

Nuoroda: atsarginį ruošinių tausojančią antgalį galima laikyti viršutinėje apkabos 12 pusėje. Tuo tikslu ruošinių tausojančią antgalį įstumkite į dėtuve 10.

Transportavimas ir sandėliavimas

Norėdami elektrinį įrankį transportuoti, užblokuokite paleidimo sistemą (žr. „Paleidimo sistemos užblokavimas“), o ypač tada, jei naudojotės kopėčiomis ar esate priversti judėti būdami neįprastoje kūno padėtyje.

Darbo vietoje elektrinį įrankį laikykite tik už rankenos 9, o paleidimo mygtukas 6 turi būti nepaspaustas.

Elektrinį įrankį, išėmę iš jo akumuliatorių, visada sandėliuokite sausoje ir šiltoje vietoje.

Jei elektrinis įrankis ilgą laiką nebus naudojamas, plienines įrankio dalis padenkite plonu alyvos sluoksniu. Tai apsaugos nuo rūdžių.

Priežiūra ir servisas

Techninė priežiūra ir valymas



Prieš pradėdami prietaisą reguliuoti, keisti papildomą įrangą ar prieš padėdami elektrinį įrankį, užblokuokite paleidimo sistemą ir išimkite akumuliatorių.

Ši atsargumo priemonė apsaugos nuo netikėto elektrinio įrankio įsijungimo.

- Reguliariai valykite elektrinį įrankį ir ventiliacines angas jo korpusu, tuomet galėsite dirbti kokybiškai ir saugiai

Techninės priežiūros planas

Išvalykite apkabą 12. Pašalinkite plastiko ir medienos drožles, kurios gali susikaupti apkabėje darbo metu.

Elektrinį įrankį reguliariai valykite suslėgtu oru.

Transportavimas

Kartu pateikiamų ličio jonų akumuliatorių gabenimui taikomos pavojingų krovinių gabenimą reglamentuojančių įstatymų nuostatos. Naudotojai akumuliatorius gabenti keliais leidžiama be jokių apribojimų.

Jei siunčiant pasitelkiami tretieji asmenys (pvz., oro transportas, ekspedijavimo įmone), būtina atsižvelgti į pakuoteiir ženklinius taikomus ypatingus reikalavimus. Būtina, kad rengiant siuntą dalyvaautų pavojingų krovinių gabenimospecialistas.

Siųskite tik tokius akumuliatorius, kurių nepažeistas korpusas. Aplikuokite kontaktus ir supakuokite akumuliatorių taip, kad jis pakuotėje nejudėtų.

Taip pat laikykitės ir esamų papildomų nacionalinių taisyklių.

Šalinimas



Elektriniai įrankiai, akumuliatoriai, papildoma įrangą ir pakuotės turi būti ekologiškai utilizuojami.

Elektrinių įrankių, kroviklių, akumuliatorių ir baterijų nemeskite į buitinių atliekų konteinerius!

Tik ES šalis:



Pagal Europos direktyvą 2012/19/ES, naudoti nebetinkami elektriniai įrankiai ir, pagal Europos direktyvą 2006/66/EB, pažeisti ir išiekvoti akumuliatoriai bei baterijos turi būti surenkami atskirai ir perdirbami aplinkai nekenksmingu būdu.

Türkçe

Güvenlik Talimatı

Elektrikli El Aletleri İçin Genel Uyarı Talimatı



UYARI

Bütün uyarıları ve talimat hükümlerini okuyun. Açıklanan uyarılara ve talimat hükümlerine uyulmadığı takdirde elektrik çarpmalarına, yangınlara ve/veya ağır yaralanmalara neden olabilir.

Bütün uyarıları ve talimat hükümlerini ileride kullanmak üzere saklayın.

Uyarı ve talimat hükümlerinde kullanılan "Elektrikli El Aleti" kavramı, akım şebekesine bağlı (şebeke bağlantı kablosu ile) aletlerle aktü ile çalışan aletleri (akım şebekesine bağlantısı olmayan aletler) kapsamaktadır.

Çalışma yeri güvenliği

- Çalıştığınız yeri temiz tutun ve iyi aydınlatın. Çalıştığınız yer düzensiz ise ve iyi aydınlatılmamışsa kazalar ortaya çıkabilir.
- Yakınında patlayıcı maddeler, yanıcı sıvı, gaz veya tozların bulunduğu yerlerde elektrikli el aleti ile çalışmayın. Elektrikli el aletleri, toz veya buharların tutuşmasına neden olabilecek kıvılcımlar çıkarırlar.
- Elektrikli el aleti ile çalışırken çocukları ve başkalarını uzaktan tutun. Dikkatiniz dağılacak olursa aletin kontrolünü kaybedebilirsiniz.

Elektrik Güvenliği

- Elektrikli el aletinin bağlantı fişi prize uymalıdır. Fişi hiçbir zaman değiştirmeyin. Korumacı topraklanmış elektrikli el aletleri ile birlikte adaptör fiş kullanmayın. Değiştirilmemiş fiş ve uygun priz elektrik çarpması tehlikesini azaltır.
- Borular, kalorifer petekleri, ısıtıcılar ve buzdolapları gibi topraklanmış yüzeylerle bedensel temasa gelmekten kaçınınız. Bedeniniz topraklandığı anda büyük bir elektrik çarpması tehlikesi ortaya çıkar.
- Aleti yağmur altında veya nemli ortamlarda bırakmayın. Suyun elektrikli el aleti içine sızması elektrik çarpması tehlikesini artırır.
- Elektrikli el aletini kablodan tutarak taşımayın, kablolu kullanarak asmayın veya kablodan çekerek fişi çıkarmayın. Kablolu ısıdan, yağdan, keskin kenarlı cisimlerden veya aletin hareketli parçalarından uzak tutun. Hasarlı veya dolaşmış kablo elektrik çarpması tehlikesini artırır.
- Bir elektrikli el aleti ile açık havada çalışırken, mutlaka açık havada kullanılmaya uygun uzatma kablosu kullanın. Açık havada kullanılmaya uygun uzatma kablosunun kullanılması elektrik çarpması tehlikesini azaltır.
- Elektrikli el aletinin nemli ortamlarda çalıştırılması şartsa, mutlaka arıza akımı koruma şalteri kullanın. Arıza akımı koruma şalterinin kullanımı elektrik çarpması tehlikesini azaltır.

Kişilerin Güvenliği

- Dikkatli olun, ne yaptığınıza dikkat edin, elektrikli el aleti işinizi makul bir tempo ve yöntemle yürütün. Yorgunsanız, aldığınız hapları, ilaçları veya alkolün etkisinde iseniz

elektrikli el aletini kullanmayın. Aleti kullanırken bir anki dikkatsizlik önemli yaralanmalara neden olabilir.

- Daima kişisel koruyucu donanım ve bir koruyucu gözlük kullanın. Elektrikli el aletinin türü ve kullanımına uygun olarak; toz maskesi, kaymayan iş ayakkabıları, koruyucu kask veya koruyucu kulaklık gibi koruyucu donanım kullanımı yaralanma tehlikesini azaltır.
- Aleti yanlışlıkla çalıştırmaktan kaçınınız. Akım ikmal şebekesine ve/veya aküye bağlamadan, elinize alıp taşımadan önce elektrikli el aletinin kapalı olduğundan emin olun. Elektrikli el aletini parmağınız şalter üzerinde dururken taşırırsanız ve alet açıkken fişi prize sokarsanız kazalara neden olabilirsiniz.
- Elektrikli el aletini çalıştırmadan önce ayar aletlerini veya anahtarları aletten çıkarın. Aletin dönen parçaları içinde bulunabilecek bir yardımcı alet yaralanmalara neden olabilir.
- Çalışırken bedeniniz anormal duruma olmasın. Çalışırken duruşunuz güvenli olsun ve dengeyi her zaman koruyun. Bu sayede aleti beklenmedik durumlarda daha iyi kontrol edebilirsiniz.
- Uygun iş elbiseleri giyin. Geniş giysiler giymeyin ve takı takmayın. Saçlarınızı, giysilerinizi ve eldivenlerinizi aletin hareketli parçalarından uzak tutun. Bol giysiler, uzun saçlar veya takılar aletin hareketli parçaları tarafından tutulabilir.
- Toz emme donanımı veya toz tutma tertibatı kullanırken, bunların bağlı olduğundan ve doğru kullanıldığından emin olun. Toz emme donanımının kullanımı tozdan kaynaklanabilecek tehlikeleri azaltır.

Elektrikli el aletlerinin özenle kullanımı ve bakımı

- Aleti aşırı ölçüde zorlamayın. Yaptığınız işe uygun elektrikli el aletleri kullanın. Uygun performanslı elektrikli el aleti ile, belirlenen çalışma alanında daha iyi ve güvenli çalışırsınız.
- Şalteri bozuk olan elektrikli el aletini kullanmayın. Açılıp kapanamayan bir elektrikli el aleti tehlikelidir ve onarılmalıdır.
- Alette bir ayarlama işlemine başlamadan ve/veya aküyü çıkarmadan önce, herhangi bir aksesuar değiştiren veya aleti elinizden bırakırken fişi prizden çekin. Bu önlem, elektrikli el aletinin yanlışlıkla çalışmasını önler.
- Kullanım dışı duran elektrikli el aletlerini çocukların ulaşamayacağı bir yerde saklayın. Aleti kullanmayı bilmeyen veya bu kullanım kılavuzunu okumayan kişilerin aletle çalışmasına izin vermeyin. Deneyimsiz kişiler tarafından kullanıldığında elektrikli el aletleri tehlikelidir.
- Elektrikli el aletinizin bakımını özenle yapın. Elektrikli el aletinizin kusursuz olarak işlev görmesini engelleyebilecek bir durum olup olmadığını, hareketli parçaların kusursuz olarak işlev görüp görmediğini ve sıkıştırmadıklarını, parçaların hasarlı olup olmadığını kontrol edin. Aleti kullanmaya başlamadan önce hasarlı parçaları onartın. Birçok iş kazası elektrikli el aletlerinin kötü bakımından kaynaklanır.
- Kesici uçları daima keskin ve temiz tutun. Özenle bakım yapılmış keskin kenarlı kesme uçlarının malzeme içinde sıkışma tehlikesi daha azdır ve daha rahat kullanım olanağı sağlarlar.
- Elektrikli el aletini, aksesuar, uçları ve benzerlerini, bu özel tip alet için öngörülen talimata göre kullanın. Bu sırada çalışma koşullarını ve yaptığınız işi dikkate alın. Elektrikli el aletlerinin kendileri için öngörülen alanın dışında kullanılması tehlikeli durumlara neden olabilir.

Aküü aletlerin özenli bakımı ve kullanımı

- Aküü sadece üreticinin tavsiye ettiđi řarj cihazı ile řarj edin. Bir akünün řarjına uygun olarak üretilmiř řarj cihazı bařka bir akünün řarjı için kullanılırsa yangın tehlikesi ortaya çıkar.
- Sadece ilgili elektrikli el aleti için öngörülen aküleri kullanın. Bařka akülerin kullanımı yaralanmalara ve yangınlara neden olabilir.
- Kullanılmayan aküü büro ataçları, madeni bozuk paralar, anahtarlar, çiviler, vidalar veya metal nesnelere uzak tutun. Bunlar köprüleme yaparak kontaklara neden olabilir. Akü kontaktları arasındaki bir kısa devre yanmalara veya yangınlara neden olabilir.
- Yanlıř kullanımda aküden sıvı dıřarı sızabilir. Bu sıvı ile temasa gelmeyin. Yanlıřlıkla temasa gelerseniz su ile iyice yıkayın. Eđer sıvı gözlerinize gelecek olursa hemen bir hekime bařvurun. Dıřarı sıvan akü sıvısı cilt tahriřlerine ve yanmalara neden olabilir.

Servis

- Elektrikli el aletinizi sadece yetkili personele ve orijinal yedek parça kullanma kořulu ile onartın. Bu sayede aletin güvenciliđini sürekli hale getirirsiniz.

Aküü çakma aletleri için güvenlik talimatı

- Elektrikli el aletinin kanca çerebileceđini hiçbir zaman unutmayın. Çakma aletinin dikkatsiz kullanımı beklenmeyen anlarda kancaların atılmasına ve yaralanmanıza neden olabilir.
- Elektrikli el aleti ile kendinizi veya yakınızdaki kiřileri hedeflemeyin. Beklenmeyen tetikleme sonucu bir kanca atılabilir ve yaralanmalar olabilir.
- İř parçası üzerine sıkıca yerleřtirmeden önce elektrikli el aletini çalıřtırmayın. Elektrikli el aleti iř parçası ile temas halinde olmazsa kanca tespit yerinden fırlayabilir.
- Kancalar elektrikli el aleti içinde sıkıřacak olursa, aleti akım řebekesinden veya aküden ayırın. Çakma aleti akım řebekesine veya aküye bađlı olursa, sıkıřan bir kancanın çarılması esnasında yanlıřlıkla tetiklenebilir.
- Sıkıřan bir kancayı çıkarırken dikkatli olun. Sistem gergin olabilir ve siz sıkıřmayı gidermek isterken kanca güçlü bir biçimde dıřarı atılabilir.
- Bu çakma aletini elektrik kablolarını tespit etmek için kullanmayın. Bu alet elektrik kablolarının döřenmesine uygun deđildir; elektrik kablolarının izolasyonuna hasar verebilir ve elektrik çarpması veya yangınlara neden olabilir.
- Görünmeyen řebeke hatlarını belirlemek için uygun tarama cihazları kullanın veya mahalli ikmal řirketinden yardım alın. Elektrik kablolarıyla kontak yangına veya elektrik çarpmasına neden olabilir. Bir gaz borusunun hasara uğraması patlamalara neden olabilir. Su borularına giriř maddi zarara yol açabilir.
- Çalıřma yerinizdeki kořullara dikkat edin. Çakma malzemesi ince iř parçalarını delip geçebilir veya iř parçalarının köře ve kenarlarında çalıřırken kayabilir ve çevrede bulunan kiřiler için tehlike oluşturabilir.
- Çalıřırken elektrikli el aletini elektriklerin kesilmesi halinde veya iř parçasında sert bir yere rastlandığında ortaya çıkabilecek bir geri tepmede sonucunda bař ve bedeninizde yaralanma olmayacak biçimde tutun.
- Aküü açmayın. Kısa devre tehlikesi vardır.



Aküü aşın ölçüde ısınmaya karřı; örneđin sürekli güneř ışınına karřı ve ayrıca, ateře, suya ve neme karřı koruyun. Patlama tehlikesi vardır.

- Hasar gördüklerinde veya usulüne uygun kullanılmadıklarında aküler buhar çıkarabilir. Çalıřtığınız yeri havalandırın ve řikayet olursa hekime bařvurun. Akülerden çıkan buharlar nefes yollarını tahriř edebilir.
- Aküü sadece Rapid ürününüzle kullanın. Aküü ancak bu řekilde tehlikeli zorlanmalardan koruyabilirsiniz.
- Çivi veya tornavida gibi sivri nesnelere veya dıř etkilere nedeniyle akü hasar görebilir. Akü içinde bir kısa devre oluşabilir ve akü yanabilir, duman çıkarabilir, patlayabilir veya aşın ölçüde ısınabilir.

Ürün ve iřlev tanımı



Bütün uyarıları ve talimat hükümlerini okuyun.

Açıklanan uyarılara ve talimat hükümlerine uyulmadığı takdirde elektrik çarpmalarına, yangınlara ve/veya ağır yaralanmalara neden olunabilir.

Usulüne uygun kullanım

Bu elektrikli el aleti; çatı kaplamacılıđında, kalıpcılık ve sandıkçılıklarınde, duvar ve tavan elemanlarının üretiminde, ahřap cephelerde, levhalarda, plakalarda, ahřap çit ve parmaklıklarda, ses yalıtıcı duvarlarda ve ambalajlama iřlerindeki bađlantı iřlemlerinde kullanılmak için tasarlanmıřtır.

Bu aletle sadece "Teknik veriler" tablosunda belirtilen çakma malzemesi (çivi, kanca vb.) kullanılabilir.

řekli gösterilen elemanlar

řekli gösterilen elemanların numaraları grafik sayfasındaki elektrikli el aleti resmindeki numaralarla aynıdır.

- 1 İř parçası koruyucu
- 2 Tetikleme emniyeti
- 3 Atma kanalı açma/kapama germe kolu
- 4 Derinlik mesnedi ayar düđmesi
- 5 Tetikleme sistemi kilitleme řalteri
- 6 Tetik
- 7 Akü bořa alma düđmesi
- 8 Akü
- 9 Tutamak (izolasyonlu tutamak yüzeyi)
- 10 İř parçası koruyucusu saklama deposu
- 11 Kemer kancası
- 12 Magazin
- 13 Magazin sürgüsü
- 14 Çivi sürücü
- 15 Ağız
- 16 Çivi řeridi*

* řekli gösterilen veya tanımlanan aksesuar standart teslimat kapsamında deđildir. Aksesuarın tümünü aksesuar programımızda bulabilirsiniz.

Teknik veriler

Kablosuz Başsız Çivi Tabancası	BN64	BN50
Raptiye		
Tip	16 Ga maşa	18 Ga maşa
Uzunluk	32-64mm	25-55mm
Çap	1.6mm	1.26mm
Açı	20°	Düz
Kartuş kapasitesi, maks	110 parça	110 parça
Boyutlar		
Yükseklik	297mm	281mm
Genişlik	95mm	95mm
Uzunluk	329mm	321mm
Ağırlık*	3,16 kg	3,10 kg
Pil tipi	Li-Iyon	Li-Iyon
Anma gerilimi	18 V DC	18 V DC
Kapasite	2,0 Ah*	2,0 Ah*
Maks. çivileme hızı	60 atış/dak.	60 atış/dak.
Çalışma kapasitesi/tam şarj (sürekli çalıştırma)	yaklaşık. 500 atış	yaklaşık. 500 atış
Yeniden şarj süresi	50 dak	50 dak
İzin verilen sıcaklıklar		
Çalışma sıcaklığı °C	-20 ... +60	-20 ... +60
Şarj sıcaklığı °C	0 ... +40	0 ... +40
Saklama sıcaklığı °C	-20 ... +25	-20 ... +25

Teslimat kapsamında pille belirlenen teknik veriler.

* İstenilirse 3.0 Ah pil ayrıca bulunmaktadır.

Gürültü/Titreşim bilgisi

Gürültü emisyon değerleri EN 60745 uyarınca belirlenmektedir.

Aletin A olarak değerlendirilen gürültü seviyesi tipik olarak şöyledir: Ses basıncı seviyesi 92,9 dB(A); gürültü emisyonu seviyesi 105,0 dB(A). Tolerans K=3 dB.



Koruyucu kulaklık kullanın!

Toplam titreşim değerleri ah ve tolerans K, EN 60745 uyarınca: $a_{hv} < 2,725 m/s^2$, $K=1,5 m/s^2$.

Bu talimatta belirtilen titreşim seviyesi EN 60745'e göre normlandırılmış bir ölçme yöntemi ile tespit edilmiştir ve havali aletlerin karşılaştırılmasında kullanılabilir. Bu değer geçici olarak titreşim seviyesinin tahmin edilmesine uygundur.

Belirtilen titreşim seviyesi elektrikli el aletinin temel kullanım alanlarını temsil eder. Ancak elektrikli el aleti başka kullanım alanlarında, farklı aksesuarla, farklı uçlarla kullanılırken veya yetersiz bakımla kullanılırken, titreşim seviyesi belirtilen değerden farklı olabilir. Bu da toplam çalışma süresi içindeki titreşim yükünü önemli ölçüde artırabilir.

Titreşim yükünü tam olarak tahmin edebilmek için aletin kapalı olduğu veya çalıştığı halde kullanılmadığı süreler de dikkate alınmalıdır. Bu, toplam çalışma süresi içindeki titreşim yükünü önemli ölçüde azaltabilir.

Titreşimin kullanıcıya bindirdiği yük için önceden ek güvenlik önlemleri alın. Örneğin: Elektrikli el aletinin ve uçların bakımı, ellerin sıcak tutulması, iş aşamalarının organize edilmesi.

Montaj

Akünün şarjı

- Sadece teknik veriler bölümünde belirtilen şarj cihazlarını kullanın. Sadece bu şarj cihazları elektrikli el aletinizde kullanılan lityum iyon akülere uygundur.

Not: Akü kısmı şarjlı olarak teslim edilir. Aküden tam performans elde edebilmek için ilk kullanımdan önce aküyü şarj cihazında tam olarak şarj edin.

Li-Ion aküler kullanım ömürleri kısaltmadan istendiği zaman şarj edilebilir. Şarj işleminin kesilmesi aküye zarar vermez

Protection (ECP)* sistemi ile emniyete alınmıştır. Akü boşaldığında elektrikli el aleti koruyucu bir devre üzerinden kapatılır. Artık hiçbir çakma malzemesi atılmaz



DIKKAT

Elektrikli el aleti otomatik olarak kapatıldıktan sonra artık tetik üzerine basmaya devam etmeyin. Aksi takdirde akü hasar görebilir.

Tasfiye konusundaki talimat hükümlerine uyun.

Akünün çıkarılması (Bakınız: Şekil A)

Akünün Der Akku 8 iki kilitleme kademesi vardır, bunlar yoğun kullanım durumlarında titreşimler sonucu akünün düşmesini önler.

- Boşa alma düğmesi 7 (1.) üzerine basın ve aynı anda aküyü öne doğru itin.
- Bir kez daha boşa alma düğmesine 7 (2.) basın ve aküyü alttan çekerek tam olarak çıkarın.

Magazinin doldurulması (Bakınız: Şekiller B1–B4)



Aletin kendinde bir ayarlama yapmadan, aksesuar parçası değiştirmeden veya işiniz bitip elektrikli el aletinin elinizden bırakmadan önce tetikleme sistemini kilitleyin ve aküyü çıkarın. Bu önlem sayesinde elektrikli el aletinin istenmeden çalışmasını önlersiniz

- Sadece orijinal Rapid aksesuarı kullanın (Bakınız: "Teknik veriler"). Elektrikli el aletinin magazin, ağız ve atma kanalı gibi hassas parçaları Rapid kancaları, çivileri ve pimlerine göre tasarlanmıştır. Başka üreticiler başka çelik kalitesi ve ölçüler kullanır.

İzin verilmeyen çakma malzemesinin kullanılması elektrikli el aletine hasar verebilir ve yaralanmalara neden olabilir.

Magazine çakma malzemesi doldururken elektrikli el aletini ağız 15 ne kendi bedeninize ne de başkalarına doğrultulmayacak biçimde tutun.

- Gerektiğinde magazin sürgüsünü 13 temizleyin ve magazin 12 kirlenmemesini sağlayın.
- Uygun bir çivi şeridini 16 magazin sonundaki 12 T oluğa itin.
- Gergin durumdaki çivi sürücüyü 14 magazin sürgüsüne 13 doğru itin ve aynı anda çalışma sürgüsünü magazin 12 sonuna kadar çekin.

Not: Magazın sürgüsü fazla kuvvet gerektirmeden (sadece parmak gücüyle) geri itilebilmelidir. Zor hareket eden magazın sürgüsü çivinin yanlış açıda atılmasına neden olur

- Magazın sürgüsünü 13 çivi sürücü 14 basılı durumda iken dikkatlice çivi sürücü son çivi üzerine gelinceye kadar öne itin ve bu yolla çivi şeridini magazın içinde sonuna kadar öne itin.

Not: Magazın sürgüsünü kontrolsüz biçimde geri getirmeyin. Magazın sürgüsü hasar görebilir ve parmaklarınızın sıkışma tehlikesi ortaya çıkar.

İşletim

Tetikleme sistemi

Emniyetli tekil tetikleme

Bu tetikleme sisteminde önce tetikleme emniyeti 2 iş parçası üzerine sıkıca dayanmalıdır. Bir çakma malzemesi ancak tetiğe 6 basıldığında atılır.

Daha sonraki çakma işlemleri ancak tetik ve tetikleme emniyeti başlangıç konumuna getirildikten sonra yapılabilir.

İşletime alma



Aletin kendinde bir ayarlama yapmadan, aksesuar parçası değiştirmeden veya işiniz bitip elektrikli el aletini elinizden bırakmadan önce tetikleme sistemini kilitleyin ve aküyü çıkarın. Bu önlem sayesinde elektrikli el aletinin istenmeden çalışmasını önlersiniz.

Akünün yerleştirilmesi

- Sadece elektrikli el aletinizin tip etiketinde belirtilen gerilime sahip orijinal Li-Ion aküler kullanın. Başka akülerin kullanılması yaralanmalara ve yangınlara neden olabilir.
- Şarj edilmiş aküyü 8 hissedilir biçimde kavrama yapmaya ve tutamakla aynı hizaya gelinceye kadar tutamağı itin.

Çivilerin atılması (Bakınız: Şekil C)

- Ağız 15 veya lastik kaplamalı iş parçası koruyucusunu 1 tetikleme emniyeti 2 tam olarak içe bastırılıncaya kadar iş parçasına sıkıca dayayın.
- Daha sonra tetiğe 6 kısaca basın ve bırakın. Bu yolla bir çivi atılır.
- Elektrikli el aletinin iş parçası tarafından geri itilmesini sağlayın.
- Bir sonraki çakma işlemi için elektrikli el aletini tam olarak iş parçası üzerinden kaldırın ve çakma yapacağınız yere yerleştirin.

Tetikleme sisteminin kilitlemesi

Aletin kendinde ayarlama yapmadan, aksesuar parçası değiştirmeden, uzun süre kullanmamak üzere elektrikli el aletini elinizden bırakmadan önce veya işiniz bittiğinde tetikleme sistemini kilitleyin.

Çalışırken dikkat edilecek hususlar



Aletin kendinde bir ayarlama yapmadan, aksesuar parçası değiştirmeden veya işiniz bitip elektrikli el aletini elinizden bırakmadan önce tetikleme sistemini kilitleyin ve aküyü çıkarın. Bu önlem sayesinde elektrikli el aletinin istenmeden çalışmasını önlersiniz.

İşe başlamadan önce her defasında güvenlik ve tetikleme sistemlerinin kusursuz olarak işlev görüp görmediklerini ve bütün vida ve somunların sıkılı olup olmadığını kontrol edin.

Hasarlı veya tam işlev görmeyen elektrikli el aletini hemen enerji besleme kaynağından ayırın ve yetkili Rapid servisine başvurun.

Elektrikli el aletinde izin verilmeyen değişiklikler yapmayın. Örneğin tetikleme sistemi gibi elektrikli aletinin herhangi bir parçasını sökme veya bloke etmeyin.

Uygun olmayan araçlarla “acil onarım” yapmayın. Elektrikli el aletinin düzenli ve usulüne uygun bakım görmesini sağlayın (Bakınız: “Bakım ve temizlik”).

Örneğin aşağıdaki işlemlerle elektrikli aletinin zayıflamasına veya hasar görmesine neden olmayın:

- Çakma veya kazıma,
- Üreticinin izin vermediği değişiklikler,
- Örneğin çelik gibi sert malzemeden yapıma şablonlar kullanma,
- Zemine atma veya zeminde sürüklenme,
- Çekiç olarak kullanma,
- Her türlü zor kullanma.

İş parçanız altında veya arkasında ne olduğuna dikkat edin. Arkasında kişilerin bulunduğu duvar, tavan veya zeminlere çivi çakmayın. Çiviler iş parçasını delip geçebilir ve başkalarını yaralayabilir.

Çakılmış bir çivi üzerine bir çivi daha atmayın. Çivi deforme olabilir, çiviler birine girebilir veya elektrikli el aleti kontrol dışı hareket edebilir.

Elektrikli el aleti soğuk ortamlarda kullanılırken ilk çivi olduğundan daha yavaş çakılır. Çalışma esnasında elektrikli el aleti ısınca normal iş temposuna dönülür.

Darbeleme parçasının aşınmaması için boş atışlar yapmayın.

İşe uzun süre ara verdiğinizde veya işiniz bittiğinde tetikleme sistemini kilitleyin ve mümkünse magazını boşaltın.

Magazının boşaltılması (Bakınız: Şekiller D1–D2)

- Magazın sürgüsünü 13 çivi sürücü 14 basılı durumda iken çivi sürücü son çiviye serbest bırakıncaya kadar arkaya çekin ve sonra magazın sürgüsünü magazının 12 başlangıcına kadar dikkatlice öne getirin

Not: Magazın sürgüsünü kontrolsüz biçimde geri getirmeyin. Magazın sürgüsü hasar görebilir ve parmaklarınızın sıkışma tehlikesi ortaya çıkar.

Derinlik mesnedinin ayarlanması (Bakınız: Şekil E)

Çivilerin çakılma derinliği ayar düğmesi 4 ile ayarlanabilir.

- Magazini 12 boşaltın. (Bakınız: “Magazinin boşaltılması”)
- **Çiviler çok derin çakıldığında:**
Çakma derinliğini azaltma için ayar düğmesini 4 hareket yönünün tersine çevirin.
Veya
- **Çiviler yeterince derine çakılmadığında:**
Çakma derinliğini artırmak için ayar düğmesini 4 saat hareket yönünde çevirin.
- Magazini tekrar doldurun. (Bakınız: “Magazinin doldurulması”)
- Yeni çakma derinliğini bir deneme parçasında kontrol edin. Gerekirse işlem adımlarını tekrarlayın.

Sıkışmaların çözülmesi (Bakınız: Şekiller F1–F2)

Tek tek çiviler atma kanalı içinde sıkışabilir. Bu sıkışma sık sık olursa yetkili bir Rapid servisine başvurun.

Not: Darbeleme parçası sıkışma giderildikten sonra geri gelmiyorsa, yetkili bir Rapid servisine başvurun.

- Tetiği 6 bırakın.
- Tetikleme sistemini kilitleyin (Bakınız: “Tetikleme sisteminin kilitlemesi”) ve aküyü 8 çıkarın.
- Magazini 12 boşaltın. (Bakınız: “Magazinin boşaltılması”)
- Germe kolunu 3 atma kanalı açılacak biçimde aşağı bastırın.
- Sıkışan çiviği çıkarın. Gerekirse bir pense kullanın.
- Atma kanalını kapatın, germe kolu tutamağını 3 atma kanalındaki kancaya takın ve germe kolunu tekrar yukarı bastırın.
- Magazini tekrar doldurun. (Bakınız: “Magazinin doldurulması”)

İş parçası koruyucusunun değiştirilmesi (Bakınız: Şekil G)

İş parçası koruyucusu 1 tetikleme emniyetinin sonunda 2 elektrikli el aleti çakma işlemi için doğru biçimde yerleştirilinceye kadar iş parçasını korur.

İş parçası koruyucusu çıkarılabilir ve değiştirilebilir.

- İş parçası koruyucusunu tetikleme emniyetinden çekin.
- Yeni iş parçası koruyucusunun açık ucunu tetikleme emniyeti üzerine itin.

Not: Yedek bir iş parçası koruyucusu magazinin 12 üst tarafında saklanabilir. Bunu yapmak için iş parçası koruyucusunu depoya 10 itin.

Taşıma ve saklama

Özellikle merdiven kullanırken vevay olağan dışı beden pozisyonlarında hareket ederken, elektrikli el aletini taşımak üzere tetikleme sistemini kilitleyin (Bakınız: “Tetikleme sisteminin kilitlemesi”).

Çalışma yerinde elektrikli el aletini her zaman tutamaktan 9 tutarak ve tetik 6 basılı değilken taşıyın.

Elektrikli el aletini her zaman aküden ayrılmış olarak kuru ve ılık bir yerde saklayın.

Elektrikli el aleti uzun süre kullanılmayacaksa aletin çelik parçalarının üzerini ince bir yağla yağlayın. Bu yolla paslanmayı önlersiniz.

Bakım ve servis**Bakım ve temizlik**

Aletin kendinde bir ayarlamaya yapmadan, aksesuar parçası değiştirmeden veya işiniz bitip elektrikli el aletini elinizden bırakmadan önce tetikleme sistemini kilitleyin ve aküyü çıkarın. Bu önlem sayesinde elektrikli el aletinin istenmeden çalışmasını önlersiniz.

- İyi ve güvenli çalışabilmek için elektrikli el aletini ve havalandırma deliklerini daima temiz tutun.

Sadece Türkiye için geçerlidir: Rapid genel olarak yedek parçaları 7 yıl hazır tutar.

Bakım planı

Magazini 12 temizleyin. Çalışma esnasında magazin içinde birikebilen plastik ve ahşap talaşlarını temizleyin.

Elektrikli el aletini düzenli aralıklarla basınçlı hava yardımı ile temizleyin.

Nakliye

Alet içindeki lityum iyon (Li-Ion) aküler tehlikeli madde taşıma yönetmeliği hükümlerine tabidir. Aküler başka bir yükümlülük olmaksızın kullanıcı tarafından caddeler üzerinde taşınabilir.

Üçüncü kişiler eliyle yollanma durumunda (örneğin hava yolu ile veya nakliye şirketleri ile) paketleme ve etiketlemeye ilişkin özel hükümlere uyulmalıdır. Bu nedenle gönderi paketlenirken bir tehlikeli madde uzmanından yardım alınmalıdır. Aküleri sadece ve ancak gövdelerinde hasar yoksa gönderin.

Açık kontakları kapatın ve aküyü ambalaj içinde hareket ettirmeyecek biçimde paketleyin.

Lütfen olası ek ulusal yönetmelik hükümlerine de uyun

Tasfiye

Elektrikli el aletleri, aküler, aksesuar ve ambalaj malzemesi çevre dostu yeniden kazanım merkezine gönderilmek zorundadır.

Elektrikli el aletlerini, şarj cihazlarını ve aküleri/bataryaları evsel çöplerin içine atmayın!

Sadece AB üyesi ülkeler için:

2012/19/EU yönetmeliği uyarınca kullanım ömrünü tamamlamış elektrikli el aletleri ve 2006/66/EC yönetmeliği uyarınca anızalı veya kullanım ömrünü tamamlamış aküler/ bataryalar ayrı ayrı toplanmak ve çevre dostu tasfiye için bir geri dönüşüm merkezine gönderilmek zorundadır.



Isaberg Rapid AB. Metallgatan 5,
330 27 HESTRA, SWEDEN
www.rapid.com

BN50/BN64 Cordless Brad Nailer Original Instructions